



# INSTANT FLOW® MICRO MIX™ - LOW FLOW

**APPLICATION:** commercial, industrial, public lavatories, kitchen/bar sink

## PRODUCT FEATURES

- The combination of any Chronomite IAPMO certified microprocessor instantaneous water heater and the Chronomite IAPMO certified mixing valve assembly AP-12, when installed per the instructions, complies with ASSE 1070-2004. Reference IAPMO R&T Certificate no. 7257. Regulation pertaining to limiting risk of scalding.
- Uses a digital microprocessor for temperature control  
Ultra quick response times for temperature variations - 120 times per second. Microprocessor use is the most energy efficient means of heating water
- Unlimited hot water
- Saves water and energy - 99% energy efficient
- Vandal resistant rugged cast aluminum housing
- Works with low flow application
- Space saving compact size:  
6-1/4" (H) x 9-5/8" x 2-3/4"
- Meets applicable building codes including ADA, UL, IAPMO, UPC.
- Environmentally friendly
- Made in the U.S.A.

Chronomite Instant Flow® Micro Mix - Low Flow models are manufactured to provide reliable point-of-use hot water at 0.5 gallon per minute with a minimum pressure of 25 PSI.

The **AP-12 valve assembly** consists of IAPMO certified mixing valve, appropriate piping and fittings. Reference IAPMO R & T certificate #7257

**Housing** is fabricated from rugged cast aluminum alloy.

**Element assembly** is fabricated from Celcon plastic.

**Coils** are Nichrome.

**Faucet flow control and compression fittings** are supplied with each unit.

MODEL	BREAKER SIZE (AMPS)	VOLTAGE	WATTS	TEMP RISE @ 0.5 GPM
M-15L/277-MM	15	277	4,155	57°F
M-20L/120-MM	20	120	2,400	33°F
M-20L/208-MM	20	208	4,160	57°F
M-20L/240-MM	20	240	4,800	65°F
M-20L/277-MM	20	277	5,540	75°F
M-30L/120-MM	30	120	3,600	49°F

**For the model being selected, please place the corresponding amps and volts values in the Guide Specifications to the right.**



Instant Flow® Micro Mix - Low Flow

## GUIDE SPECIFICATION

Tankless Water Heater shall be a Chronomite Laboratories Model

**M -  L /  - MM**      **104°F**  
AMPS                      VOLTS

with  Amps and  Volts

to heat 0.5 gpm to a preset temperature of:

- 104°F
- Other temperature settings available upon request (specify below)

Unit shall be provided with, microprocessor, Celcon waterways, Nichrome heating coils, and an IAPMO certified AP-12 Mixing Valve Assembly meeting ASSE 1070-2004 compliancy. Hot water storage vessel and simple analog temperature controller are expressly prohibited.

## OPTIONAL HOUSING FINISH

- PA 765 ABS (P)
- Satin Finish Stainless Steel (SS)
- High Polish Finish Stainless Steel (SSP)

eg. Model M-30L/120-MM with 30 Amps, 120 Volts heat 0.5 gpm to preset temperature of 104°F.



Member of U.S. Green Building Council



Water Conserving Product



Made in the USA

Complies with Standards for:



## CHRONOMITE LABORATORIES, INC.

Acorn Family of Companies

17451 Hurley St. :: City of Industry, CA 91744  
 Phone 800-447-4962 :: 626-937-4270  
 Fax 626-937-4279 :: www.chronomite.com

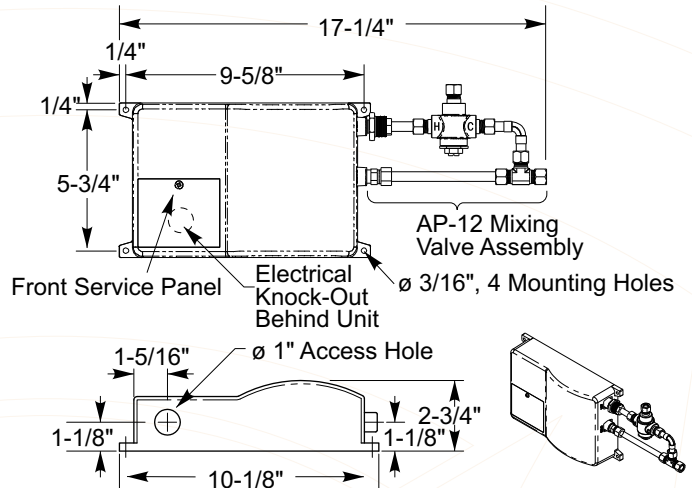


# INSTANT FLOW® MICRO MIX™ - LOW FLOW

## TECHNICAL DIMENSIONS

### INSTANT FLOW® MICRO MIX™ - LOW FLOW

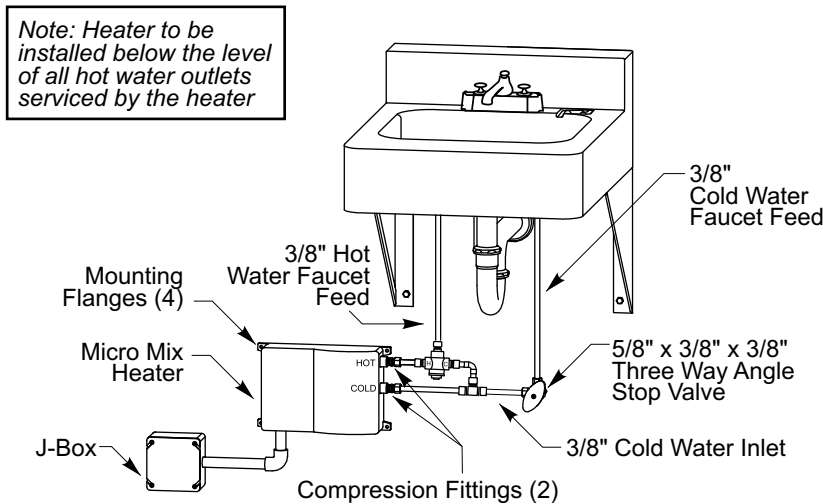
Dimensions:	6-1/4" (H) x 9-5/8" x 2-3/4"
Weight:	6 lbs.
Materials:	Rugged cast aluminum housing, Celcon plastic element assembly with Nichrome coils and AP-12 mixing valve assembly
Housing Color:	White
Minimum Operating Flow Rate:	0.4 GPM
Minimum Operating Pressure:	25 PSI
Maximum Operating Pressure:	150 PSI
Maximum Operating Temperature:	140°F
Listing:	UL, IAPMO, UPC, ADA



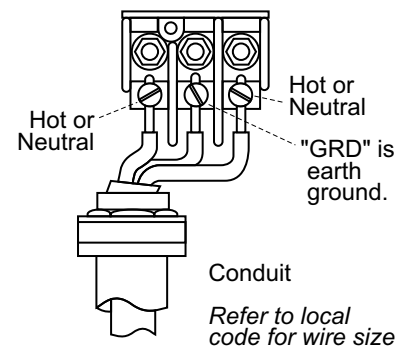
- **GENERAL NOTES:**
- The microprocessor adjusts the heater's power for variations in flow rates, inlet water temperature and pressure to assure the selected factory preset water temperature.
- 240V models when operated at 220V will have approximately a 15% wattage decrease.

- Microprocessor limits temperature increase according to the pre-selected temperature.
- The combination of Chronomite's IAPMO certified instantaneous water heater and the Chronomite's IAPMO certified valve assembly AP-12, when installed per the instructions, complies with ASSE 1070. Reference: IAPMO R&T Certificate no. 7257.

## INSTALLATION DIAGRAM



## WIRING CONNECTION



**ATTENTION:**  
Unit must be hard wired.  
NOTE: Heaters are single phase.  
All tests are measured at the output of the heater.

Chronomite Laboratories assumes no responsibility for use of void or suspended data.

© Copyright Chronomite Laboratories, Inc. City of Industry, CA Please visit [www.chronomite.com](http://www.chronomite.com) for most current specifications.

SELECTION SUMMARY  
& APPROVAL FOR  
MANUFACTURING

Company \_\_\_\_\_

Model Number & Options \_\_\_\_\_ Quantity \_\_\_\_\_

Contact \_\_\_\_\_ Title \_\_\_\_\_

Signature (Approval for Manufacturing) \_\_\_\_\_ Date \_\_\_\_\_

**CHRONOMITE**  
LABORATORIES, INC.

Acorn Family of Companies

PH. 800-447-4962

626-937-4270

FAX 626-937-4279

[www.chronomite.com](http://www.chronomite.com)