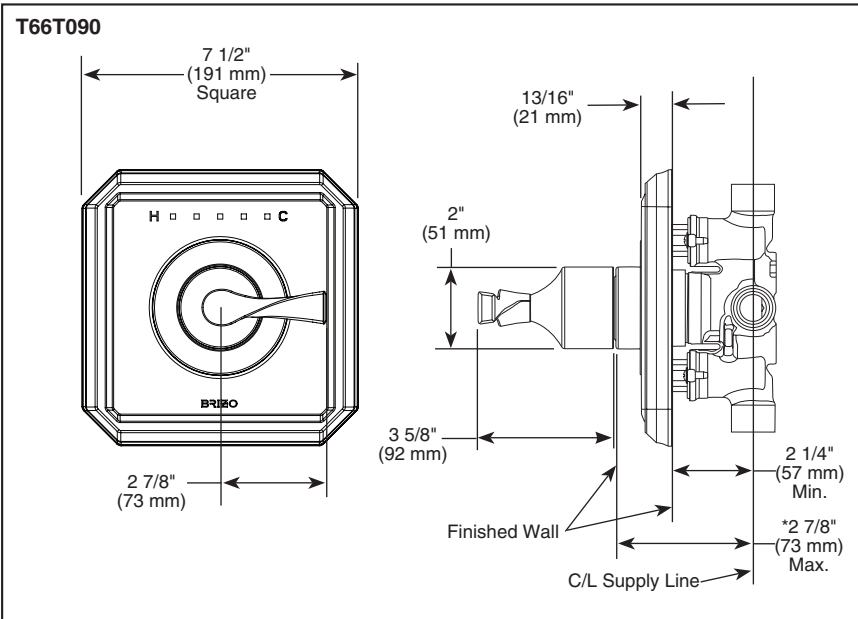
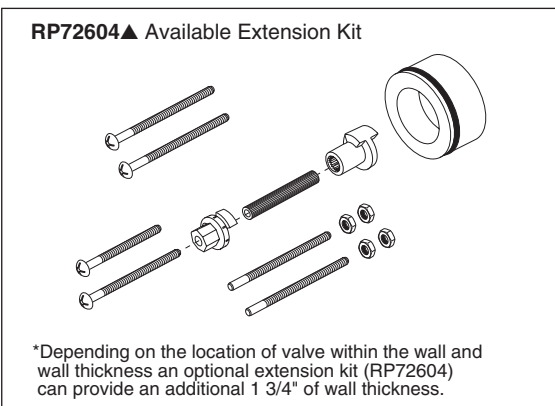


Submitted Model No.: _____

Specific Features: _____



▲ Designate proper finish suffix



BRIZO® SENSORI® CUSTOM SHOWER TRIM

- Virage® Collection
- Thermostatic Control Trim

FEATURES:

- Sensori® thermostatic control

STANDARD SPECIFICATIONS

- Must also order R66000-WS rough valve body
- Includes Sensori® thermostatic cartridge
- Thermostatic wax element maintains the outlet temp to +/- 3.6° F
- Handle controls temperature only; must be used with one or more Sensori® volume controls
- Field adjustable to limit rotation into hot water zone
- All parts are replaceable from the front of the valve
- Adjusts for up to 5/8" wall thickness

WARRANTY

- Lifetime limited warranty on parts (other than electronic parts and batteries) and finishes; or, for commercial users, for 5 years from date of purchase.
- 5 year limited warranty on electronic parts (other than batteries); or, for commercial users, for 1 year from the date of purchase. No warranty is provided on batteries.

COMPLETE VALVE COMPLIES WITH:

- ASME A112.18.1 / CSA B125.1
-  ICC/ANSI A117.1 - Valve control only
- ASSE 1016 Type T