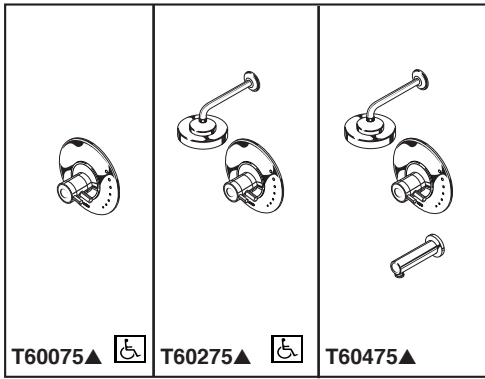


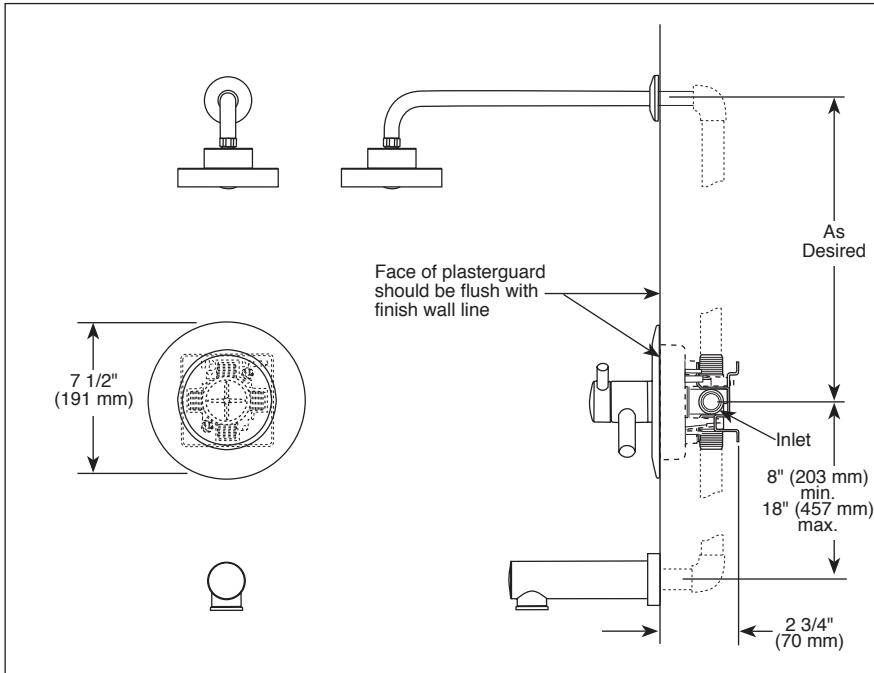
# BRIZO®

## TUB AND SHOWER FAUCET TRIM



Submitted Model No.: \_\_\_\_\_

Specific Features: \_\_\_\_\_



### STANDARD SPECIFICATIONS:

- TempAssure® 60 series thermostatic valve cartridge.
- Thermostatic wax element maintains the outlet temperature to  $\pm 3.6^\circ\text{F}$ .
- Must also order MultiChoice® Universal rough valve body (R60000 Series).
- Back-to-back installation capability.
- Lever volume control handle; temperature adjustment dial.
- Graphics indicate hot/cold temperature adjustment.
- Field adjustable to limit handle rotation into hot water zone.
- All parts replaceable from the front of the valve.
- Adjusts for up to 1" wall thickness.

### WARRANTY

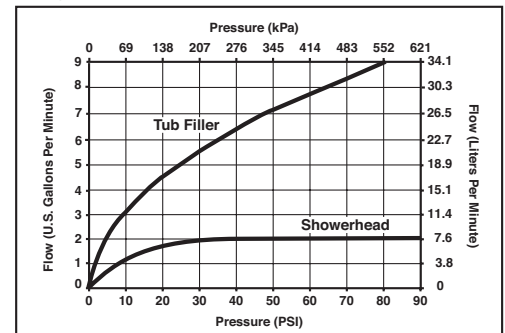
- Lifetime limited warranty on parts (other than electronic parts and batteries) and finishes; or, for commercial users, for 5 years from date of purchase.
- 5 year limited warranty on electronic parts (other than batteries); or, for commercial users, for 1 year from the date of purchase. No warranty is provided on batteries.



### COMPLIES WITH:

- ASME A112.18.1 / CSA B125.1
- ASSE 1016
- Indicates compliance to ICC/ANSI A117.1 - Valve control only.
- EPA WaterSense®

Using R60000-UNBX:

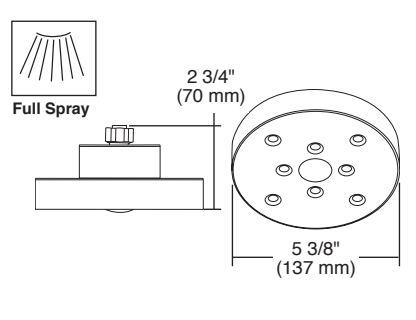


For additional flow rate information reference the Brizo price book.

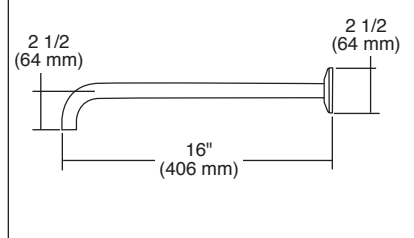
### Delta Faucet Company

Indianapolis, Indiana 46280  
A Division of Masco Corporation of Indiana  
© 2014 Masco Corporation of Indiana

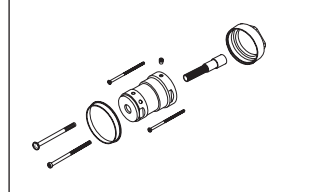
87375▲ Showerhead



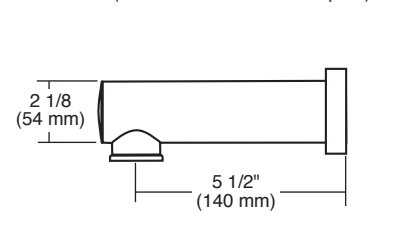
RP71648▲ Shower Arm & Flange



RP74785 Available Extension Kit



RP54874▲ (Pull-Down Diverter Tub Spout)



▲ Designate proper finish suffix

Delta reserves the right (1) to make changes in specifications and materials, and (2) to change or discontinue models, both without notice or obligation. Dimensions are for reference only. See current full-line price book or [www.brizo.com](http://www.brizo.com) for finish options and product availability.

BSP-B-T60075 Rev. F