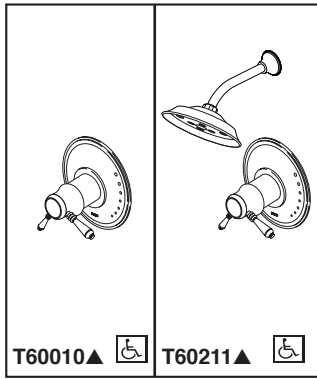


BRIZO®

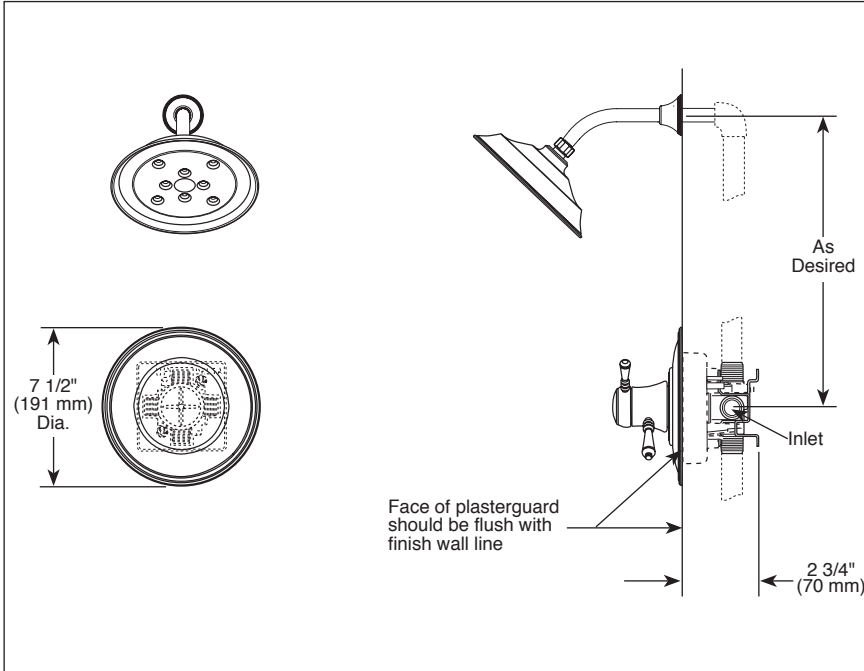
SHOWER FAUCET TRIM

- Traditional Bath Collection
- Valve Only (T60010▲)
- Shower Only (T60211▲)



Submitted Model No.: _____

Specific Features: _____



FEATURES:

- TempAssure® thermostatic valve cartridge

STANDARD SPECIFICATIONS:

- Thermostatic wax element maintains the outlet temperature to $\pm 3.6^{\circ}\text{F}$
- Must also order MultiChoice® Universal rough valve body (R60000 Series)
- Back-to-back installation capability
- Lever volume control handle; temperature adjustment lever
- Graphics indicate hot/cold temperature adjustment
- Field adjustable to limit handle rotation into hot water zone
- All parts replaceable from the front of the valve
- Adjusts for up to 1" wall thickness, optional extension kit (RP74785) extends wall thickness up to an additional 1 3/4".
- Single function showerhead; 2.0 gpm @ 80 psi, 7.6 L/min @ 550 kPa

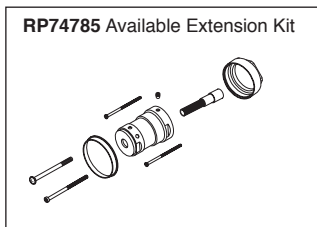
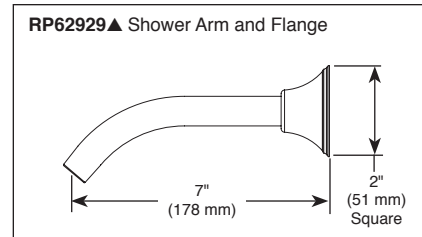
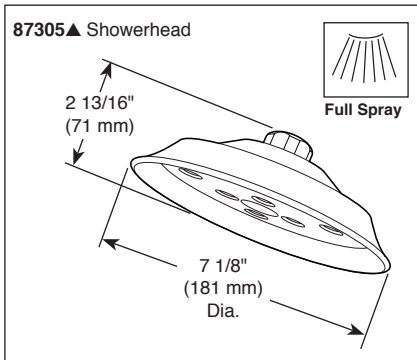
WARRANTY

- Lifetime limited warranty on parts (other than electronic parts and batteries) and finishes; or, for commercial users, for 5 years from date of purchase.
- 5 year limited warranty on electronic parts (other than batteries); or, for commercial users, for 1 year from the date of purchase. No warranty is provided on batteries.

COMPLIES WITH:

- ASME A112.18.1 / CSA B125.1
- ASSE 1016

☒ Indicates compliance to ICC/ANSI A117.1 - Valve control only



▲ Designate proper finish suffix