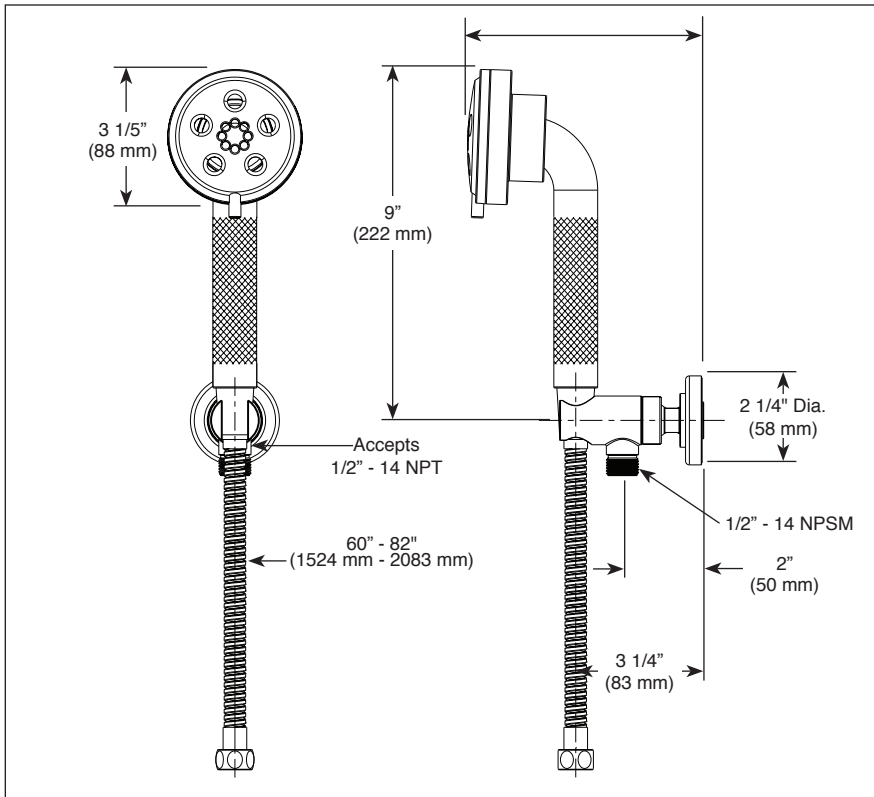


88835-▲



Submitted Model No.: \_\_\_\_\_

Specific Features: \_\_\_\_\_

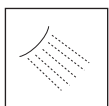


▲ Designate finish suffix

**Spray Pattern**



H<sub>2</sub>Okinetic Technology®



Massaging Spray



Pause

- ◆ Your Brizo Faucet hand shower incorporates a backflow protection system that has been tested to be in compliance with ASME A112.18.3. It incorporates two certified check valves in series, which operate independently and are integral, non-serviceable parts of the wand assembly.

# BRIZO®

## ON-WALL HANDSHOWER

■ Litze™ Bath Collection

**FEATURES:**

- Single function handshower featuring H<sub>2</sub>Okinetic Technology®

**STANDARD SPECIFICATIONS:**


- Maximum 2.00 gpm @ 80 psi, 7.60 L/min @ 550 kPa
- Certified dual check valves for backflow prevention.
- 60-82" (1524mm-2083 mm) stretchable finished metal hose.
- Wall mount bracket with integrated elbow included.

**WARRANTY**

- Lifetime limited warranty on parts (other than electronic parts and batteries) and finishes; or, for commercial users, for 5 years from date of purchase.
- 5 year limited warranty on electronic parts (other than batteries); or, for commercial users, for 1 year from the date of purchase. No warranty is provided on batteries.



**COMPLIES WITH:**

- ASME A112.18.1 / CSA B125.1 ◆
-  Indicates compliance to ICC/ANSI A117.1
- EPA WaterSense®

Brizo Kitchen & Bath Company reserves the right (1) to make changes in specifications and materials, and (2) to change or discontinue models, both without notice or obligation. Dimensions are for reference only. See current full-line price book or www.brizo.com for finish options and product availability.