

Submitted Model No.: _____

Specific Features: _____

BRIZO®

HYDRATI® 2|1 SHOWER

- 2|1 Shower
- Push Button Selection

FEATURES:

- H₂Okinetic® Technology
- MagnaDock® Technology

STANDARD SPECIFICATIONS:

- Maximum 2.5 gpm @ 80 psi, 9.5 L/min @ 550 kPa
- Showerhead and handshower all in one
- 3-way diverter - showerhead only, handshower only, and combo
- Integrated handshower docks securely into showerhead with MagnaDock® technology
- Four -setting push button handshower
- 60" (1524 mm) stretchable finished metal hose stretches to 82" (2083 mm) for extra reach
- For use with automatic compensating valves rated at 1.5 gpm (5.7 L/min) or less

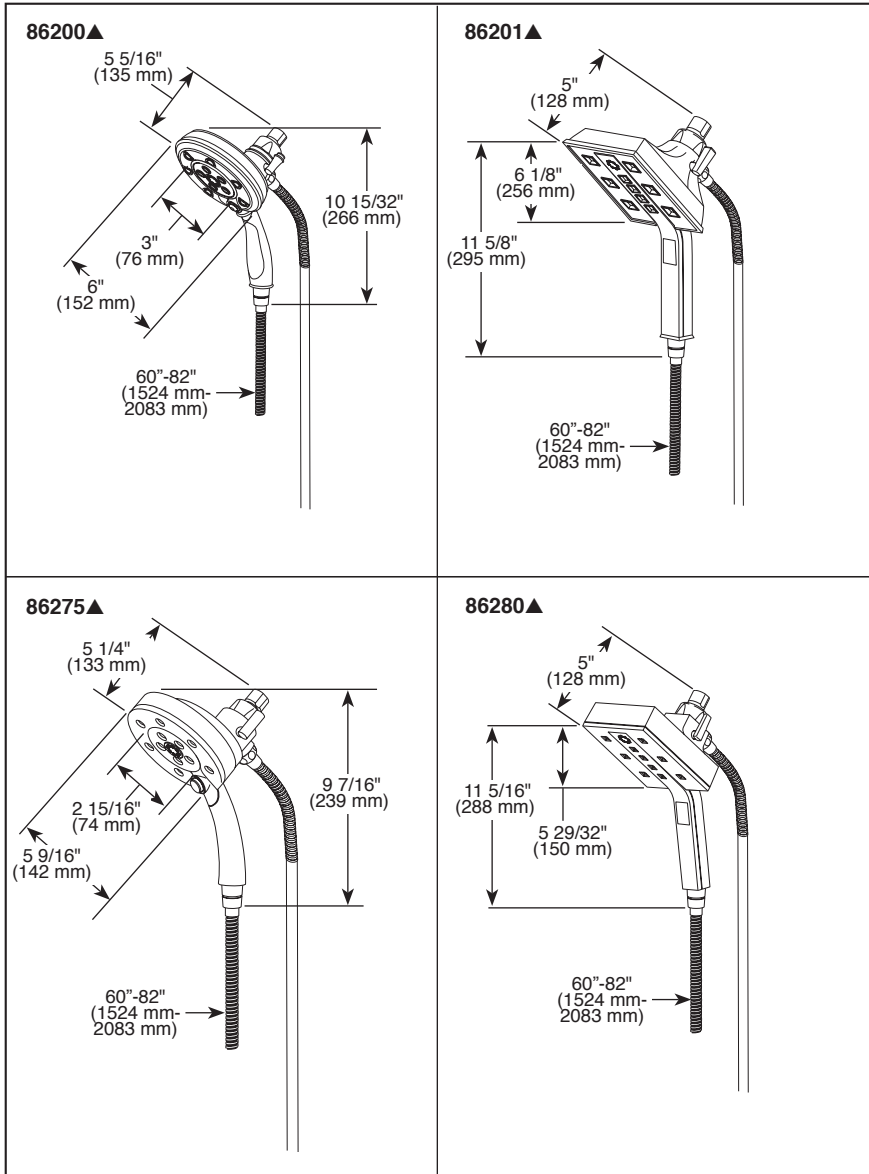
WARRANTY

- Lifetime limited warranty on parts (other than electronic parts and batteries) and finishes: or, for commercial users, for 5 years from date of purchase.
- 5 year limited warranty on electronic parts (other than batteries); or, for commercial users, for 1 year from the date of purchase. No warranty is provided on batteries.

COMPLIES WITH:

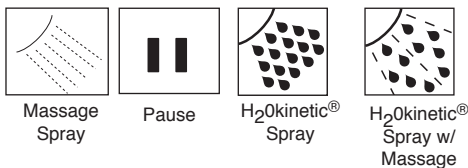
- ASME A112.18.1 / CSA B125.1 ◆
- ☑ Indicates compliance to ICC/ANSI A117.1

- ◆ Your Delta Faucet handshower incorporates a backflow protection system that has been tested to be in compliance with ASME A112.18.3 and ASME A112.18.1/CSA B125.1. It incorporates two certified check valves in series, which operate independently and are integral, non-serviceable parts of the wand assembly.



▲ Designate proper finish suffix

Spray Patterns



Massage Spray

Pause

H₂Okinetic® Spray

H₂Okinetic® Spray w/ Massage

Brizo reserves the right (1) to make changes in specifications and materials, and (2) to change or discontinue models, both without notice or obligation. Dimensions are for reference only. See current full-line price book or www.brizo.com for finish options and product availability.

BSP-B-86200 Rev. B

Brizo Kitchen & Bath Company
Indianapolis, Indiana 46280
A Division of Masco Corporation of Indiana
© 2015 Brizo Kitchen & Bath Company