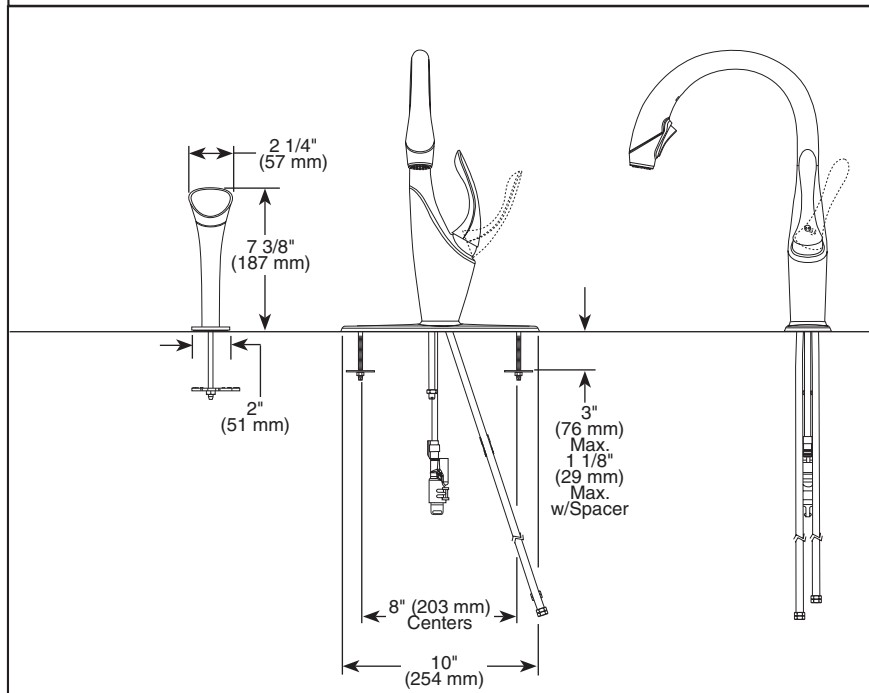
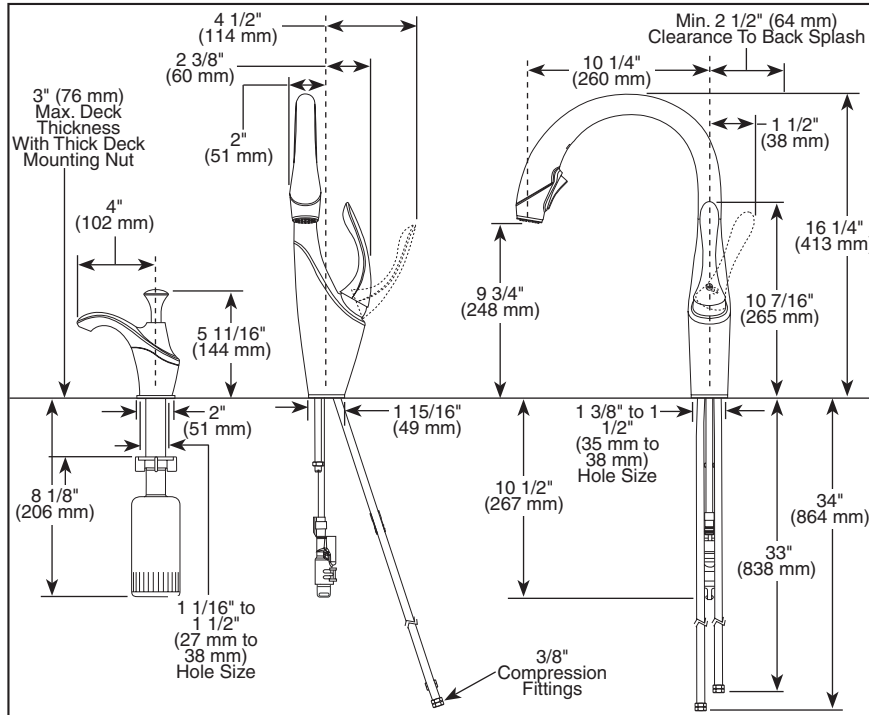


Submitted Model No.: _____
 Specific Features: _____



BRIZO® KITCHEN FAUCETS

- Vuelo™ Collection
- Single Handle Deck Mount
- 2-Function Pull-Down
- Single, 2, 3, or 4 Hole Sink Applications
- Centermount or 8" (203 mm) Centers w/ Optional 10" (254 mm) Escutcheon
- Optional Vase and Soap Dispenser
- MagneDock® Magnetic Docking

STANDARD SPECIFICATIONS:

- Single handle, 2-function pull-down kitchen faucets for mounting on single, two, three, and four hole sinks.
- 16 1/4" (413 mm) high, 10 1/4" (260 mm) long, spout swings 360°.
- Lever handle. Control mechanism shall be full-motion valve cartridge.
- Touch-Clean® sprayhead.
- Quick connect hoses.
- Pull-down wand operates in an aerated or spray mode via ergonomic button.
- Red/blue graphics on handle button to indicate hot/cold temperature.
- MagneDock® magnetic docking.
- Thin deck mounting aid to help secure product if used on thin sinks.
- Spacer for mounting nut to reduce number of turns required for installation.
- Mounting wrench to assist in tightening mounting nut securely.
- Hose travels inside mounting shank so it will not interfere with deck edges.

Note: See 63955LF for matching bar/prep.

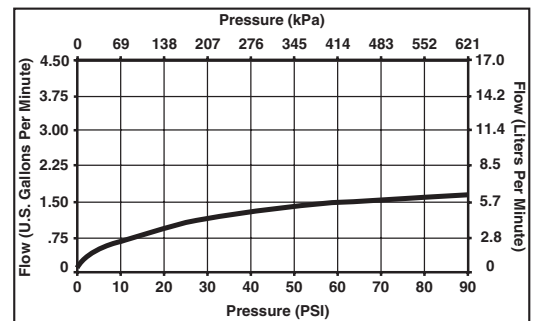
WARRANTY

- Lifetime Faucet and Finish Limited Warranty to the original consumer purchaser to be free from defects in material and workmanship.
- 5 Year Limited Warranty for usage in all industrial, commercial and business applications.



COMPLIES WITH:

- ASME A112.18.1 / CSA B125.1
- Indicates compliance to ICC/ANSI A117.1
- Verified compliant with .25% weighted average Pb content regulations.



▲ Designate proper finish suffix

Delta reserves the right (1) to make changes in specifications and materials, and (2) to change or discontinue models, both without notice or obligation. Dimensions are for reference only. See current full-line price book or www.brizo.com for finish options and product availability.

BSP-K-63055LF Rev. A

Delta Faucet Company
 Indianapolis, Indiana 46280
 A Division of Masco Corporation of Indiana
 © 2011 Masco Corporation of Indiana