

For Residential and Commercial Applications

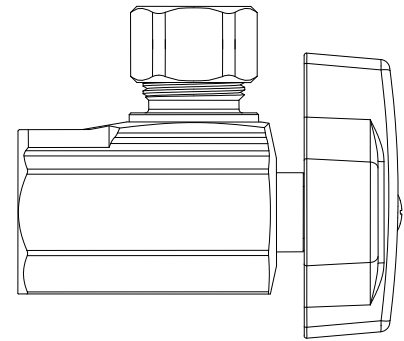
Job Name		Engineer / Architect	
Job Location		Wholesaler	
Submittal Date		Contractor	

KTR07/ KTR15/ KTR17/ KTR37 1/4 Turn Angle Ball Stop – Female Iron Pipe x Compression

Use: For use with water in accessible locations only.

Design Features:

- **Precision-machined brass ball** is specially engineered and mated with PTFE seats to provide smooth operation without freeze ups even after long periods of non-use
- **Two high-performance O-rings** withstand high temperatures and corrosion from harsh water environments
- **Machined, extruded brass body** provides strength, durability, and long-lasting performance
- **Blow-out-proof brass stem** is assembled from the inside out with two O-rings to ensure safe, reliable performance
- **Plated stem** provides corrosion resistance and prevents o-ring damage after long periods of non-use
- **Exclusive, chrome-plated metal handle** is designed for durability, corrosion resistance, & a sleek appearance
- **Easy-to-remove handle** with screw attachment protects accidental stop operation during rough-ins
- **100% leak tested**
- **100% compliant product** available



Operating Specifications:

Temperature: 40°- 180° F
Pressure: 125 PSI maximum

Standard

MATERIAL SPECIFICATIONS	
Valve Body	<i>Brass, chrome-plated</i>
Stem	<i>Brass, plated</i>
Seats	<i>PTFE</i>
Ball	<i>Brass, precision-machined</i>
Stem O-rings	<i>Viton* & Nitrile</i>
Handle	<i>Zinc die-cast, chrome-plated</i>
Handle Screw	<i>Steel, zinc-plated</i>
Compression Sleeve	<i>Brass</i>
Compression Nut	<i>Brass, chrome-plated</i>

Compliant

MATERIAL SPECIFICATIONS	
Valve Body	<i>Compliant brass, chrome-plated</i>
Stem	<i>Compliant brass, plated</i>
Seats	<i>PTFE</i>
Ball	<i>Compliant brass, precision-machined</i>
Stem O-rings	<i>Viton* & Nitrile</i>
Handle	<i>Zinc die-cast, chrome-plated</i>
Handle Screw	<i>Steel, zinc-plated</i>
Compression Sleeve	<i>Brass</i>
Compression Nut	<i>Brass, chrome-plated</i>

*Viton is a registered trademark of DuPont Dow Elastomers, L.L.C.

This specification and all information contained herein is the confidential and exclusive property of BrassCraft Manufacturing, and shall not be disclosed to others without the written consent of BrassCraft. This specification must be returned to BrassCraft if requested.



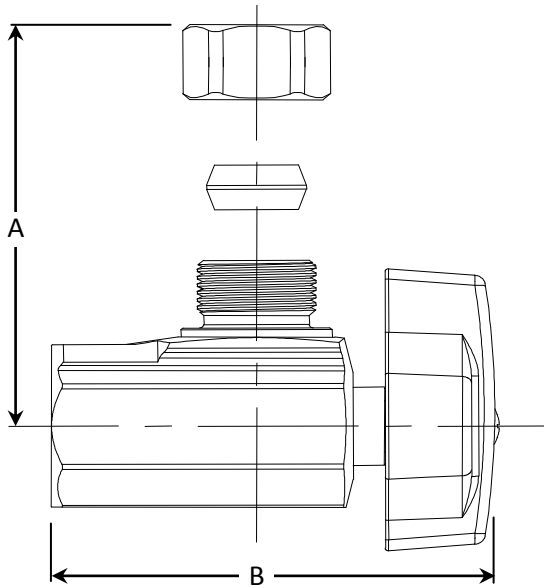
KTR07/ KTR15/ KTR17/ KTR37 1/4 Turn Angle Ball Stop – Female Iron Pipe x Compression

Standard Part Listing:

- KTR15 C 3/8" FIP x 3/8" OD compression, chrome plated
- KTR15 C1 3/8" FIP x 3/8" OD compression, chrome plated, window tray
- KTR07 C 1/2" FIP x 1/4" OD compression, chrome plated
- KTR17 C 1/2" FIP x 3/8" OD compression, chrome plated
- KTR17 C1 1/2" FIP x 3/8" OD compression, chrome plated, window tray
- KTR37 C 1/2" FIP x 1/2" OD compression, chrome plated

Compliant Part Listing:

- KTR07X C 1/2" FIP x 1/4" OD compression, chrome plated
- KTR15X C 3/8" FIP x 3/8" OD compression, chrome plated
- KTR15X C1 3/8" FIP x 3/8" OD compression, chrome plated, window tray
- KTR17X C 1/2" FIP x 3/8" OD compression, chrome plated
- KTR17X C1 1/2" FIP x 3/8" OD compression, chrome plated, window tray
- KTR37X C 1/2" FIP x 1/2" OD compression, chrome plated



PART DIMENSIONS (Inches)		
Model	DIM. A	DIM. B
KTR07	1.14	2.13
KTR15	1.20	2.06
KTR17	1.20	2.13
KTR37	1.32	2.13

Listings & Certifications:

- IAPMO listed to ASME A112.18.1 / CSA B125.1 (File # 0645)
- CSA listed to ASME A112.18.1 / CSA B125.1 (File # 204593)
- Compliant product CSA approved to California Health & Safety Code 116875 and Vermont Bill S.152 (Project # 2174785)



This specification and all information contained herein is the confidential and exclusive property of BrassCraft Manufacturing, and shall not be disclosed to others without the written consent of BrassCraft. This specification must be returned to BrassCraft if requested.

BrassCraft®