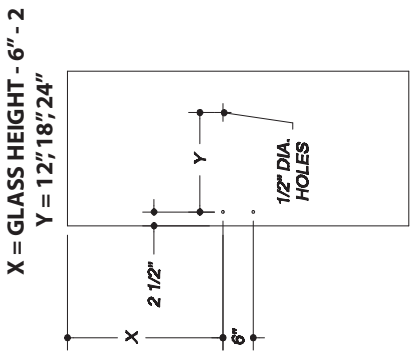


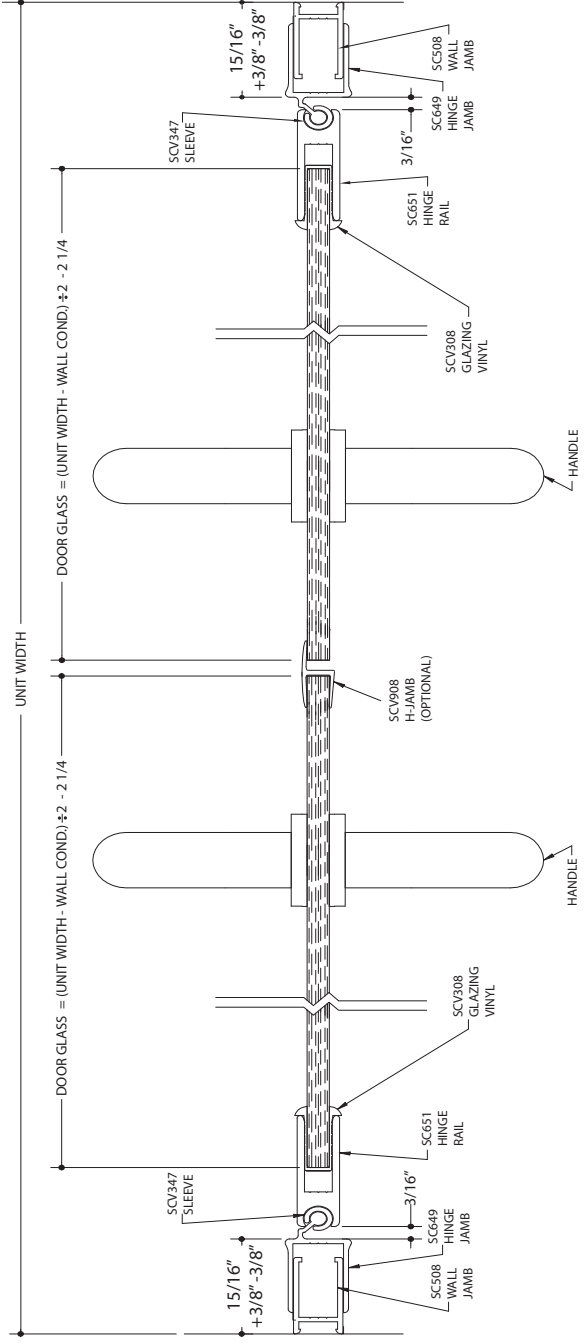
**VERTICAL CROSS SECTION**



**DOOR GLASS DETAIL**  
HINGE RIGHT SHOWN  
REVERSE FOR HINGE LEFT

**NOTES**

1. THE SC4030 STRIKE JAMB MAGNET SHOULD BE CENTERED IN THE JAMB WITH SCV314 JAMB SEAL VINYL ABOVE AND BELOW IT (SEE DETAIL).
2. TOWEL BAR ASSEMBLIES ARE AVAILABLE IN 12", 18" & 24" SIZES. ALL SIZES ARE MEASURED CENTER TO CENTER OF THE MOUNTING HOLES.



**HORIZONTAL CROSS SECTION**

**NOTE:** GLAZING MATERIAL FOR ALL KD UNITS AND GLAZED UNITS MUST CONFORM TO ANSI Z97.1 AND CPSC STANDARD 16 CFR 1201 CATEGORY I AND II.

REV. #1  
DATE:06/20/07

| SERIES     | UNIT | GLASS HEIGHT | DOOR GLASS          |
|------------|------|--------------|---------------------|
| 1422       | 1422 | 66-3/16      | WIDTH AS DETERMINED |
| 1722       | 1722 | 69-11/16     |                     |
| 1822       | 1822 | 73-11/16     |                     |
| INFINITY   |      |              |                     |
| FRAMLESS   |      |              |                     |
| CONT.HINGE |      |              |                     |

**BESCO®**  
SHOWER ENCLOSURES  
7201 Snider Road - Mason, Ohio 45040  
Phone (513) 573-1900 Toll Free 1-800-543-1938