

AQUAGLASS

SPECIAL CARE

MODEL NUMBER: **636437B**

64x37 ADA Compliant* Shower

Dimensions: L64" x W36-
1/2" x H84"
Weight: 225 lbs.

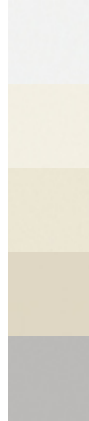
Standard Colors:

- 00 White
- 04 Biscuit
- 01 Bone
- 02 Dark Bone
- 03 Light Gray

Horizontal Grab Bars: Valve wall - 24"
Back wall - 32"

Drain: Center

Valve: Right Offset
Back Wall



****Shown is 636437B-L Model (left bars) ****

Standard Features

- Textured bottom
- 2 Stainless steel grab bars

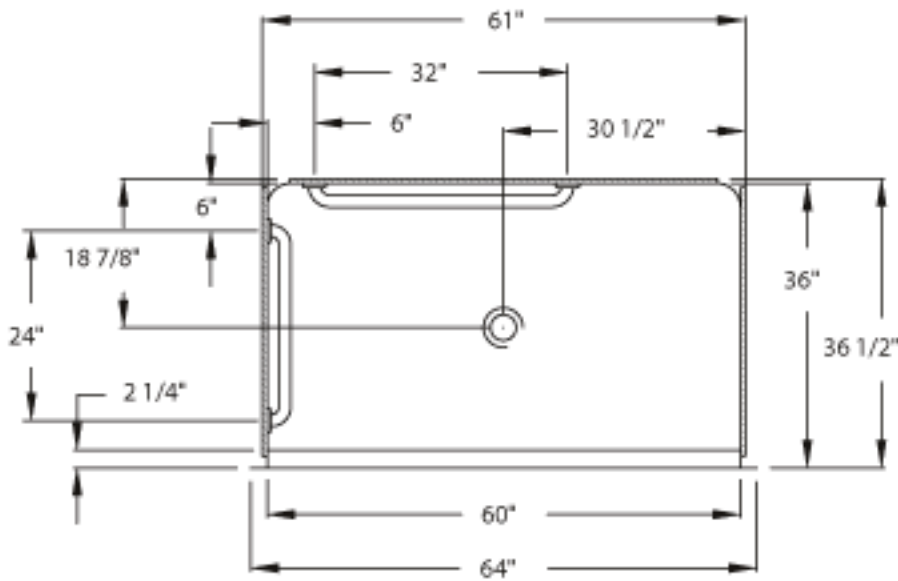
Add-On Options

- Alsons and Delta Fixtures (ALSDEL)
- Grohe Fixtures (GROHE)
- Delta Alsons Package - White (ALW1)
- Delta Alsons Package - Stainless Steel (ALW2)
- Polished Chrome Dome Light (5515)
- Polished Brass Dome Light (6015)
- White Curtain Rod (2852)
- Bone Curtain Rod (2872)
- White Curtain (2833)
- Bone Curtain (2838)
- White Seat (RH 5025)
- Wood Grain Seat (RH 60023)
- Ramp (MR65912C)
- Collapsible Threshold

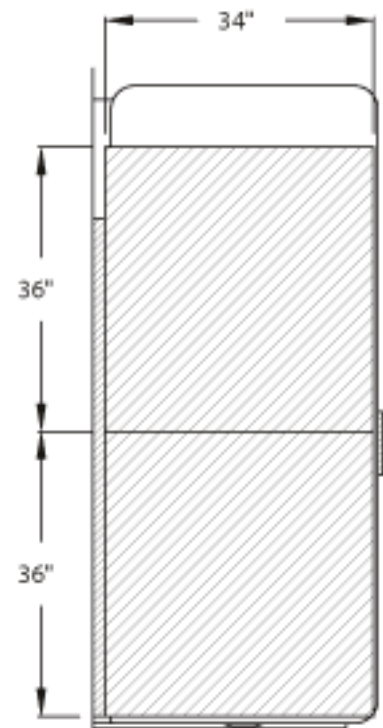
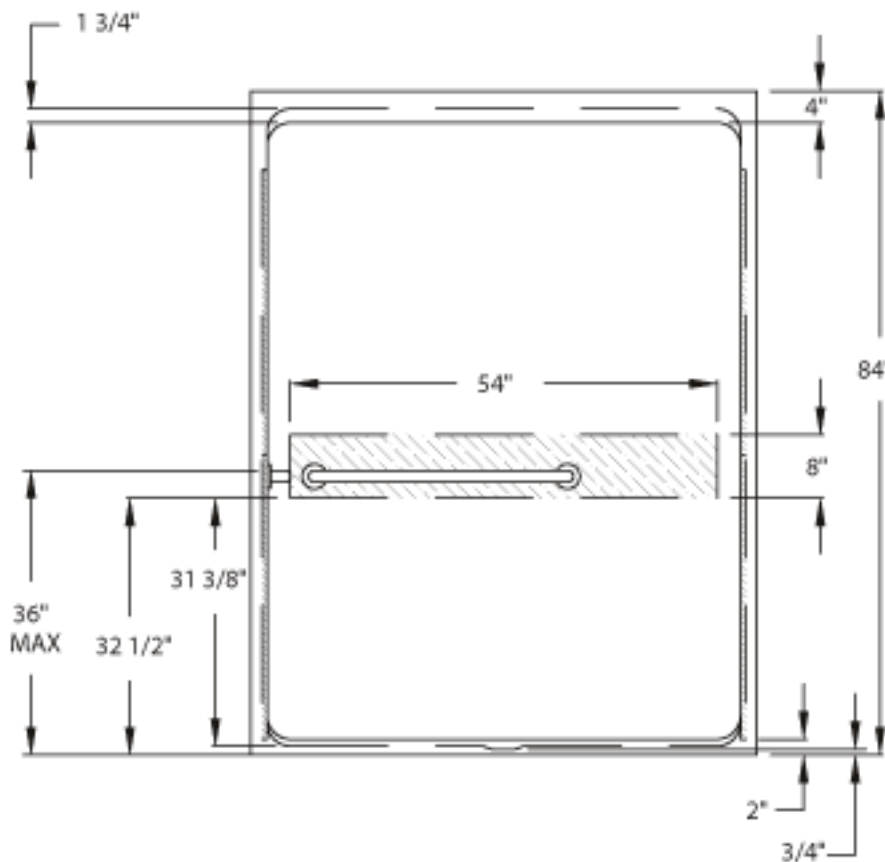
*Must be installed with optional seat to meet ADA compliance.



INFORMATION IN THIS DRAWING IS SUBJECT TO CHANGE WITHOUT NOTICE. NO PART OF THIS DRAWING MAY BE REPRODUCED OR TRANSMITTED IN ANY FORM OR BY ANY MEANS, ELECTRONIC OR MECHANICAL, FOR ANY PURPOSE WITHOUT THE WRITTEN PERMISSION OF AQUA GLASS CORPORATION.



TOP VIEW



SIDE VIEW

TOLERANCE: ±1/4	GAL. TO OVERFLOW: 0	GENERAL NOTES
REV: F	OPERATING CAPACITY: 0	
ECO NO.: 3132	DRAWN BY: JAJ LP032833.00	
ECO DATE: 6/11/10	FIN. INTERIOR: XX in ²	

AQUA GLASS®

320 INDUSTRIAL PARK RD.
ADAMSVILLE, TN 38310

PRODUCT OR PART NO.:

636437B-R/L

PRODUCT NAME

**ACRYLIC
SPECIAL
CARE**