

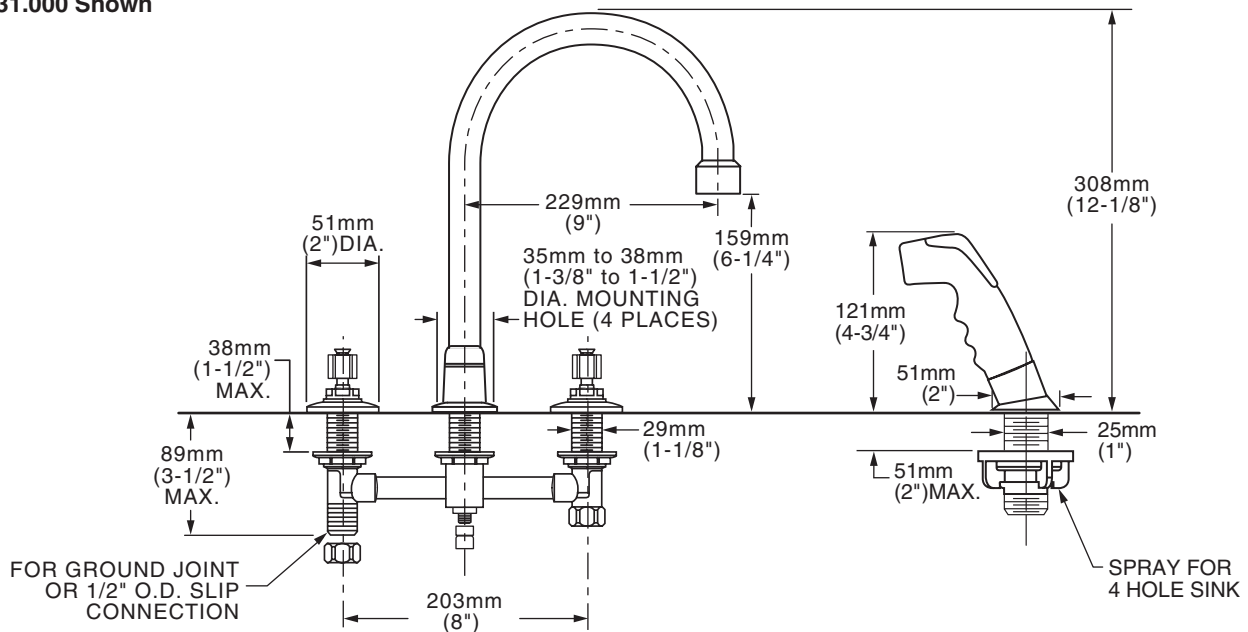


7231.000 Shown

MODEL NUMBER:

- ☐ **7231.000 Bottom-Mount Kitchen Faucet**
 Gooseneck swivel spout. Color-matched side spray.
 Less handles.
- ☐ **7230.000 Bottom-Mount Kitchen Faucet**
 Gooseneck swivel spout. Less spray. Less handles.

Handles must be ordered separately.



GENERAL DESCRIPTION:

Durable brass construction. Amarilis 1/4 turn washerless ceramic disc valve cartridges - reversible for use with either lever or round handles. One-half inch male inlet shanks with brass coupling nuts. Brass gooseneck swivel spout. 2.2gpm/8.3L/min. maximum flow rate.

PRODUCT FEATURES:

Ceramic Disc Valve Cartridges: Assures a lifetime of drip-free performance.

Brass Construction: Durable - Excellent in high use applications. Ideal for prolonged contact with water.

Low Lead: Meets NSF Standard 61/Section 9 & Prop 65 lead requirements.

Wide Selection of Handle Styles: Full range of interchangeable handle styles.

Choice of Finishes: Available in Polished Chrome or PVD Polished Brass.

SUGGESTED SPECIFICATION:

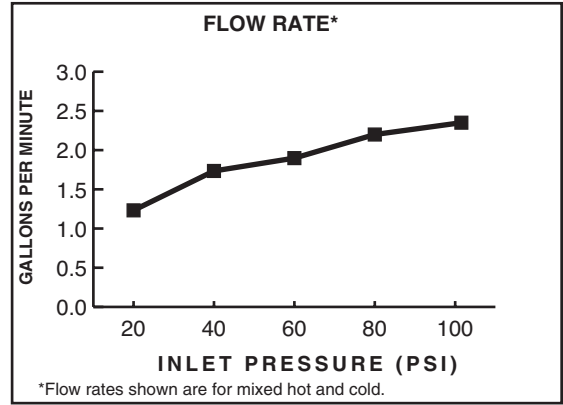
Two handle bottom-mount kitchen faucet shall feature brass construction with all brass coupling nuts. Shall also feature 1/4 turn washerless ceramic disc valve cartridges that are reversible for use with round or lever handles. Fitting shall be American Standard Model # _____ and handle kit # 0000._____.

**HERITAGE/AMARILIS
TWO-HANDLE BOTTOM-MOUNT KITCHEN FAUCET
WITH BRASS GOOSENECK SPOUT**

CODES AND STANDARDS

These products meet or exceed the following codes and standards:

- ASME A112.18.1**
- CSA B 125**
- NSF 61/Section 9**



Product Number	Description	Finish
		Polished Chrome 002
7231.000	Kitchen Faucet. Color-matched side spray. Less handles.	
7230.000	Kitchen Faucet. Less hand spray. Less handles.	

Handles must be ordered separately.

To order **Less Handles** - Specify: 4 digit Style number followed by three zeros and 3 digit finish number.
Example 7231.000.002 = Kitchen faucet with hand spray in Polished Chrome finish.

The above fittings will accept the following Amaris-Series handles.

442	432	552	542	372H 372V	342H 342V	902 912

MEETS THE AMERICANS WITH DISABILITIES ACT GUIDELINES AND ANSI A117.1 REQUIREMENTS FOR ACCESSIBLE AND USABLE BUILDING FACILITIES-CHECK LOCAL CODES