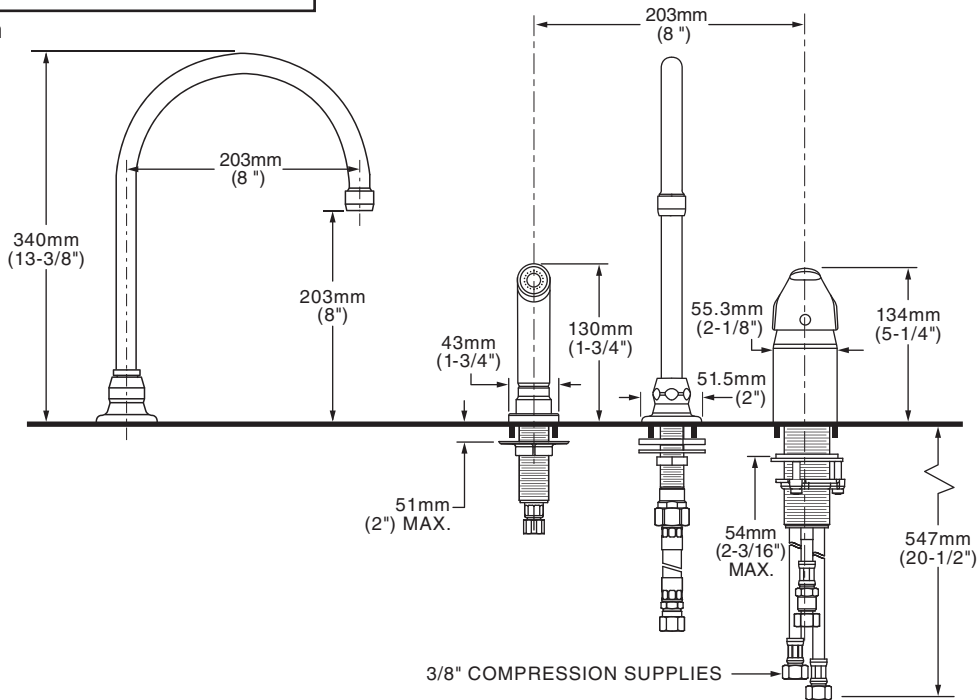




6114.381 Shown



MODEL NUMBER:

- 6114.381 Single Control Faucet with Remote Valve**
 Field-convertible rigid / swivel gooseneck spout with 8" reach. Metal lever handle with red/blue index. 1.5 gpm pressure compensating aerator. With color matched spray.
- 6114.380 Single Control Faucet with Remote Valve**
 Field-convertible rigid / swivel gooseneck spout with 8" reach. Metal lever handle with red/blue index. 1.5 gpm pressure compensating aerator. Less spray.

GENERAL DESCRIPTION:

Durable cast brass construction. Field-convertible rigid-swivel gooseneck spout with 8" reach. Ceramic disc valve cartridge. 16" long S.S. flex inlet hoses with 3/8" compression fittings. Metal lever handle with red/blue index. 1.5 gpm/5.7L/min. maximum flow rate.

PRODUCT FEATURES:

Pressure Compensating Aerator: Provides a constant water flow of 1.5 gpm throughout the pressure range.

Solid Brass Construction: Durable. Excellent in high use applications. Ideal for prolonged contact with water.

Ceramic Disc Valve Cartridge: Assures a lifetime of drip-free performance.

Field-Convertible Rigid / Swivel Gooseneck Spout

Lead Free: Faucet contains ≤ 0.25% total lead content by weighted average.

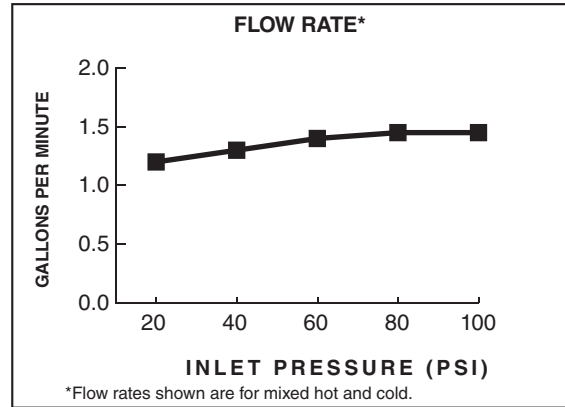
SUGGESTED SPECIFICATION:

Single control kitchen fitting shall feature a brass body with metal handle and brass field convertible rigid /swivel gooseneck spout with 8" reach. Shall also feature washerless ceramic disc valve cartridge with integral hot limit safety stop. Fitting shall be American Standard Model #6114.38_.002.

CODES AND STANDARDS

These products meet or exceed the following codes and standards:

- ASME A112.18.1
- CSA B 125
- NSF 61/Section 9, Annex G
- CALGreen



Product Number	Description	Finish
		Polished Chrome
		002
6114.381	Single Control Faucet with Remote Valve. Field-convertible 8" rigid / swivel spout with 8" reach. 1.5 gpm pressure compensating aerator. With color matched spray.	
6114.380	Single Control Faucet with Remote Valve. Field-convertible 8" rigid / swivel spout with 8" reach. 1.5 gpm pressure compensating aerator. Less spray.	

MEETS THE AMERICANS WITH DISABILITIES ACT GUIDELINES AND ANSI A117.1 REQUIREMENTS FOR ACCESSIBLE AND USABLE BUILDING FACILITIES-CHECK LOCAL CODES

Other Aerators Available:

Part Suffix	Description
LV15	1.5 gpm (5.7 Lpm) Vandal-Resistant PCA Non-Aerated Laminar Flow Outlet
L15	1.5 gpm (5.7 Lpm) PCA Non-Aerated Laminar Flow Outlet
V15	1.5 gpm (5.7 Lpm) Vandal-Resistant PCA Aerator
LV10	1.0 gpm (3.8 Lpm) Vandal-Resistant PCA Non-Aerated Laminar Flow Outlet
L10	1.0 gpm (3.8 Lpm) PCA Non-Aerated Laminar Flow Outlet
V10	1.0 gpm (3.8 Lpm) Vandal-Resistant PCA Aerator
V05	0.5 gpm (1.9 Lpm) Vandal-Resistant PCA Non-Aerated Spray
V035	0.35 gpm (1.3 Lpm) Vandal-Resistant PCA Non-Aerated Spray

*PCA - Pressure Compensating
 All modifications meet CALGreen Code