

# PTAC REMOTE ESCUTCHEON AND LOW VOLTAGE WIRING KIT (REK10B) INSTALLATION INSTRUCTIONS

## Description

This kit provides ten attractive replacement escutcheons, allowing the removal of control knobs and graphics no longer required when a wall thermostat is used to control the unit. The kit also includes 80 jumper wires and wire nuts to provide connection from the 14-pin terminal strips on the PTAC control boards to the manufacturer-approved remote thermostats and one of the following board features:

- Emergency Hydronic Heat\*
- Load Shedding\*
- Front Desk Control\*
- Transfer Fan (relay must be manufacturer-approved and have a DC low voltage coil)

*\*If other than a "dry switch" is used in connecting these features, consult manufacturer before proceeding.*



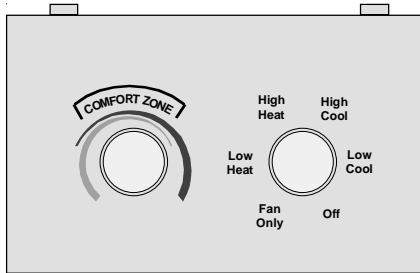
**WARNING**

ALL WIRING MUST COMPLY WITH APPLICABLE LOCAL AND NATIONAL CODES. TYPE AND LOCATION OF FUSED DISCONNECT SWITCH(ES) MUST COMPLY WITH ALL APPLICABLE CODES.

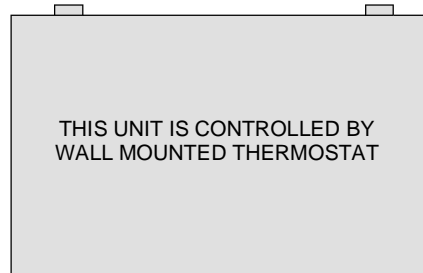


**WARNING**

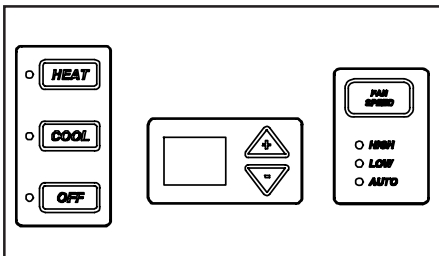
THE INSTALLATION AND SERVICING OF THIS EQUIPMENT SHOULD BE PERFORMED BY QUALIFIED, PROFESSIONALLY TRAINED HVAC TECHNICIANS ONLY. GOODMAN DOES NOT ASSUME ANY RESPONSIBILITY FOR PROPERTY DAMAGE OR PERSONAL INJURY DUE TO IMPROPER SERVICE PROCEDURES OR SERVICES PERFORMED BY AN UNQUALIFIED PERSON.



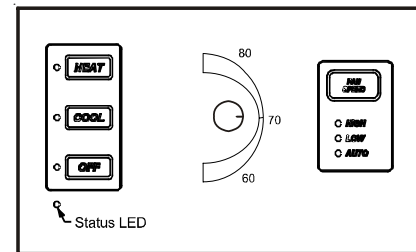
(2) Knob Escutcheon



Remote Escutcheon



Standard Touch Pad



Standard Knob Pad



**RECOGNIZE THIS SYMBOL AS A SAFETY PRECAUTION.**

## ATTENTION INSTALLING PERSONNEL

As a professional installer you have an obligation to know the product better than the customer. This includes all safety precautions and related items.

Prior to actual installation, thoroughly familiarize yourself with this Instruction Manual. Pay special attention to all safety warnings. Often during installation or repair it is possible to place yourself in a position which is more hazardous than when the unit is in operation.

Remember, it is **your** responsibility to install the product safely and to know it well enough to be able to instruct a customer in its safe use.

Safety is a matter of common sense...a matter of thinking before acting. Most dealers have a list of specific good safety practices...follow them.

The precautions listed in this Installation Manual are intended as supplemental to existing practices. However, if there is a direct conflict between existing practices and the content of this manual, the precautions listed here take precedence.




# Installation Instructions


**INSTALLER NOTE:** Before proceeding, determine the type controls you have from examples shown on page 1.

**FOR STANDARD (2) KNOB ESCUTCHEON, STANDARD TOUCH PAD OR STANDARD KNOB PAD ON A NON-HYDRONIC UNIT, SEE INSTRUCTIONS BELOW.**

**FOR STANDARD KNOB PAD FOR USE ON HYDRONIC MODELS, SEE PAGE 3.**

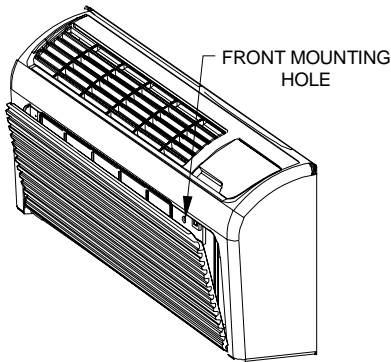


**WARNING**



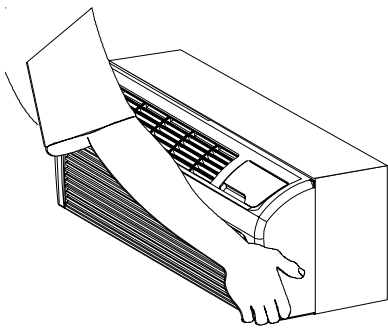
**HIGH VOLTAGE**  
**DISCONNECT ALL POWER BEFORE SERVICING. MULTIPLE POWER SOURCE MAY BE PRESENT. FAILURE TO DO SO MAY CAUSE PROPERTY DAMAGE, PERSONAL INJURY OR DEATH. DO NOT SERVICE THIS UNIT WITHOUT FIRST SHUTTING OFF POWER TO THE UNIT FROM THE CIRCUIT BREAKER AND/OR REMOVING THE UNIT CORD SET PLUG FROM THE WALL OUTLET.**

1. Disconnect power.
2. Remove the screw located behind the inlet grille. Pull the inlet grille forward from the top of the grille to access two screws.



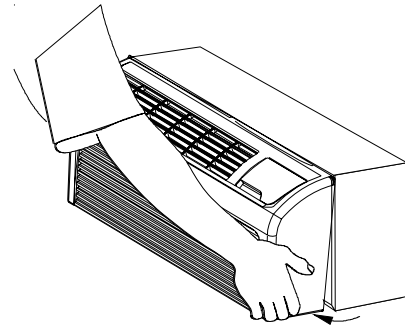
**Figure 1**

3. Grasp the cabinet front as shown.



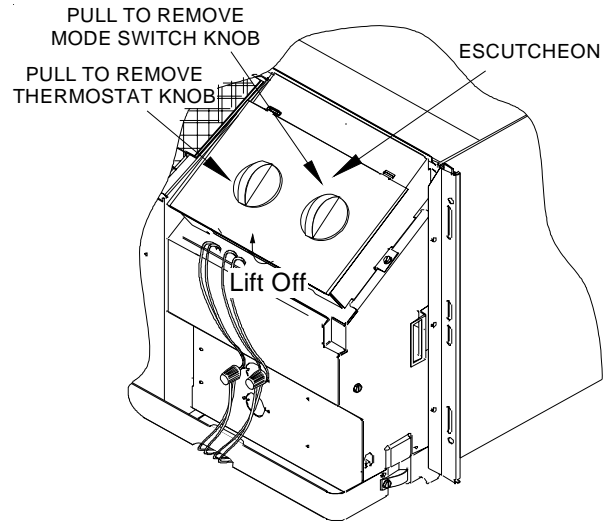
**Figure 2**

4. Pull the bottom of the cabinet front away from the chassis until the retaining clips disengage.



**Figure 3**

5. Lift the cabinet front off the chassis. *If the unit has standard touch pad controls, go to Step 14. If the unit has standard knob pad controls, go to Step 9.*
6. For units with (2) knob escutcheon, remove the unit control knobs by pulling the knobs off the control shafts.



**Figure 4**

7. Lifting the front edge of the escutcheon, slide the tabs at the top of the escutcheon out of the retaining holes and remove the escutcheon.
8. Store the control knobs and escutcheon just removed from the unit for reinstallation if the wall thermostat is no longer used. *Go to Step 14.*

## **TOUCH PAD WITH KNOB INSTRUCTIONS**

### **FOR ALL STANDARD UNITS**

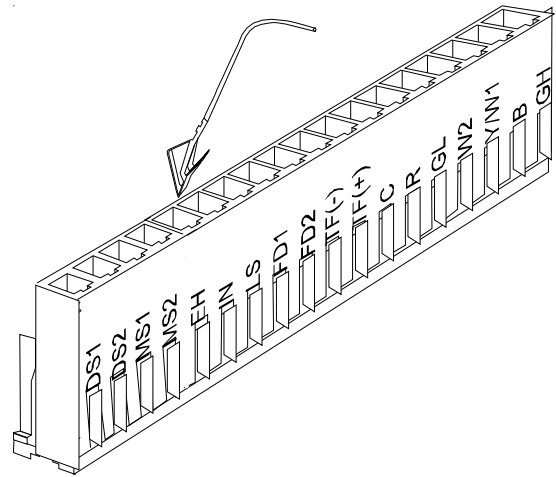
**(Non-hydrionic units)**

9. Remove the two screws holding the control cover to the chassis, and fold the control cover forward.
10. Unplug the orange potentiometer wires from the IHD / Orange terminals on the control board.
11. Remove the unit control knob by loosening the setscrew and pulling the knob off the potentiometer shaft. Also, remove the nut as well as the metal and rubber washers.

12. Pull the potentiometer shaft from the inside of the control cover. Reinstall the washers, nut, and knob onto the shaft and store for reinstallation should the use of the wired thermostat be discontinued.
13. Reinstall the control cover and two screws removed in Step 9.
14. Place the new remote escutcheon on the control cover by inserting the tabs at the top of the escutcheon into the retaining holes and laying the escutcheon flat on the control panel on top of the touch pad, if present.
15. Remove 14-pin or 18-pin female housing from control board.

Using the Table below and Figures 5 and 6 as guides, choose the feature desired and insert the proper jumper wire into the appropriate slot on the housing. Ensure the jumper wires are oriented as shown.

**NOTE:** The options of wired energy management devices (door switch & motion sensor marked with an (\*) asterisk) cannot be used with a wired thermostat.



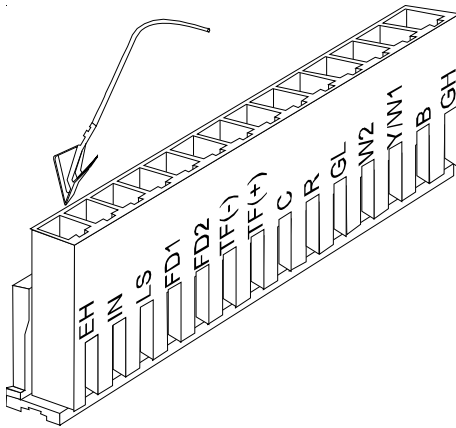
**Figure 6 - 18 Pin Housing**

Reinstall the 14-pin or 18-pin housing. Ensure housing faces the direction shown.

**NOTE:** Only load wires intended for installation. Extra wires can be used to connect other PTAC boards.

16. Connect the kit wiring to the field wiring using the wire nuts provided. Route the kit wiring as shown in Figure 4. Do not run wires through basepan or wall sleeve.
17. Replace the front by reversing steps 1 through 4.

Feature	Pins Used
Emergency Hydronic Heat	EH, IN
Load Shedding	LS, IN
Front Desk Control	FD1, FD2
Transfer Fan	TF(-), TF(+)
Remote Thermostat	C, R, GL, W2, Y/W1, B, GH
*Motion Sensor	MS1, MS2
*Door Switch	DS1, DS2



**Figure 5 - 14 Pin Housing**

## Installation Instructions

### TOUCH PAD WITH KNOB INSTRUCTIONS FOR HYDRONIC UNITS (Hydronic units only)

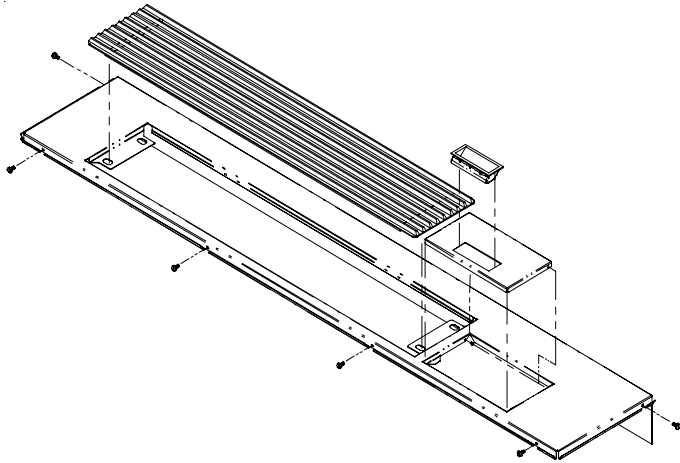
**WARNING**

**HIGH VOLTAGE**  
DISCONNECT ALL POWER BEFORE SERVICING. MULTIPLE POWER SOURCE MAY BE PRESENT. FAILURE TO DO SO MAY CAUSE PROPERTY DAMAGE, PERSONAL INJURY OR DEATH. DO NOT SERVICE THIS UNIT WITHOUT FIRST SHUTTING OFF POWER TO THE UNIT FROM THE CIRCUIT BREAKER AND/OR REMOVING THE UNIT CORD SET PLUG FROM THE WALL OUTLET.

1. Configure for wired thermostat control.  
If the unit is being controlled by a wired wall thermostat, the board should have been configured to allow the thermostat to operate the unit. If thermostat is being installed, configure control for a wired wall thermostat, press and hold the FANSPEED button and press the COOL button twice. The light in the bottom left hand corner below the OFF light will blink twice to confirm that the configuration was successful. Repeat this step if the light did not blink.

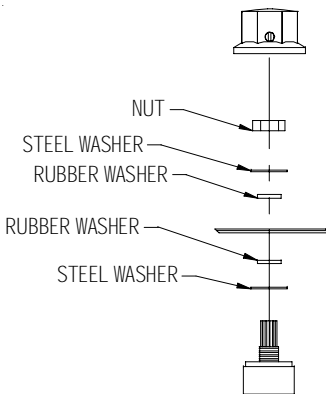
**NOTE:** To reset all the configuration items back to the factory defaults, turn the master switch off for 10 seconds, and then hold the HEAT and COOL button while turning the master switch back.

2. Disconnect power.
3. Lift the cabinet front off the chassis.
4. Remove the six screws from the top (4 in front and 1 on each side) and lift the top away.



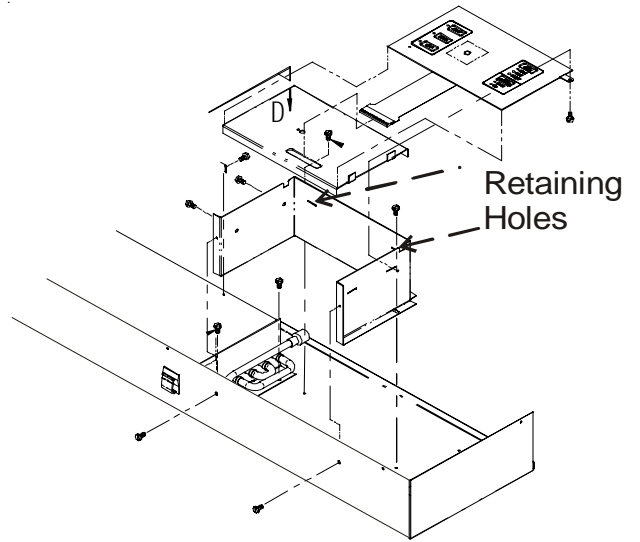
**Figure 7**

5. Remove the unit control knob by loosening the setscrew and pulling the knob off the potentiometer shaft. Also, remove the nut as well as the metal and rubber washers. (See Figure 8.)



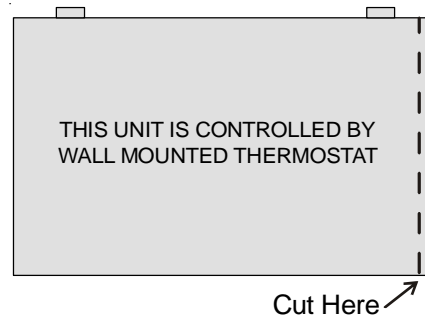
**Figure 8**

6. Remove the two screws mounting the control box to the front of the top assembly and the two screws mounting the control box to the inside bottom of the top assembly. (See Figure 9.)



**Figure 9**

7. Pull the potentiometer shaft from the inside of the control box. Reinstall the washers, nut, and knob onto the shaft and tape the potentiometer to the inside of the control box to retain for the future, if needed. No wiring needs to be disconnected.
8. Reinstall the four screws to attach the control box back to the top assembly.
9. 5/16" of sheet metal will need to be removed from the right side of the Remote Escutcheon. Mark the back-side of the escutcheon with a straight edge and use a pair of tin snips to remove 5/16" of the right edge of material. (See Figure 10.)



**Figure 10**

10. Place the new escutcheon on the control cover by inserting the tabs at the top of the escutcheon into the retaining hole and laying the escutcheon flat on the membrane pad.
11. Reinstall top by replacing the screws removed in Step 4.
12. See steps 15 and 16 on Page 3.
13. Reinstall the front removed in Step 3.
14. Apply power and, using the wall mounted thermostat, check for correct operation.