



Wash-Ware® 3543-DBS Series

9" Deep Bowl Semi-Circular Models - 3 or 4 Stations



3543-DBS-2-H

Fixture May Show Some Available Options

Please visit www.acorneng.com for most current specifications.

9" Deep Bowl Semi-Circular Models - 3 or 4 Stations

Bowl and Sprayhead are type 304 stainless steel with satin finish. Bowl is 38" wide, and has an integral backsplash and sprayhead. Heavy-duty S-clips securely anchor the backsplash to the wall. Sprayhead is 15" diameter x 5-1/4" high.

Housing is black vinylclad, galvanized steel. Base is stainless steel.

Soap / Toiletry Tray on top of sprayhead is standard. There are additional self-draining, air-circulating soap dishes on each side of the bowl.

Sectional Control is standard. One pushbutton or sensor actuates one station.

Hand Pushbuttons (suffix option -H) operate metering non-hold open Air-Control Valves and can be field set for flow ranging from 5 to 60 seconds.

Electronic Sensor Operation (suffix option -SO) includes individual solenoid valves activated by infrared sensors. A low voltage transformer is provided.

Foot Pushbuttons (suffix option -F) operate direct acting non-metering Air-Control Valves that permit the user to control the length of the washing cycle.

Spray Nozzles are vandal-resistant and provide a concentrated 0.5 GPM spray at each station.

Hot & Cold Supplies are blended in an ASSE 1016-1996/1070 compliant temperature/pressure balancing mixing valve with strainers and integral checks. A minimum of 30 PSI supply pressure is required.

Waste Connection for -2 Wall Outlet models is a 1-1/2" OD x 4" tailpiece. Waste connection for -3 Floor Outlet is 2" No Hub. No Hub connector by others.

Retrofitting Existing Installations. These fixtures are ideal for replacement of old style semi-circular washfountains, particularly where maintenance is excessive or when unsanitary conditions exist.

GUIDE SPECIFICATION

Provide and install Acorn Washfountain (specify model number and options) factory pre-assembled, with individual sectional control. 9" deep bowl shall be 14 gage stainless steel and shall have an integral backsplash. Sprayhead shall be 18 gage stainless steel. Spray nozzles shall be vandal-resistant type with 0.5 GPM flow controls. Provide self-draining, air-circulating type soap/toiletry tray on top of sprayhead, and soap dish on each side of bowl. Housing shall have stainless steel scuffguard base and black vinylclad galvanized steel panels. Fixtures shall have backsplash anchored to the wall and housing framework anchored to the floor. Provide an ASSE 1016-1996/1070 compliant temperature/pressure balancing mixing valve with strainers and integral checks in H & C supply and field set water temperature at 105 degrees Fahrenheit. When hand operated non-hold open metering valves are specified, timing cycle shall be field set for approximately (specify) seconds.

Wash-Ware®: 3543-DBS 9" Deep Bowl Semi-Circular Models - 3 or 4 Stations



MODEL NUMBER AND OPTIONS SELECTION

BASE MODEL NUMBERS (Must Specify)

- 3543-DBS On-Floor, Semi-Circular, Three Station
- 3544-DBS On-Floor, Semi-Circular, Four Station

FIXTURE MOUNTING AND WASTE (Must Specify)

- 2 On-Floor, Wall Outlet
(1-1/2" OD x 4" Long Waste Outlet Tailpiece)
- 3 On-Floor, Floor Outlet (Must Specify Supply & Vent)
 - BO Bottom Supply; Vent Off Drain
 - BT Bottom Supply; Vent Thru-Fixture
 - TO Top Supply; Vent Off Drain
 - TT Top Supply; Vent Thru-Fixture

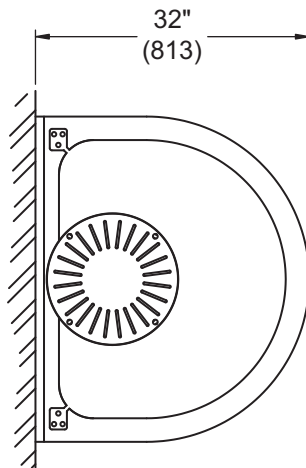
OPERATION (Must Specify)

- F Foot Operation
- H Hand Operation
- PBE Pushbutton Electronic Metering
- SO Sensor Operation
- SO-BAT Sensor Operated (Battery)

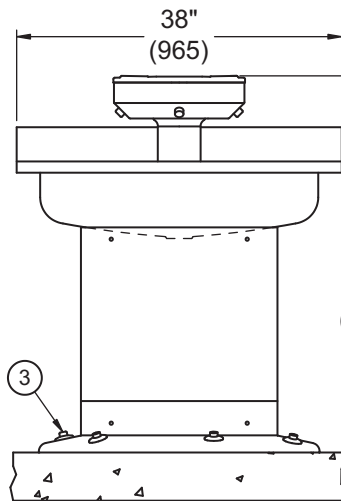
PRODUCT OPTIONS (Must Specify)

- CB Column Braced to Backsplash
- CS Compact Sprayhead - 9" Diameter x 4" High
(Not Available with -DP or -DV.)
- DP Metering Powder Soap Dispenser
- DV Liquid / Lotion Soap Dispenser
- EG Enviro-Glaze Color, Bowl and Sprayhead
Specify: _____
- HB Hose Bibb, Specify: Left Side Right Side
- JH26 26" Junior Rim Height (Standard)
- JH30 30" Junior Rim Height
- JH32 32" Junior Rim Height
- LBS Less Backsplash
- PCB Pipe Column Brace
(Pipe By Others.)
- PDM Metering Liquid Soap Dispenser (Not Available with BT, -PCB, -SC, -TM, -TO, -TS, or -TT.)
- SC Supply / Vent Cover
Specify Ceiling Height: _____
- SPX 16 Gage Stainless Steel Housing
- ST Single Temperature Valve
- TM C or Multi-Fold Paper Towel Dispenser
- TS Single-Fold Paper Towel Dispenser
- VP Vinylclad Housing Color: Black (Standard)
 Gray White

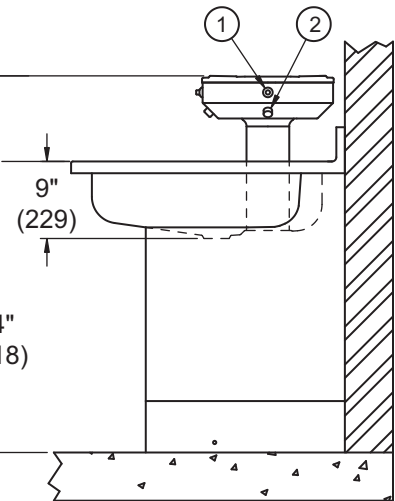
Please visit www.acorneng.com for most current specifications.



MODELS: 3543/3544 Series



3543/3544-DBS-2-F Series



3543/3544-DBS-2-H Series

NOTES:

1. -H Pushbutton.

2. Spray Nozzle.

3. -F Footbutton.

Important: Installation instructions and current rough-in are furnished with each fixture. Do not rough in without certified dimensions. Dimensions are subject to manufacturer's tolerance of plus or minus 1/4" and change without notice. Acorn assumes no responsibility for use of void or superseded data. © Copyright 2006 Acorn Engineering Company	
<p style="text-align: center;">Selection Summary</p> <p>Model No. & Option _____</p> <p>Quantity _____</p>	<p style="text-align: center;">Approved for Manufacturing</p> <p>Company _____ Title _____</p> <p>Signature _____ Date _____</p>



Wash-Ware[®] / Meridian Model Options

Please visit www.acorneng.com for most current specifications.

-1 Off-Floor, Wall Outlet -
The fixture is mounted off the floor and is plumbed for a wall waste outlet. Wash fountains with this option include a grid strainer and tail piece.



-1

-2 On-Floor, Wall Outlet -
The fixture is mounted on the floor and is plumbed for a wall waste outlet. Wash fountains with this option include a grid strainer and tail piece.



-2

-3 On-Floor, Floor Outlet -
The fixture is mounted on the floor and is plumbed for a floor waste outlet by others.



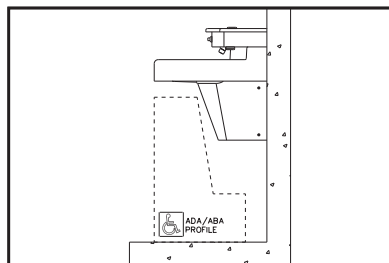
-3

-9 Less Spout and Valve(s) -
On Washbasins, unless otherwise specified this option provides a basin with 4" centerset punching consisting of (3) 1-5/16" diameter holes, for spout and valve by others. For Meridian 3700 and 3710 series fixtures this option is only available when used with suffix options -RLD or -TZ bowls.



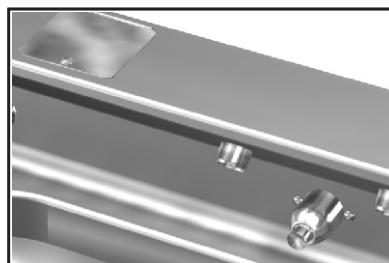
-9

-ADA American with Disabilities Act Compliant -
The intent is to provide a fixture that meets or exceeds the Americans with Disabilities Act accessibility standards as outlined in the U.S. Department of Justice, ADA Standards for Accessible Design. ADA compliance is subject to the interpretation and requirements of the local code authority. Roughs may differ from standard.



-ADA

-BDM Pump Type Metering Liquid Soap Dispenser -
This option is available for specification on Elliptical Washfountain models only. A two quart soap tank is positioned within the fixture and includes a concealed refill funnel beneath an access panel on the backsplash as shown. The actuator is mounted horizontally on the backsplash and is not ADA compliant. Not available with -1 off-floor units, -JH 26" junior rim height units, or -ES contoured base units.



-BDM

Note: See individual specification sheets for available options. Please visit www.acorneng.com for most current specifications.

WM-1

New: 12/09/11



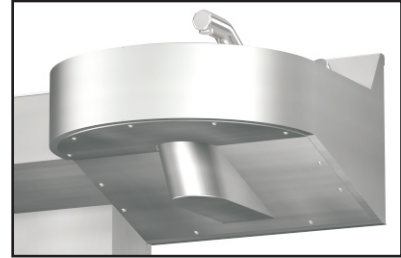
Wash-Ware® / Meridian Model Options

Please visit www.acorneng.com for most current specifications.

-EB

Enclosed Bottom -

This option provides a removable stainless steel enclosure to completely conceal drain waste fitting, supply and waste connections, and under basin(s). Works in conjunction with standard stainless steel trap enclosure to fully conceal bottom of unit. (Not available with -SSN 2-1/2" High Narrow Skirt.)



-EB

**-ECL/
ECR**

Extended Countertop Left Hand / Right Hand -

This option provides additional countertop space to the side of the basin. This counter space may be used to offset a basin from an adjacent side wall or as a toiletry shelf. See individual specification sheets for extended lengths. Model with -ECL option is pictured. Note: 3770-3773 Series are provided with an open end standard.



**-ECL/
ECR**

-EG

Enviro-Glaze -

Selection of this option provides a durable, chip resistant color coat finish to the exterior of the fixture. Refer to catalog 'Color Selection' tab for available colors and textures.



-EG

-ES

Elliptical Style Enclosure -

This option provides an elliptical shaped enclosure in lieu of standard squared enclosure. This option is available on both on the floor and off the units.

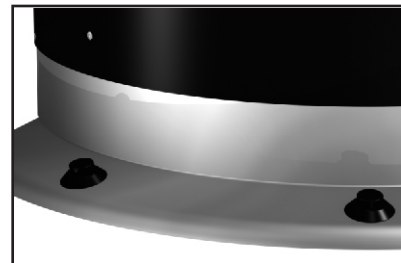


-ES

-F

Foot Operation -

Foot operation is available on specific On-Floor Models only. Foot buttons for each nozzle are located on the stainless steel ring at the base of the fixture and operate non-metering Air-Control valves. As long as the foot button is depressed, the water will flow.



-F

-H

Hand Operation -

This option includes an individual pushbutton control for the Air-Control Metering valve and is provided standard with a hot and cold pressure balancing mixing valve. Water flow metering can be field set for range from 5 to 60 seconds. Pushbutton requires less than 5 pounds of pressure to activate the valve. See individual model specification sheets for pushbutton location.



-H

Note: See individual specification sheets for available options. Please visit www.acorneng.com for most current specifications.

WM-4

New: 12/09/11

**Wash-Ware® / Meridian
Model Options**