



Product information presented here reflects conditions at time of publication. Consult factory regarding discrepancies or inconsistencies.

MAIL TO: P.O. BOX 16347 • Louisville, KY 40256-0347
SHIP TO: 3649 Cane Run Road • Louisville, KY 40211-1961
(502) 778-2731 • 1 (800) 928-PUMP • FAX (502) 774-3624

visit our web site:
www.zoeller.com

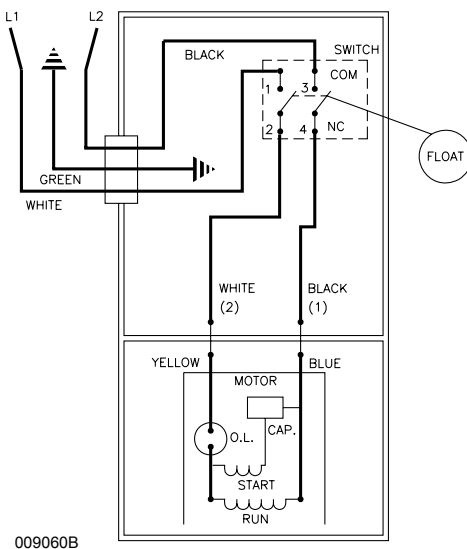
REPLACEMENT PARTS LIST FOR MODELS:

M264 AUTOMATIC 115V
N264 NONAUTOMATIC 115V
WM264 AUTOMATIC w/wired float switch 115V
D264 AUTOMATIC 230V
E264 NONAUTOMATIC 230V

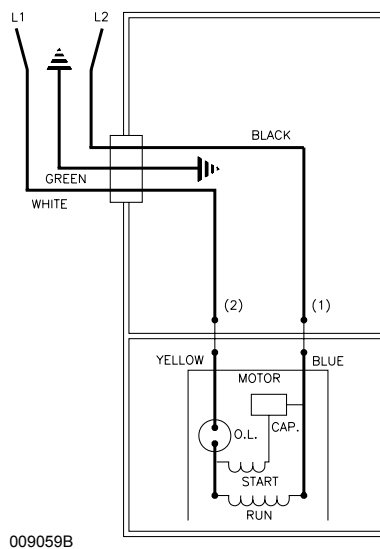
TO ORDER REPLACEMENT PARTS:

PLEASE FURNISH THE FOLLOWING INFORMATION:

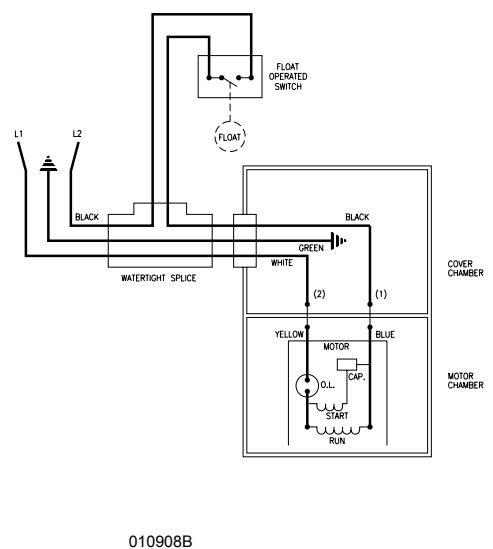
- Model Number.
- Part Number of Pump.
- Part Number and Description of part.



WIRING DIAGRAM FOR MODELS
"M264-A" and "D264-A"
6/96 thru Current



WIRING DIAGRAM FOR MODELS
"N264-A" and "E264-A"
6/96 thru Current



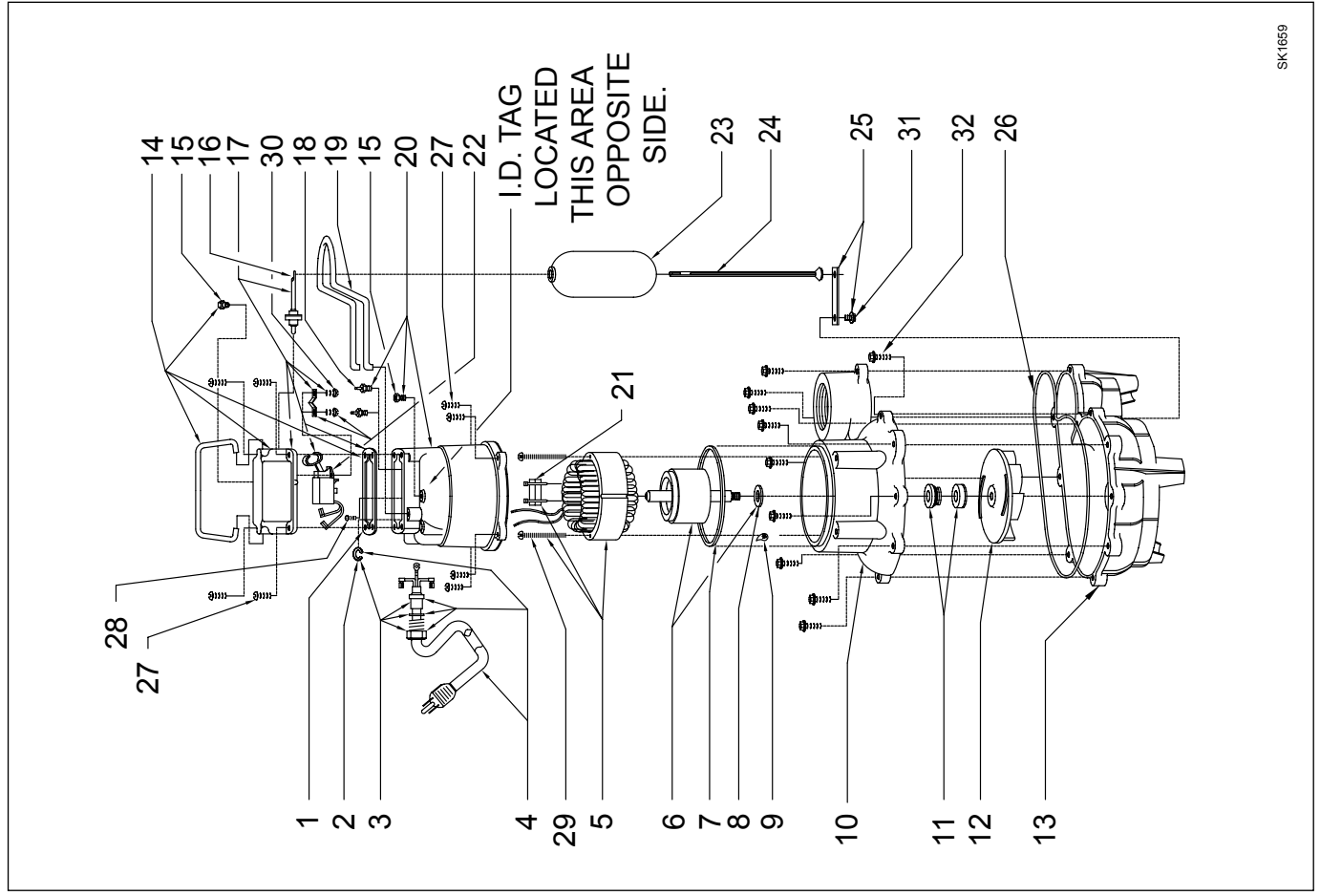
WIRING DIAGRAM FOR MODEL
"WM264-A"
6/96 thru Current

REPLACEMENT PARTS LIST FOR MODELS "M264" and "D264"

REF NO.	DESCRIPTION	MODELS: M264-A		D264-A
		QTY	NOTES	
1	GASKET, CASE/COVER	1		6/96 thru Current
2	CLAMP, STRAIN RELIEF	1		034046
3	SEAL, CORD-ASM "264"	1	1	004200
4	CORD TERM & SEAL 15'	1	1	004322
5	STATOR W/SCREWS 115V/1PH (HPIC or TPIC)	1		010926
	STATOR W/SCREWS 230V/1PH (TPIC)			N/A
	STATOR W/SCREWS 115V/1PH (GE)			012084
	STATOR W/SCREWS 230V/1PH (GE)			N/A
6	STATOR W/SCREWS 115V/230V 1PH (HPIC or TPIC)	1		010271
	STATOR W/SCREWS 230V/1PH (GE)			N/A
	STATOR W/SCREWS 115V/230V 1PH (GE)			012085
7	SEAL, MTR. HSG	1		010270
8	WASHER, TRST-NYL .875X.504	1		034007
9	OIL DIELECTRIC-(30.5 OZ)	1		002140
10	HOUSING, PUMP-MACH "264"	1		007051
11	SEAL ASM, SHAFT-BLISTER PK	1		010718
12	IMPELLER	1		267027
13	BASE-MACH, PLASTIC	1		002570
14	CASE HANDLE & ARM	1		005199
15	PLUG, TEST-WHITE	2		011494
16	ARM & SEAL ASM	1		034090
17	CASE & SWITCH	1		011509
18	SEAL THRU WALL TERM	2		011511
19	GUARD	1		003402
20	HOUSING, MTR	1		010717
21	CAPACITOR	1		004712
22	SWITCH ASM	1		007642
23	FLOAT-POLYPROPYLENE	1		004705
24	ROD, FLOAT-MOLDED	1		034019
25	GUIDE ASM, FLT ROD	1		010935
26	O-RING	1		005477
27	SCREW #10-24 X.75 RHM-SL	8		005701
28	SCREW #6-32X.25 RHM SL TC	1		001885
29	SCREW #6-32 X 2.563 RHPL	2		001877
30	SCREW #6-32X-.43RHALTP "1"	2		001914
31	SEM.10-12X 5HA-SL SHMT	1		004644
32	SCREW #10-10X1-UNSLTD HE	10		003229
□	REBUILD KIT "264"	1		005326
				011515

• Items included in Rebuild Kit. □ Not Shown in Illustration.

REPLACEMENT PARTS ILLUSTRATION FOR MODELS "M264" and "D264"



REPLACEMENT PARTS LIST FOR MODELS "N264" and "E264".

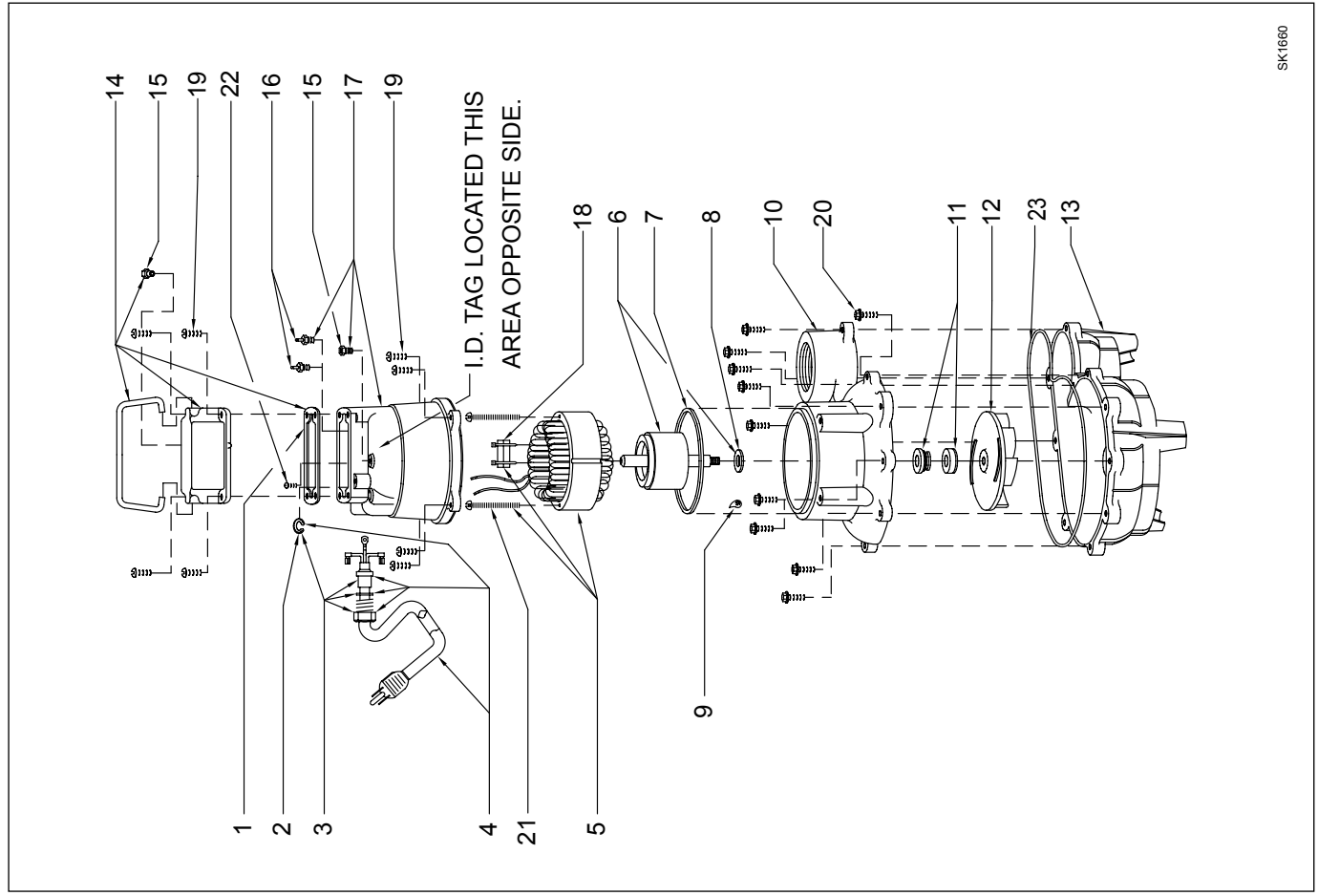
REF. NO.	DESCRIPTION	MODELS: N264-A			E264-A
		QTY	NOTES	696 thru Current	
1	GASKET, CASE/COVER	1		034046	034046
2	CLAMP, STRAIN RELIEF	1		004200	004200
3	SEAL,CORD-ASM "264"	1	1	004322	004322
4	CORD TERM & SEAL 15'	1	1	010927	010928
5	STATOR W/SCREWS 115V/1PH (HPIC OR TPIC)	1		012084	N/A
	STATOR W/SCREWS 230V/1PH (TPIC)		N/A	018593	
	STATOR W/SCREWS 115V/1PH (GE)		010271	N/A	
	STATOR W/SCREWS 230V/1PH (GE)		N/A	010272	
6	ROTOR ASM 115V/230V 1PH (HPIC OR TPIC)	1		012085	012085
	ROTOR ASM 115/230V 1PH (GE)		010270	010270	
7	SEAL,MTR HSG	1		034007	034007
8	WASHER,TRST-NYL .875X.504	1		002140	002140
9	OIL/DIELECTRIC-(30.5 OZ)	1		007051	007051
10	HOUSING,PUMP-MACH "264"	1		010718	010718
11	SEAL ASM,SHAFT-BLISTER PK	1		267027	267027
12	IMPELLER	1		002570	002570
13	BASE-MACH,PLASTIC	1		005199	005199
14	COVER, HANDLE	1		002580	002580
15	PLUG,TEST-WHITE	2		034090	034090
16	SEAL THRU WALL TERM	2		003402	003402
17	HOUSING,MTR	1		004712	004712
18	CAPACITOR	1		007642	007642
19	SCREW #10-24 X.75 RHM-SL	8		001885	001885
20	SCREW #10-10X1-UNSLTD HE	10		005326	005326
21	SCREW #6-32 X 2.563 RHPL	2		001914	001914
22	SCREW #6-32X.25 RHM SL TC	1		001877	001877
23	O-RING	1		005701	005701
▫	REBUILD KIT "264"	1		011515	011515

• Items included in Rebuild Kit. ▫ Not Shown in Illustration.

NOTES:

- 1) If an "X" follows Model No., of Date Mfg. on brass ID tag, consult factory for ordering of this part.
- 2) See FM0160 Parts Price Sheet for listing of parts prices.

REPLACEMENT PARTS ILLUSTRATION FOR MODELS "N264" and "E264"



REPLACEMENT PARTS LIST FOR MODELS "WM264"

MODELS: WM264-A

REF. NO.	DESCRIPTION	QTY	NOTES	6/96 thru Current
1	GASKET, CASE/COVER	1		034046
2	CLAMP, STRAIN RELIEF	1		001770
3	COVER & HANDLE	1		002580
4	PLUG, TEST-WHITE	1		034090
5	SCREW,#10-24 X.75 RHM-SL	8		001885
6	SCREW,#6-32X.25 RHM SL TC	1		001877
7	SEAL, THRU WALL TERMIR	2		003402
8	HOUSING,MTR-& TERM ASM.	1		004712
9	SCREW,#8-32 X 2.563 RHPL	2		001914
10	STATOR W/SCREWS 115V/1PH (HPIC OR TPIC)	1		012084
	STATOR W/SCREWS 115V/1PH (GE)			010271
11	BASE-MACH,PLASTIC	1		010682
12	IMPELLER	1		002570
13	SEAL ASM,SHAFT-BLISTER PK	1		267027
14	HOUSING,PUMP-MACH "264"	1		010718
15	SCREW,#10-10X1-UNSLTD HE	10		005326
16	WASHER,TRST-NYL .875X.504	1		002140
17	SEAL,MTR HSG	1		034007
18	ROTOR ASM 115V 1PH (HPIC OR TPIC)	1		012085
	ROTOR ASM 115/230V 1PH (GE)			010270
19	OIL-DIELECTRIC-(30.5 OZ)	1		007051
20	FLOAT ROD STOP-MECH SWIT	2		009120
21	FLOAT,MECH SWITCH	1		009119
22	ROD,FLOAT-VERT SWITCH	1		010499
23	FLOAT ROD RETAINING PIN	1		009121
24	HARDWARE PACK, VERT SW	1		010532
25	SEAL,CORD-ASM "WM264/1264"	1		011562
26	SWITCH & CORD,SEAL ASM WM264	1		011563
27	CAPACITOR	1		007642
28	O-RING	1		005701
□	REBUILD KIT "WM264/WM1264"	1		011514

• Items included in Rebuild Kit. □ Not Shown in Illustration.

REPLACEMENT PARTS ILLUSTRATION FOR MODEL "WM264"

