

The Model HC67 & HCB67 are freezeless hot and cold mixer wall hydrants with automatic draining and hose connection Backflow Prevention. Hydrant drains when shut off, *even if hose is attached*. The Model HCB67 is enclosed in a flush mounted wall box. Both models are designed for commercial use where outside water service is required.

SPECIFICATIONS:

HOSE CONNECTION BACKFLOW PREVENTER –

- NIDEL® Model 37HA with 3/4 inch male hose thread
- ASSE Standard 1052 approved
- UPC®/IAPMO® listed
- Field Testable
- Two check valves

VALVE SEAT – Permanent type brass valve body with hemispherical seating surface.

VALVE – One piece valve plunger accurately controls both flow and drainage with a minimum number of turns and without need for adjustments.

DRAIN – Under nozzle away from hands of operator and with a lip to divert water away from building.

CASING – Copper tubes.

NO LEAD SOLDER - All solder joints.

STEM – Hardened stainless steel stem resists damage.

TEE KEY – Loose key operates hydrant.

OPERATING ROD – 3/8" solid brass operating rod.

INLETS – 3/4" Female pipe thread.

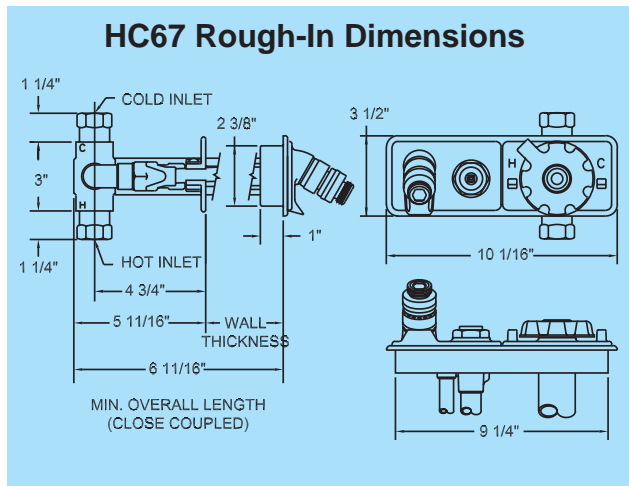
CHECK VALVES – Located in the hot and cold inlet to prevent migration.

WALL CLAMP – Furnished on all 67 series except close coupled.

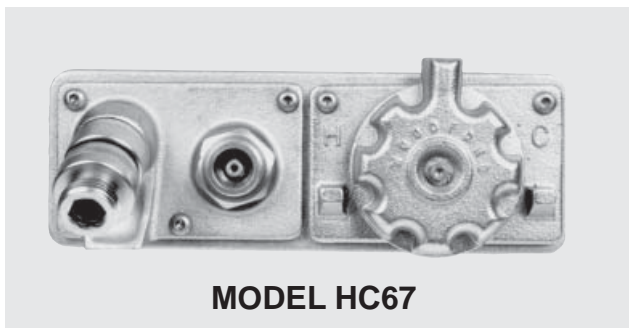
MAX PRESSURE – 125 p.s.i.

MAX TEMPERATURE - 120° F

ACCESS!
DO NOT INSTALL WITHOUT SERVICE ACCESS TO MIXER BODY AND INLETS.

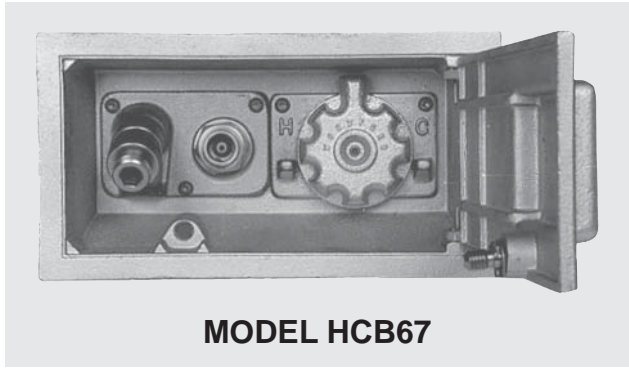


WOODFORD
Backflow Protected
Hot & Cold Mixer
Automatic Draining
Freezeless Wall Hydrants
Model HC67/HCB67



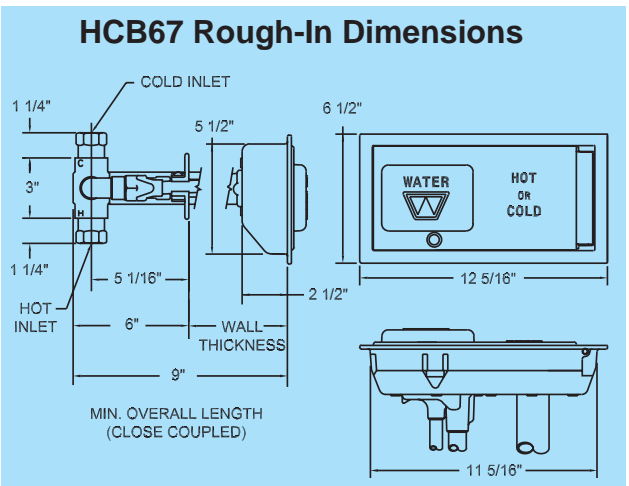
MODEL HC67

Exterior Finish
 Standard - Chrome (CH)
 Optional - Brass (BR)



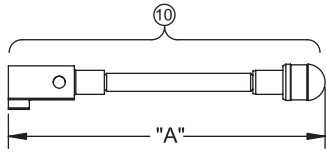
MODEL HCB67

Exterior Finish: Box & Door
 Standard - Chrome (CH)
 Optional - Brass (BR) Polished Brass (PB)

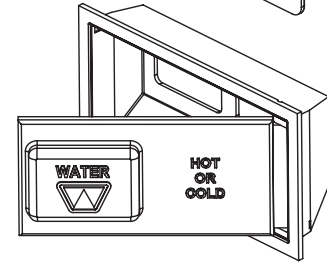
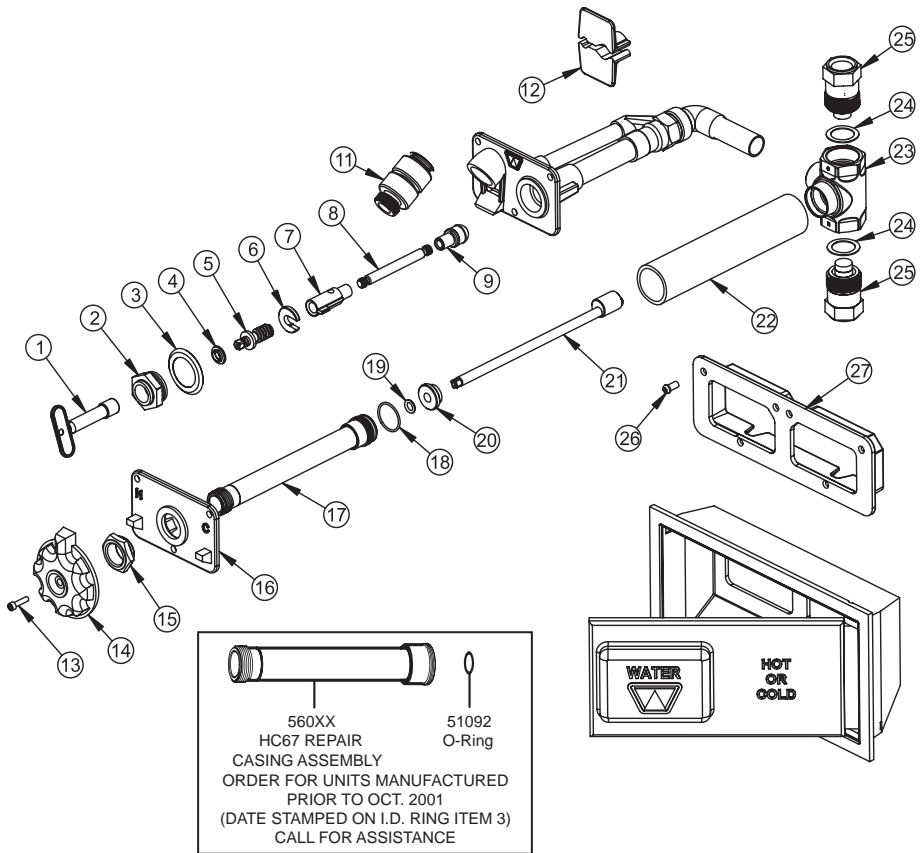


When ordering, specify model number and wall thickness.

WOODFORD



Operating Rod Assy. "A"			
Wall Thickness		Length	Part No.
67	B67/RB67		
CC	CC	3 1/2"	55401
2	4	4 1/2"	55402
4	6	6 1/2"	55404
6	8	8 1/2"	55406
8	10	10 1/2"	55408
10	12	12 1/2"	55410
12	14	14 1/2"	55412
14	16	16 1/2"	55414
16	18	18 1/2"	55416
18	20	20 1/2"	55418
20	22	22 1/2"	55420
22	24	24 1/2"	55422
24	N/A	26 1/2"	55424



MODEL HC67 PARTS LIST

ITEM	PART#	DESCRIPTION
1	RK-STK	Tee Key
	RK-LTK	Long Tee Key (Box Models)
2	50264	Head Nut - chrome
	50265	Head Nut - brass
3	50583	I.D. Ring
4	50252	Stem Washer
5	55062	Stem Screw
6	50251	"C" Washer
7	51014	Yoke Nut
8		Operating Rod (Sold As Item 10 Only)
9	50250	Plunger
10	554XX	Operating Rod Assembly (Includes Items 7, 8 & 9)
11	37HA-CH	37HA Backflow Preventer - chrome
	37HA-BR	37HA Backflow Preventer - brass
12	55063	Wall Clamp Assembly
13	50559	Handle Screw
14	50547	Handle - brass
	50548	Handle - chrome

MODEL HC67 PARTS LIST

ITEM	PART#	DESCRIPTION
15	50545	Locking Nut
16	50543	Face Plate - brass
	50544	Face Plate - chrome
17	361XX	HC67 Casing Assembly (Includes Items 18 & 19) - Call for assistance
18	51093	O-Ring AS-023
19	51092	O-Ring AS-110
20	50529	Support Washer
21	5508X	Rod Assembly - Call for assistance
22	5053X	Casing Shield - Call for assistance
23	50500	Mixer Body
24	50502	Gasket (2 required)
25	55079	Shuttle Housing Assembly
26	51050	Tamper Proof Screws (6 required)
27	50542	Wall Plate - chrome
	50541	Wall Plate - brass
	RK-65	Chrome Repair Kit (Includes Items 1-7 & 9)
	RK-HC	HC/HCB Repair Kit (Includes Items 18, 19, 20, 24, 25)

Wall Thickness (In)	CC	4	6	8	10	12	14	16	18	20	22	24
Overall Length* (In)	6 11/16	9 11/16	11 11/16	13 11/16	15 11/16	17 11/16	19 11/16	21 11/16	23 11/16	25 11/16	27 11/16	29 11/16
Shipping Weight (lbs)**	10.8	11.5	12.2	12.9	13.7	14.3	15.1	15.8	16.5	17.3	18.1	18.9

*Add 5/16" for all box hydrants except CC units add 2 5/16".
 ** Add 8.5 Lbs for box models.

NOTE: Close Coupled models are not recommended for use in freezing climates and cannot use wall clamp.

Manufactured under one or more of the following patents: U.S. Patents: 3,414,001; 4,178,956; 4,316,481
 4,532,954; D216,790; D216,791; D277,365; D277,366; Canada Patents: 852,529; 865,995; 1,146,438

For more information contact...

WOODFORD MANUFACTURING COMPANY

2121 Waynoka Road, Colorado Springs, Colorado 80915 • Phone: (800) 621-6032 • Fax: (800) 765-4115
 To view our complete product line visit: www.woodfordmfg.com or email: sales@woodfordmfg.com
 A Division Of WCM Industries, Inc.