

The Model 26 and B26 are field testable, backflow protected wall faucets designed for use in mild climate areas. The Model B26 is enclosed in a wall mounted box. Both models are designed to blend with modern architecture for installation on or in homes, service stations, churches, motels, drive-in restaurants, etc. The Model Y26 is designed to be used on a stand pipe in the lawn and garden, etc.

#### SPECIFICATIONS:

##### HOSE CONNECTION BACKFLOW PREVENTER:

- NIDEL® Model 37HF with ¾ inch male hose thread
- ASSE Standard 1052 approved
- IAPMO® listed
- Field Testable
- Two check valves

**EPDM PACKING:** Prevents leaking.

**PACKING NUT:** Adjustable brass nut with deep stem guard.

**VALVE SEAT:** Standard "O" size washer.

**HANDLES:** Furnished with polycarbonate wheel handle and loose tee key. **Optional:** Metal wheel handle.

**INLETS:** Model 26 as shown below.  
Model B26: 26P- ½ or 26P ¾ only.  
Model Y26: ¾" FPT.

**MAX PRESSURE:** 125 p.s.i.

**MAX TEMPERATURE:** 120° F

**SHIPPING WEIGHT:** (per unit)

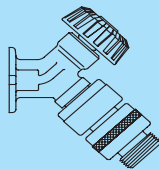
**MODEL 26 & Y26:** 1.2 lbs

**MODEL B26:** 14.6 lbs (brass or chrome box)  
6.5 lbs (aluminum box)

#### Inlet Descriptions

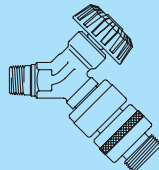
##### MODEL 26/B26

P-½ Inlet  
½" FPT  
P-¾ Inlet  
¾" FPT



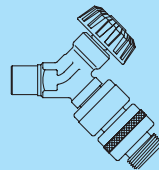
##### MODEL 26 ONLY

CP Inlet  
COMBINATION  
½" COPPER TUBE  
½" MPT



##### MODEL 26 ONLY

C Inlet  
COMBINATION  
½" COPPER TUBE  
¾" COPPER TUBE



## Backflow Protected Wall Faucets

WOODFORD



# Model 26/B26/Y26



MODEL 26

#### Exterior Finish:

Standard - Chrome (CH)  
Optional- Rough Brass (BR) or Polished Chrome (PC)



MODEL B26

#### Exterior Finish:

Standard - Chrome (CH)  
Optional- Rough Brass (BR) or Polished Brass (PB)  
Other Options: Anodized Aluminum Box and Door

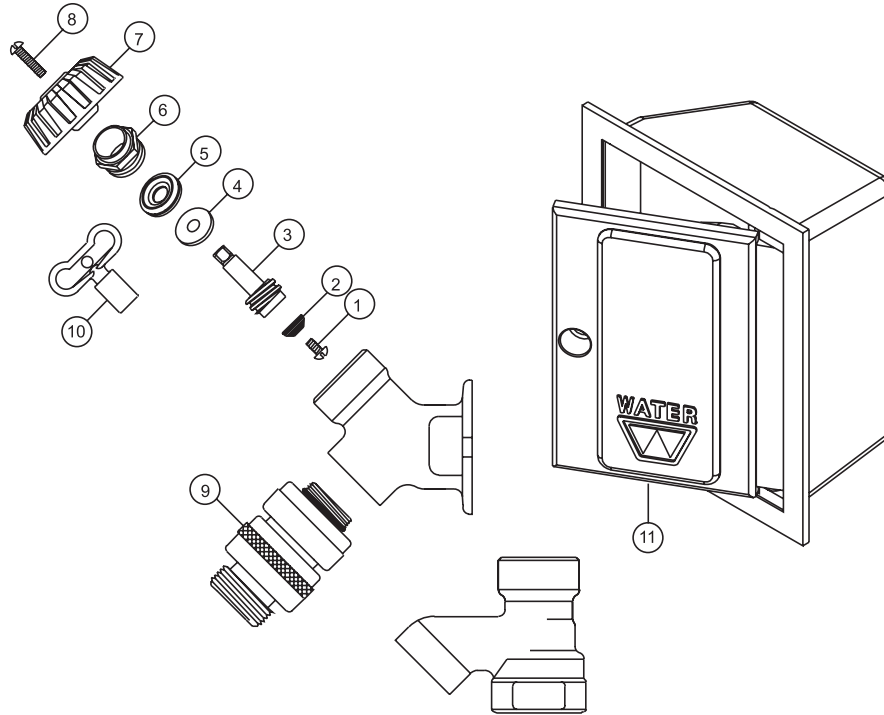


MODEL Y26

#### Exterior Finish:

Standard - Chrome (CH)  
Optional- Rough Brass (BR) or Polished Chrome (PC)

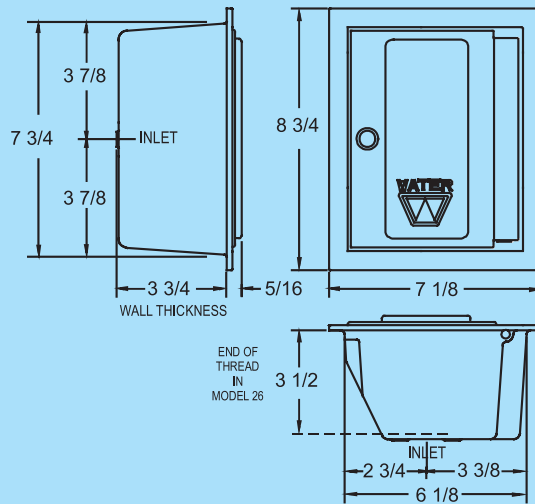
**WOODFORD**



**MODEL 26/B26/Y26 PARTS LIST**

ITEM	PART#	DESCRIPTION
1	30009	Washer Screw
2	30008	Washer
3	30104	Operating Stem
4	30105	Packing Support Washer
5	30247	EPDM Packing
6	30109	Packing Nut - chrome
	30107	Packing Nut - Brass
7	30120	Wheel Handle - Clear
	30233	Wheel Handle - Tan
8	30121	Handle Screw - Nickel
	30002	Handle Screw - Brass
9	37HF-CH	37HF Backflow Preventer - Chrome
	37HF-BR	37HF Backflow Preventer - Brass
10	RK-STK	Tee Key
11	B26BX	Box/Door Assembly - Chrome
	B26BX-BR	Box/Door Assembly - Brass
	B26BX-PB	Box/Door Assembly - Polished Brass
	B26BX-AL	Box/Door Assembly - Anodized Aluminum
	RK-24	Chrome Repair Kit (Includes items 1-8)
	RK-H34	Brass Repair Kit (Includes items 1-8)

**MODEL B26  
Rough-In Dimensions**



Manufactured under one or more of the following patents: U.S. Patents: 3,414,001; 3,543,786; 4,178,956; 4,316,481; D216,790; D216,791; D277,365; D277,366; Canada Patents: 822,458; 852,529; 865,995

*For more information contact...*

**WOODFORD MANUFACTURING COMPANY**

2121 Waynoka Road, Colorado Springs, Colorado 80915 • Phone: (800) 621-6032 • Fax: (800) 765-4115

To view our complete product line visit: [www.woodfordmfg.com](http://www.woodfordmfg.com) or email: [sales@woodfordmfg.com](mailto:sales@woodfordmfg.com)

A Division Of WCM Industries, Inc.