

# Schedule 40

## Model 615

Half Kit with Hub Adaptor

## Model 616

Half Kit with Spigot Adaptor, PVC only

## Model 617

Half Kit with Drain Tee

**Sturdy 1.5" Schedule 40 Fittings  
Solvent Weld Assembly**

### SPECIFICATIONS

#### FEATURES:

- 1.25" deep metal strainer body
- Theft-resistant brass stopper
- Designed for heavy-duty use in hotels, motels, and rental property
- Replaceable, drip-proof Buna-N-Seal

#### APPROVALS (615 models):

- Manufactured in compliance with ASME A112.18.2-2005/CSA B125.2-2005.

#### PATENTS:

- U.S. Pat. 4,720,877; 4,457,030; and 5,758,368

#### THREADS (Strainer Body and Drain Elbow):

- 1 $\frac{1}{2}$ " – 1 $\frac{1}{2}$ " NPSM (Coarse Thread)
- 1.865" Major Diameter (outside thread diameter)
- 11.5 threads per inch

**PIPING:**  PVC  ABS



Model 615-PP



**ADA**

PRESFLO® (PF) and  
Foot Actuated (FA) only

See price list for complete item numbers and available options.  
When ordering, please specify complete item number and any applicable option codes.

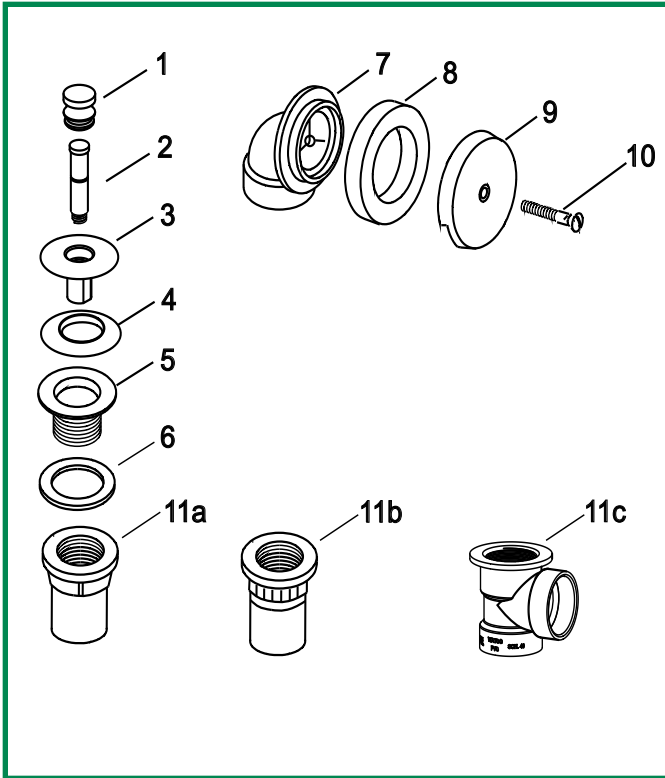


For More Information Contact:  
**WATCO Manufacturing Company**  
1220 South Powell Road  
Independence, MO 64057-2724  
Ph. 816-796-3900 • FAX 816-796-0875  
[www.watcomfg.com](http://www.watcomfg.com)

### Finishes Available in the 615/616/617 Series:

Tube Closures:	PUSH PULL®	LIFT & TURN	PRESFLO®	FOOT ACT.
CP - Chrome Plated	•	•	•	•
AB - Antique Brass	•	•		
AP - Aged Pewter	•	•	•	
BB - Brushed Bronze	•	•	•	
BN - Brushed Nickel	•	•	•	•
BO - Bone	•	•		
BS - Biscuit	•	•		
BZ - Oil-Rubbed Bronze	•	•	•	•
CB - Chrome Brushed	•	•	•	
NP - Nickel Polished	•	•	•	•
PB - Polished Brass	•	•	•	•
PN - Pearl Nickel	•	•	•	
WH - White	•	•		
WI - Wrought Iron	•	•	•	

# 615/616/617 Series Parts List



Item	Part #	Description
1.	01010CP.....	PUSH PULL® Knob, Brass
2.	11510.....	Friction Ring (11505) and Post (11532)
3.	01013CP.....	Stopper, Brass
4.	11507.....	Seal, 1 1/16" dia.
5.	01016CP.....	Strainer Body, 1.865" - 11.5
6.	10696.....	Drain Ell Washer, 1.5" gray
7.	11009.....	Overflow Ell, 1-Hole, Schedule 40, ABS
	14009.....	Overflow Ell, 1-Hole, Schedule 40, PVC
8.	10675.....	Overflow Ell Washer, Foam
9.	01002CP.....	Overflow Plate, 1-Hole, metal
10.	01024CP.....	Overflow Plate Screw, 2.25"
<b>For the 615:</b>		
11a.	11608.....	Hub, Schedule 40, ABS
	11607.....	Hub, Schedule 40, PVC
<b>For the 616:</b>		
11b.	11610.....	Spigot, Schedule 40, PVC only
<b>For the 617:</b>		
11c.	11027.....	Direct Drain Tee, Schedule 40, ABS
	14027.....	Direct Drain Tee, Schedule 40, PVC

## OPTIONAL TUB CLOSURES FOR 615/616/617-SERIES BATH WASTES (PUSH PULL® ALSO SHOWN ABOVE)

Diagram	Series	Part List
	<b>PUSH PULL® Coarse Thread</b>	<ol style="list-style-type: none"> <li>01010CP</li> <li>01010__*</li> <li>11510</li> <li>01013CP</li> <li>01013__*</li> <li>11507</li> <li>01016CP</li> <li>01016__*</li> </ol>
	<b>LIFT &amp; TURN Coarse Thread</b>	<ol style="list-style-type: none"> <li>01010CP</li> <li>01010__*</li> <li>11079</li> <li>11088</li> <li>11290CP</li> <li>01013__*</li> <li>11507</li> <li>11492CP</li> <li>01016__*</li> </ol>
	<b>PRESFLO® Coarse Thread</b>	<ol style="list-style-type: none"> <li>11145CP</li> <li>11145__*</li> <li>11132</li> <li>11060CP</li> <li>11060__*</li> <li>96039: Suction Cup for removing stopper</li> </ol>
	<b>FOOT ACTUATED Coarse Thread</b>	<ol style="list-style-type: none"> <li>38412CP</li> <li>38412__*</li> <li>11492CP</li> <li>01016__*</li> </ol>

*\*If finish other than Chrome is desired, please use this part number and indicate desired finish.*