

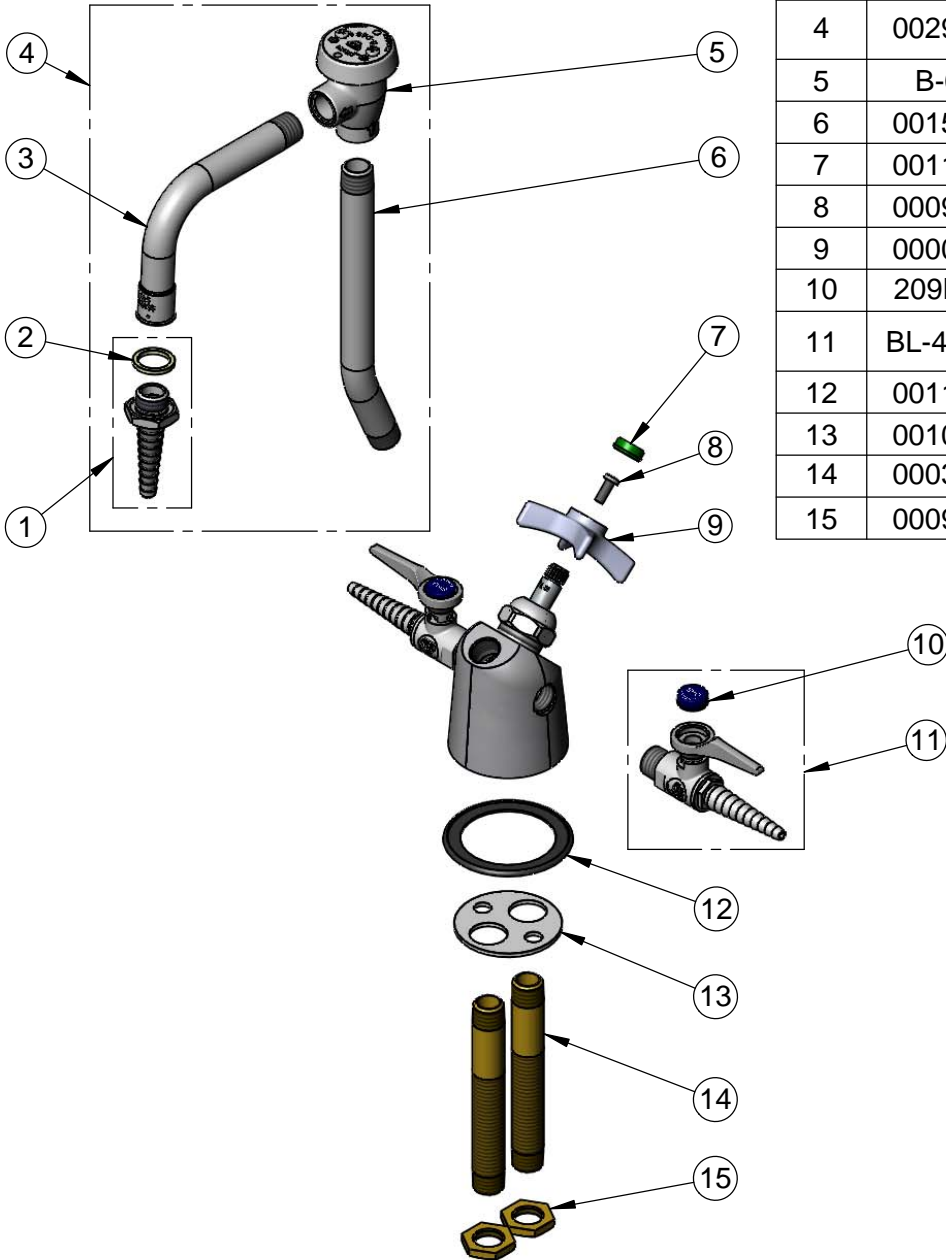


**T&S BRASS AND BRONZE WORKS, INC.**  
 2 Saddleback Cove / P.O. Box 1088  
 Travelers Rest, SC 29690

Model No.  
**BL-6005-02**  
 Item No.

Travelers Rest, SC: 800-476-4103 • Simi Valley, CA: 800-423-0150 • Fax: 864-834-3518 • www.tsbrass.com

ITEM NO.	SALES NO.	DESCRIPTION
1	B-0198	Serrated Tip w/ Washer
2	001051-45	Washer
3	106X	Nozzle, 3/8" NPT, Brass
4	002986-40	Rigid Nozzle w/ Vacuum Breaker & Serrated Tip
5	B-0968	3/8" NPT Vacuum Breaker
6	001522-40	BL-6005-01, 7" Riser
7	001191-45	Green Index - CW
8	000925-45	Lab Handle Screw </td
9	000059-40	4-Arm Lab Handle
10	209L-GAS	Dark Blue GAS Snap-In Index
11	BL-4000-01	Ball Valve Hose Cock w/ Gas, Air & Vac Indexes
12	001160-45	Gasket, BL-6000
13	001004-45	Turret Brass Washer, BL-6000
14	000381-20	3/8" Brass Supply Nipple
15	000969-45	3/8" NPSL Brass Lock Nut



**Product Specifications:**  
 Combination Gas & Water Fixture w/ (2) Ball Valve Gas Cocks, Vacuum Breaker, 6" Rigid Gooseneck, Serrated Tip & 3/8" NPT Male Inlets

**Product Compliance:**  
 ASME A112.18.1 / CSA B125.1  
 NSF 61 Exempt (Non-Potable)  
 ANSI Z21.15a / CSA 9.1a  
 ANSI A117.1 (ADA)