



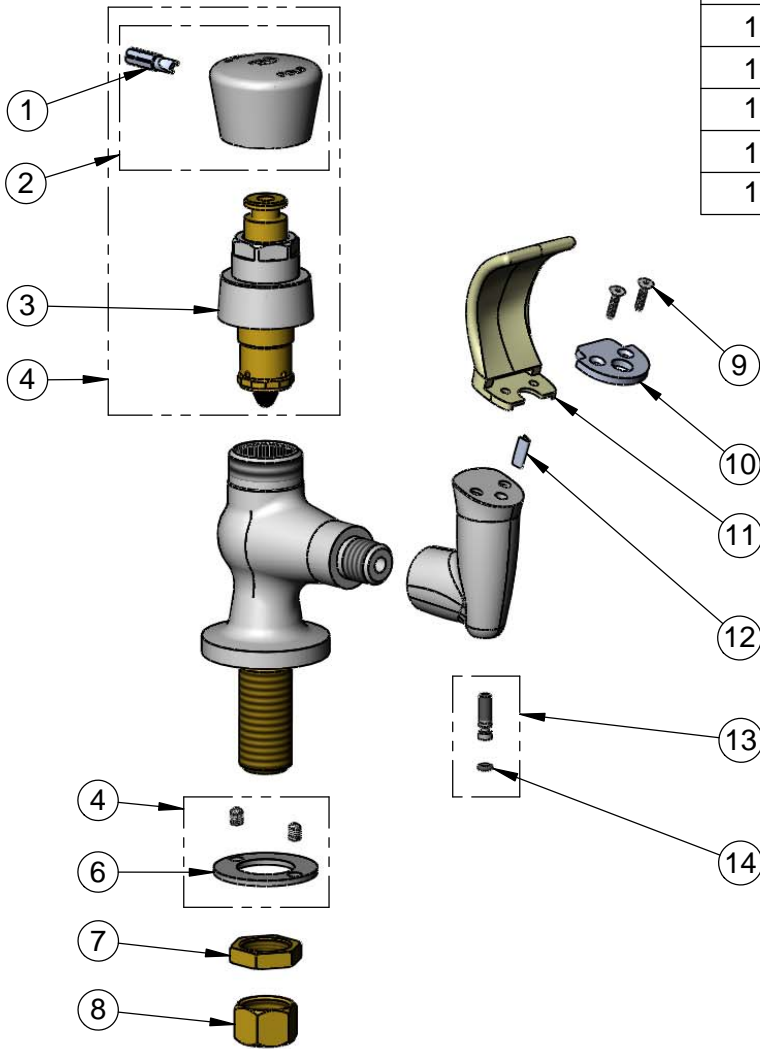
T&S BRASS AND BRONZE WORKS, INC.
 2 Saddleback Cove / P.O. Box 1088
 Travelers Rest, SC 29690

Model No.
B-2360-01-AR

Item No.

Travelers Rest, SC: 800-476-4103 • Simi Valley, CA: 800-423-0150 • Fax: 864-834-3518 • www.tsbrass.com

ITEM NO.	SALES NO.	DESCRIPTION
1	014734-45	#8 Spanner Bit
2	014195-40	Cold Push Button Cap
3	238A	Push Button Metering Cartridge
4	238AC	Metering Cartridge w/ Cold Push Button Cap
5	012698-45	Anti Rotation Pins w/ Washer
6	012701-20	Washer, Shank - VR Bubbler
7	002954-45	Shank Lock Nut
8	000958-20	Coupling Nut
9	009598-45	Mouth Guard Screw
10	009596-40	Mouth Guard Holder
11	009595-45	Rubber Mouth Guard
12	009594-45	Flow Straightener
13	012697-45	Flow Control Screw
14	015319-45	O-Ring



Product Specifications:
 Bubbler w/ Anti-Rotation Pins, Rubber Mouth Guard, Push Button Metering Cartridge w/ "Cold" Cap & 1/2" NPSM Inlet w/ Coupling Nut

Drawn DMH	Checked DHL	Approved JHB
---------------------	-----------------------	------------------------

Scale: NTS	Date: 12/13/12
----------------------	--------------------------