



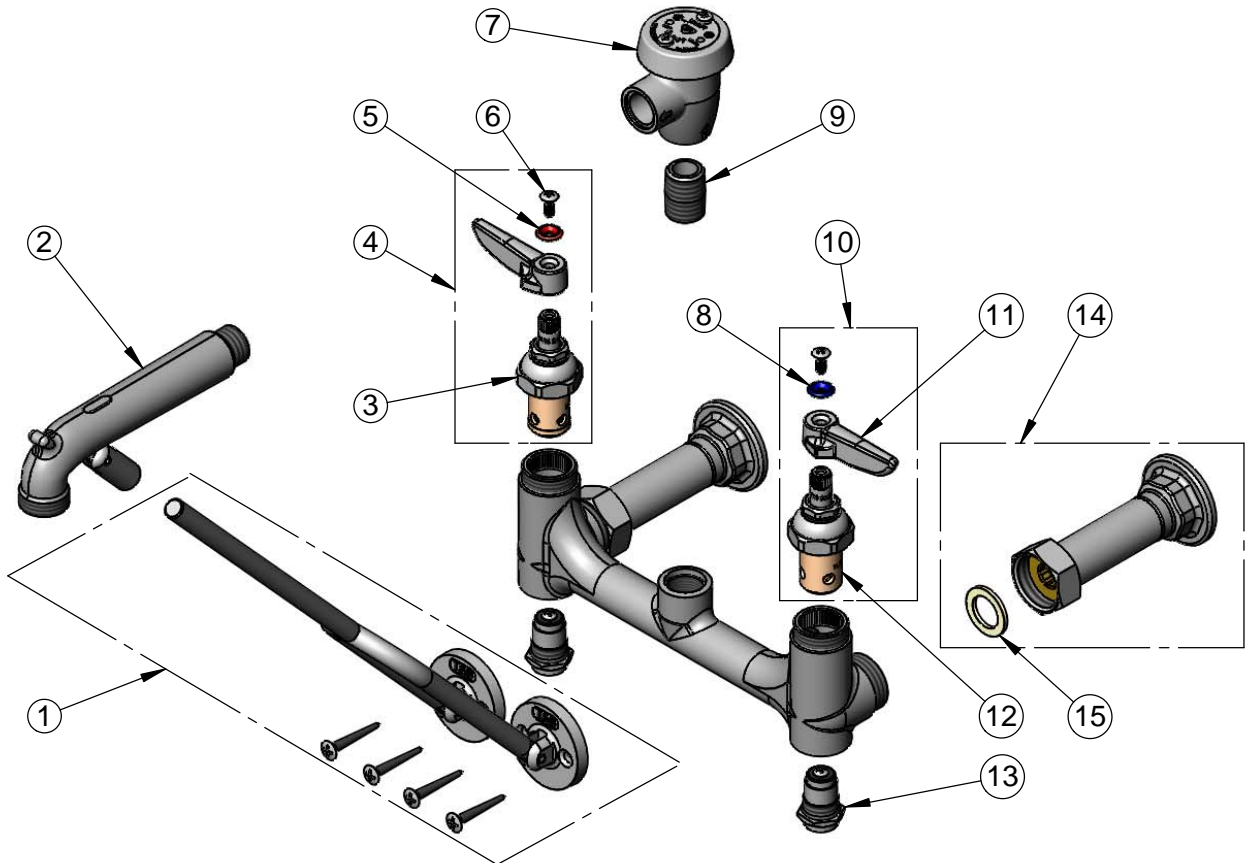
T&S BRASS AND BRONZE WORKS, INC.
 2 Saddleback Cove / P.O. Box 1088
 Travelers Rest, SC 29690

Model No.
B-0655-BSTP

Item No.

Travelers Rest, SC: 800-476-4103 • Simi Valley, CA: 800-423-0150 • Fax: 864-834-3518 • www.tsbrass.com

ITEM NO.	SALES NO.	DESCRIPTION
1	009616-40	Lower Wall Support w/ Mounting Screws
2	016450-40	Spout, Polished Chrome w/ Bottom Support Clevis
3	012443-40	Eterna Cartridge, RTC w/ Spring Check
4	002712-40	Eterna Cartridge, RTC w/ Spring Check, Handle, Index & Screw
5	001661-45	Red Index-HW
6	000922-45	Lever Handle Screw
7	B-0969	1/2" NPT Vacuum Breaker
8	001660-45	Blue Index-CW
9	002534-25	Close Nipple, 1/2" NPT
10	002711-40	Eterna Cartridge, LTC w/ Spring Check, Handle, Index & Screw
11	001638-45	Lever Handle
12	012442-40	Eterna Cartridge, LTC w/ Spring Check
13	163A	Built-in Service Stop
14	B-0441	1/2" x 4" Extension Flange Inlet
15	001019-45	Coupling Nut Washer



Product Specifications:

8" Service Sink Faucet, Eterna Cartridges w/ Spring Checks, Lever Handles, Lower Support Rod, Built-In Stops, Garden Hose Male Outlet, Polished Chrome Finish, 1/2" NPT Vacuum Breaker & 1/2" NPT Female Extended Inlets

Product Compliance:

ASME A112.18.1 / CSA B125.1
 NSF 61-Section 9
 NSF 372 (Low Lead Content)
 ANSI A117.1 (ADA)
 ASSE 1001 (VB)