



**T&S BRASS AND BRONZE WORKS, INC.**

2 Saddleback Cove / P.O. Box 1088  
Travelers Rest, SC 29690



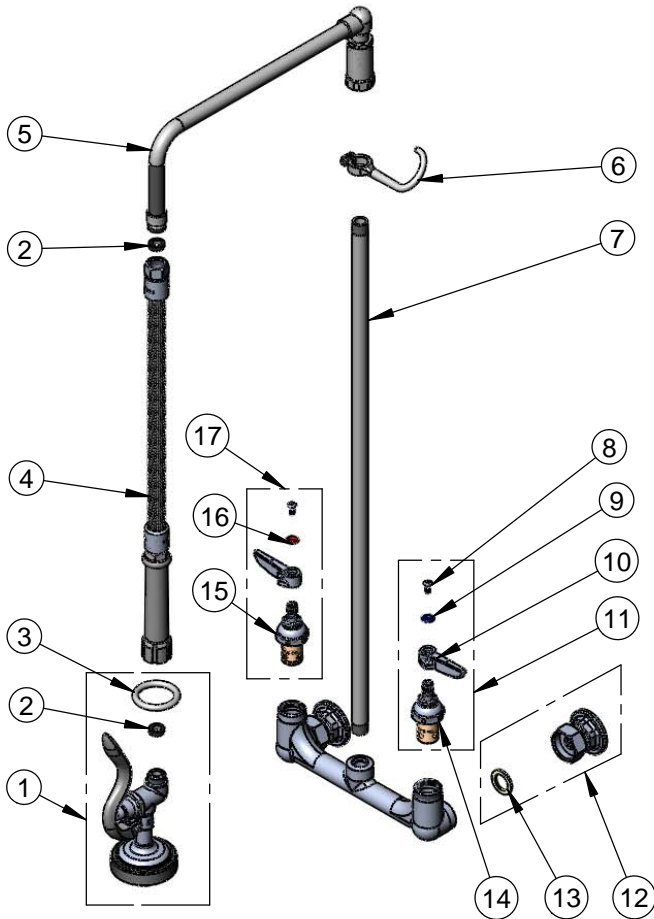
REG. #A2601  
ISO #9001

Model No.

**B-0131**

Item No.

Travelers Rest, SC: 800-476-4103 • Simi Valley, CA: 800-423-0150 • Fax: 864-834-3518 • www.tsbrass.com



| ITEM NO. | SALES NO. | DESCRIPTION  |
|----------|-----------|--|
| 1        | B-0107    | Spray Valve w/ Hold Down Ring & Washer                             |
| 2        | 010476-45 | #27 Washer   |
| 3        | 000907-45 | Spray Valve Hold Down Ring   |
| 4        | B-0020-H  | 68" SS Flex Hose w/o Handle  |
| 5        | 002882-40 | L-Tube Assembly, 12"   |
| 6        | 004R      | Finger Hook Assembly   |
| 7        | 000373-40 | 3/8" NPT, 26" Length Riser   |
| 8        | 000922-45 | Lever Handle Screw   |
| 9        | 001660-45 | Blue Index-CW  |
| 10       | 001638-45 | Lever Handle   |
| 11       | 002711-40 | Cold Eterna Cartridge (LTC) w/ Spring Check, Handle, Index & Screw |
| 12       | 00AA      | Flange Assembly  |
| 13       | 001019-45 | Coupling Nut Washer  |
| 14       | 012442-40 | Cold Eterna Cartridge (LTC) w/ Spring Check                        |
| 15       | 012443-40 | Hot Eterna Cartridge (RTC) w/ Spring Check                         |
| 16       | 001661-45 | Red Index-HW   |
| 17       | 002712-40 | Hot Eterna Cartridge (RTC) w/ Spring Check, Handle, Index & Screw  |

Product Specifications:  
Pre-Rinse Unit w/ Lever Handles, 1/2" NPT Female Inlets,  
26" Riser, B-0020-H Flex Hose, Overhead Swivel Assembly  
& B-0107 Spray Valve

|        |          |          |
|--------|----------|----------|
| Drawn  | Checked  | Approved |
| JRM    | DMH      | JHB      |
| Scale: | Date:    |          |
| NTS    | 07/14/11 |          |