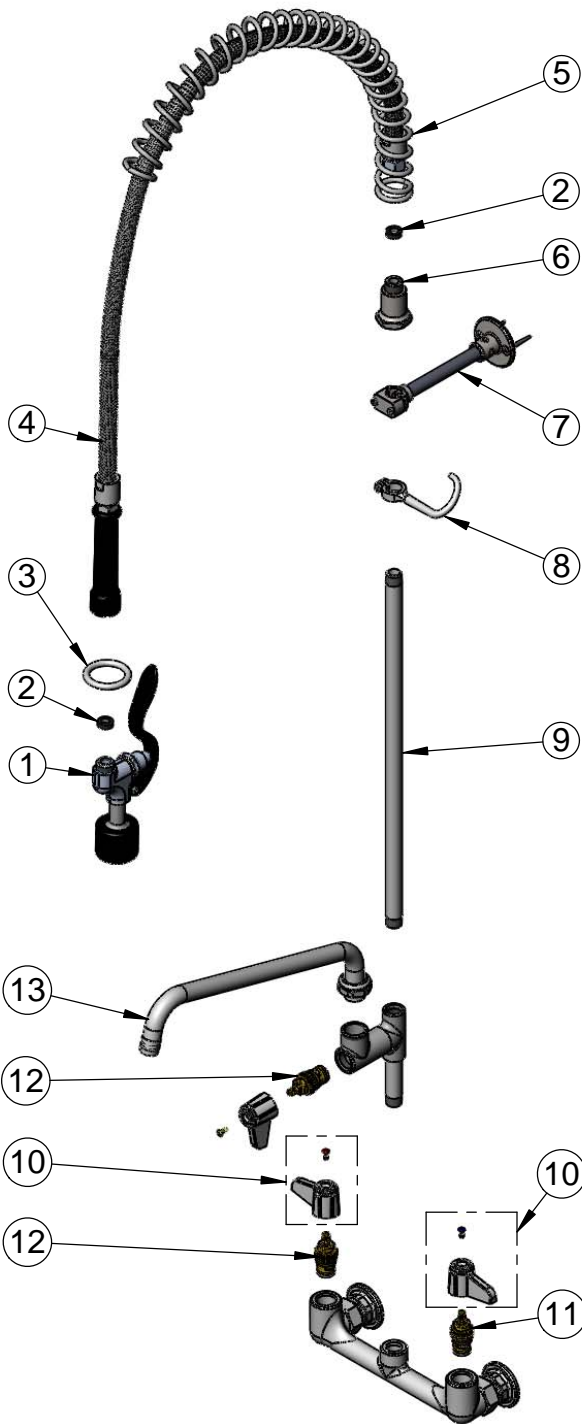


ITEM NO.	SALES NO.	DESCRIPTION
1	5SV-C	
2	010476-45	#27 Washer
3	000907-45	Spray Valve Hold Down Ring
4	5HSE44	44" SS Flex Hose Assembly (Includes Washer)
5	014068-45	Overhead Spring
6	000821-40	Spring Body
7	013716-40	6" Wall Bracket Assembly
8	004R	Finger Hook Assembly
9	000369-40	3/8" NPT x 18" Long Riser
10	5-HDL-L	"Equip" Lever Handle (Includes Blue & Red Screws)
11	013788-45	Equip Ceramic Crtg (LTC)
12	013787-45	Equip Ceramic Crtg (RTC)
13	5SP-12	12" Swing Nozzle



Model Number 5PR-8W12-C	Date 11/23/11	Scale NTS	Drawn JRM	Checked DMH	Approved JHB
----------------------------	------------------	--------------	--------------	----------------	-----------------



Product Specifications:

Pre-Rinse Unit:  
8" Wall Mount Mixing Faucet w/ 12" Swing Nozzle, 6" Wall Bracket,  
5SV-C Spray Valve & 1/2" Female NPT w/In-Line Check Valves

equip Foodservice Accessories  
2 Saddleback Cove, P.O. Box 1088  
Travelers Rest, South Carolina 29690  
Phone: 800.891.4808 Fax: 800.868.0084