



MANUFACTURING CO., INC.
 5330 East 25th Street
 Indianapolis, Indiana 46218
 Phone (317) 261-1212
 Fax (317) 261-1208

www.lawlervalve.com

Installation &
 Maintenance Manual
 M 801 C
 PAT. NO. 5,203,496.
 PAT. NO. 5,323,960.

Model 801

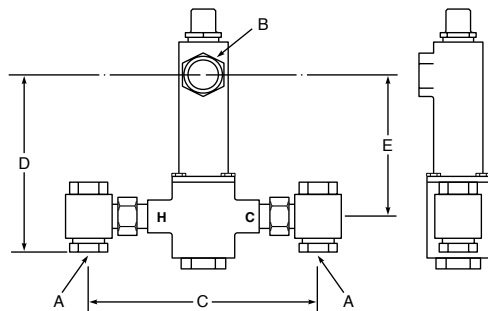


NOTICE!

ASSE 1017 Approved

Thermostatic Water Controllers will not work satisfactorily if improperly installed. Read these instructions carefully before installing and follow directions as outlined.

Certified to
 CSA B125.3



DIMENSIONS:

Valve Number	A N.P.T.	B N.P.T.	C	D	E
801	3/4"	1"	10"	12"	10 1/2"

CAPACITIES - MODEL 801

Pressure Drop PSI	5	10	20	30	45	60	80
Valve Number	Capacity						
801-GPM	17	25	34	40	50	57	65
801-LPM	64	94	128	151	189	210	246

General Description

The Model 801 water temperature controller is carefully assembled and tested at the factory to mix hot and cold water to any desired temperature within range. The temperature of the hot water should be at least 20°F higher than the maximum valve setting. The major safety features are:

1. Failure of cold water supply causes the hot water ports to reduce hot water flow.
2. Failure of hot water supply causes the cold water ports to reduce cold water flow.
3. Failure of the thermostat allows both ports to reduce flow of hot and cold water.

At each inlet of the controller is a union end stop and check valve with removable strainer. Stop and check valves are to prevent water from bypassing between hot and cold water supply lines. These valves should be fully open when in operation.

Maximum Inlet Conditions

Pressure: 125 psi
 Temperature: 200°F

Maintenance

The controller should be checked periodically and, if needed, cleaned as outlined in "INSPECTING and CLEANING VALVE." To test for proper setting and operation - proceed as follows:

1. Turn on full hot and cold water supply to the valve. The mixing valve should deliver water at the outlet temperature stamped on the label.

Standard setting is 110°F. If the outlet temperature is different than that shown on the label, readjust valve according to "TEMPERATURE ADJUSTMENT" procedure on page 2.

2. If after adjusting the outlet temperature the water stays below the set temperature, see "CHECKING COLD WATER SHUT-OFF." If the temperature stays above the set temperature, see "CHECKING HOT WATER SHUT-OFF."

Caution: When maintaining and adjusting the mixing valve, all fixtures should be isolated from use. Lawler Manufacturing Co., Inc. recommends that you work safely at all times and in a manner consistent with the OSHA Lock/Tagout standard, 29 CFR 1910.147 and other applicable standards.

Checking Cold Water Shut-Off

Turn on full hot and cold water supply to the valve and let it run for one minute. Then shut off the hot water stop and check valve only. Cold water should flow through the controller momentarily then be reduced to a negligible amount.

Failure to do so indicates that:

- a. Plunger is sticking and requires cleaning or replacement.

Model 801 Repair Parts

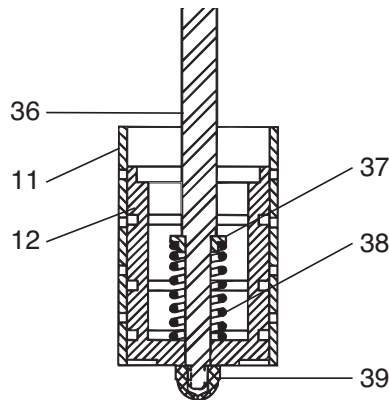
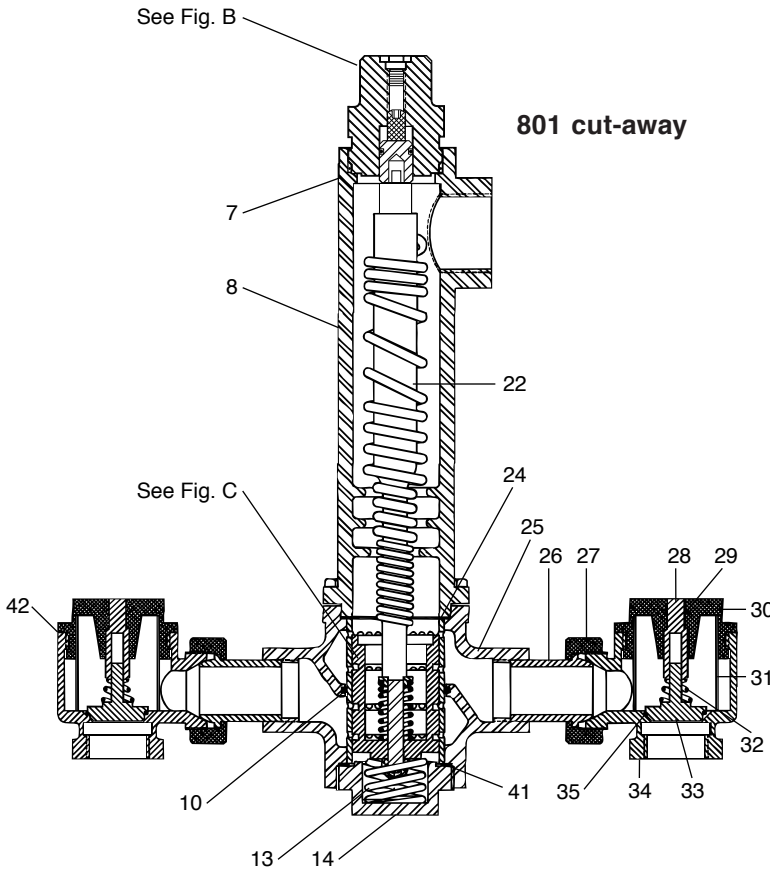


Figure C

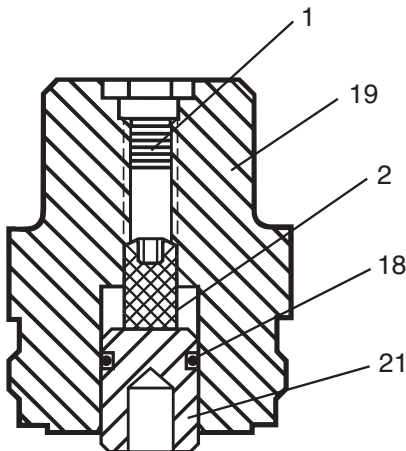


Figure B

Item	Description	Part No.
1	Screw	7628-00
2	Adjusting Screw	8237-00
7	Bonnet Gasket	
8	Dome	—
10	Liner O-Ring	
11	Liner	
12	Plunger	
12a	Piston Liner Assembly	Figure C
13	Valve Spring	—
14	Bottom Plug	—
18	Pusher O-Ring	
19	Bonnet	
21	Pusher	
22	Thermostat	
23	Body Screw (NS)	
24	Liner Gasket, Upper	
25	Valve Body	—
26	Tailpiece	—
27	Union Nut	
28	Stop & Check Stem	
29	S & C Stem O-Ring	
30	S & C Bonnet	—
31	Strainer	—
32	S & C Spring	—
33	Shutoff Disc Assembly	—
34	S & C Body	—
35	Seat O-Ring	—
36	Pushrod	—
37	Spring Retainer	—
38	Relief Spring	—
39	Acorn Nut	—
40	Nameplate (NS)	—
41	Liner Gasket, Lower	—
42	S & C Gasket	—

(NS) - Not Shown

Note: Item 42 not applicable

12a Only available in assembly

Repair Kits and Assemblies

Kit H

Kit	Description	Contains	Part No.
1	Complete Repair Kit	7-10-12a-13-18-22-24-31-32-35	79981-00
2	Piston and Liner Assy.	11-12a	71945-16
3	Stop and Check Repair Kit	28-29-31-32-33-35	79907-02
4	Thermostat Repair Kit	7-22	72911-11
5	Bonnet Assy.	1-2-18-19-21	71965-10
6	O-Ring and Gasket	7-10-18-24-29-35-41	79830-01