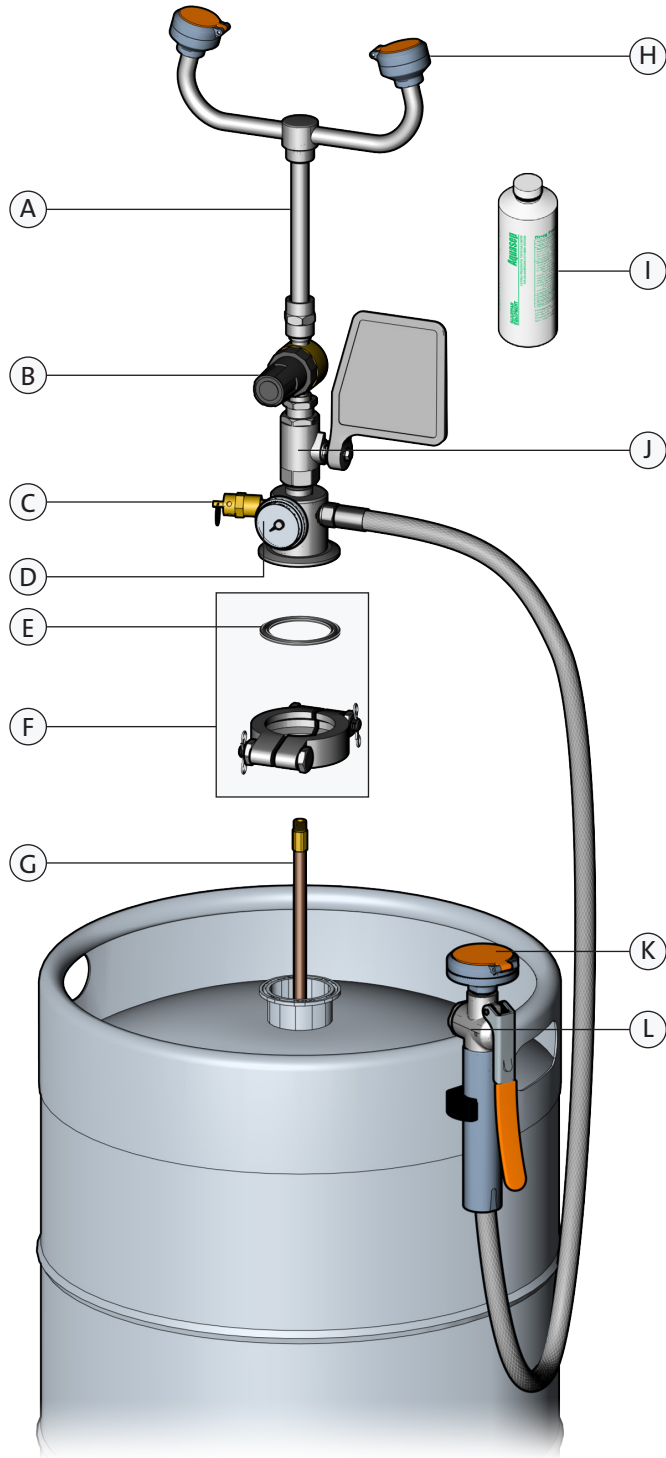


- ☐ **G1562** Pressurized 15 Gallon Portable Eyewash with Drench Hose
- ☐ **G1561** Pressurized 15 Gallon Portable Eyewash



General Notes

The G1562 pressurized portable self-contained eyewash is designed to supply 0.65 GPM of water for 15 minutes in environments where a permanent water supply may not be available. Note that, under ANSI A358.1-2009, drench hose units supplement, but do not replace other types of emergency equipment.

Unit should be placed in a location where the top of the sprayheads are not less than 33 inches and no greater than 45 inches above the surface on which the user stands. It shall also be positioned so that there are no obstructions on either side of the unit. Unit should be located on a surface which is flat, dry and out of direct sunlight.

USE OF THIS UNIT FOR ANY OTHER PURPOSE NOT INTENDED BY THE MANUFACTURER WILL VOID THE WARRANTY.

Safety and Maintenance Instructions

Read and follow all instructions for this eyewash station. Failure to do so may result in serious eye damage and vision loss.

Pressure relief valve should be checked to make sure it is working properly.

It is recommended that the eyewash be inspected weekly for inadequate water level. Inspections which give evidence of any particulation or discoloration suggest the water be replaced immediately.

Item	Part Number	Description
A	AP400-017R	Upper Eyewash Assembly With Fill Tube (Drench Hose And Clamp Sold Separately)
B	BI366-1-125	Pressure Regulator
C	400-017-3	Pressure Relief Valve
D	400-004-2	Pressure Gauge
E	400-017-5R	Tank Gasket (Pkg of 6)
F	AP400-017-4R	Clamp, Bolts, Clips and Tank Gasket
G	AP400-017-2	Fill Tube
H	AP470-001ABS	GS-Plus™ Spray Head Assembly
I	G1540BA	Bacteriostatic Additive
J	AP600-101V	1/2" Ips Stay-Open Ball Valve Assembly
K	G5010T2	Drench Hose Attachment Assembly
L	RK600-240	Drench Hose Valve Repair Kit



- ☐ **G1562** Pressurized 15 Gallon Portable Eyewash with Drench Hose
- ☐ **G1561** Pressurized 15 Gallon Portable Eyewash

Assembly and Filling Instructions

1. **IMPORTANT:** depressurize tank by activating pressure relief valve on the outlet stem assembly.
2. Loosen and remove (2) bolts, nuts, clips, and the clamp from the tank, raise the eyewash assembly from the tank.
3. Fill tank with 10 gallons of clear, clean potable water only. Then add entire bottle of bacteriostatic additive included with the unit. **DO NOT OVERFILL!**
4. Replace eyewash assembly and reclamp securely in place by tightening the nuts. Replace clips.
5. Pressurize unit to 80 PSI by means of the standard tire pump connection provided. Be sure to use a clean air source. **DO NOT USE CO² OR ANY OTHER HIGH PRESSURE GAS! DO NOT CONNECT DIRECTLY TO ANY EXTERNAL AIR OR GAS SOURCE!**
6. Run unit momentarily to purge air and any contaminants from system.

Note: water should be drained and replaced with fresh water and one bottle of bacteriostatic additive (p/n G1540BA) at least once every six months.

CAUTION: KEEP UNIT AWAY FROM HEAT!

