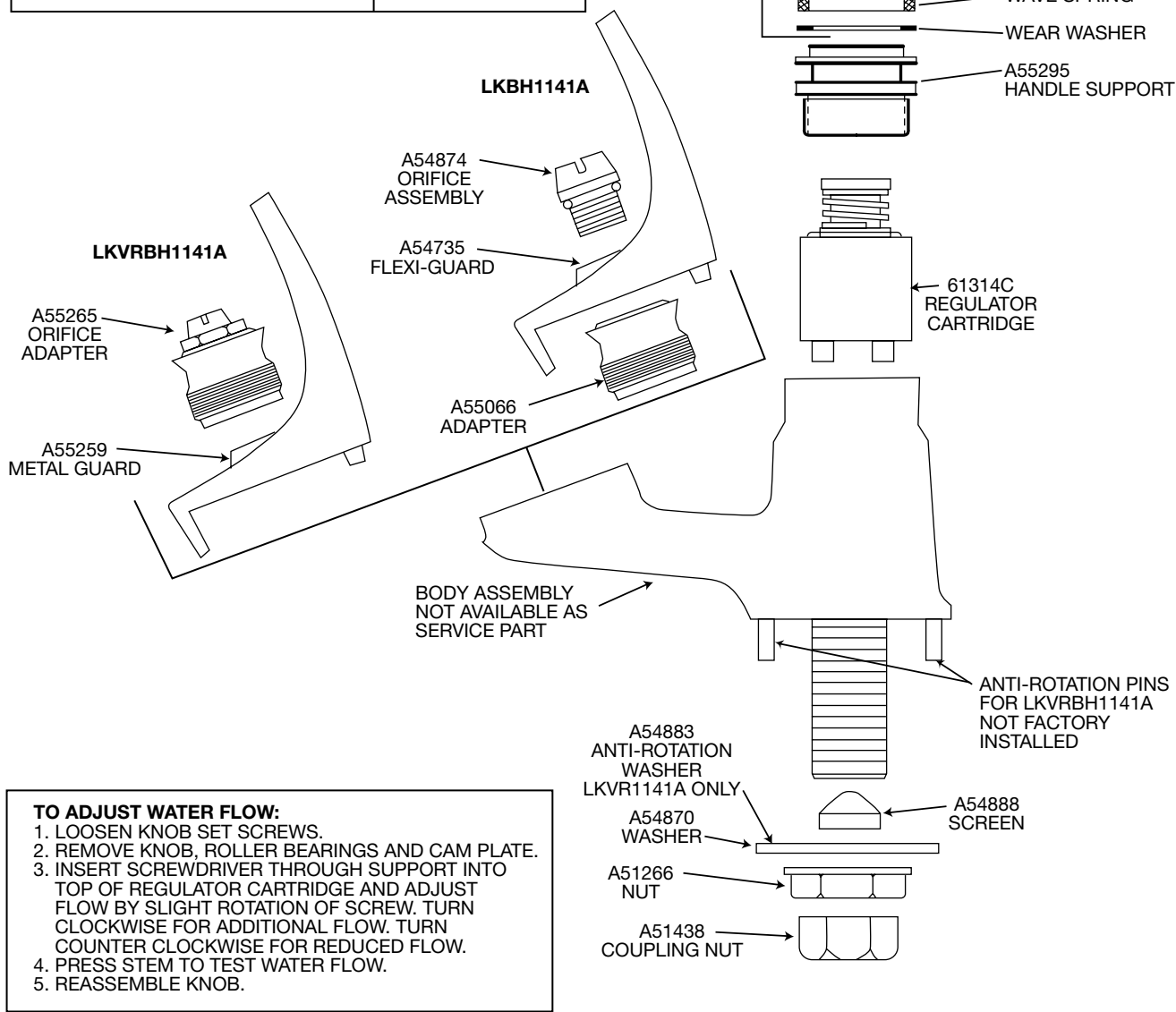
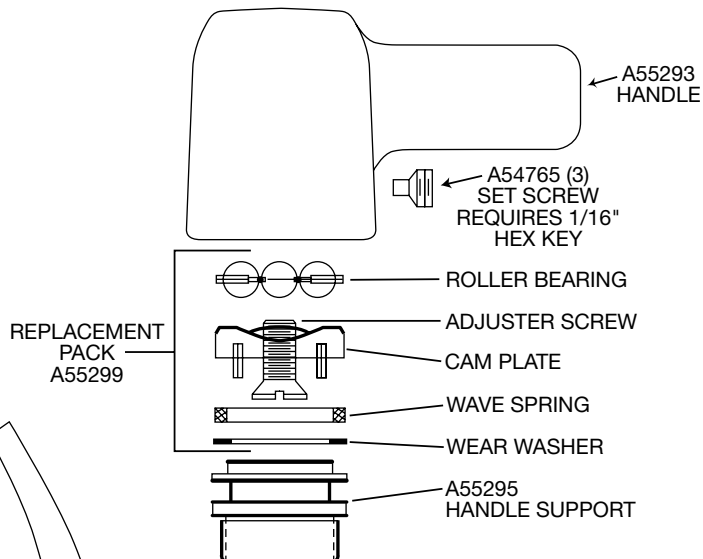
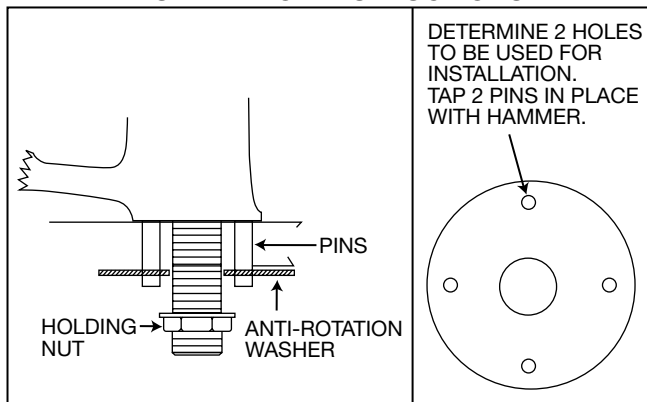


**No Lead Bubler  
For Classroom Drinking Fountain Sink  
Model LKBH1141A and LKVRBH1141A**

**ELKAY®  
PARTS LIST**

**LKVRBH1141A ANTI-ROTATION  
INSTALLATION INSTRUCTIONS**



**TO ADJUST WATER FLOW:**

1. LOOSEN KNOB SET SCREWS.
2. REMOVE KNOB, ROLLER BEARINGS AND CAM PLATE.
3. INSERT SCREWDRIVER THROUGH SUPPORT INTO TOP OF REGULATOR CARTRIDGE AND ADJUST FLOW BY SLIGHT ROTATION OF SCREW. TURN CLOCKWISE FOR ADDITIONAL FLOW. TURN COUNTER CLOCKWISE FOR REDUCED FLOW.
4. PRESS STEM TO TEST WATER FLOW.
5. REASSEMBLE KNOB.