

REPLACEMENT PARTS

CP-110E-PL



Series 80[®] In-Line Centrifugal Pumps

REPLACEMENT PARTS



Bell & Gossett

a xylem brand

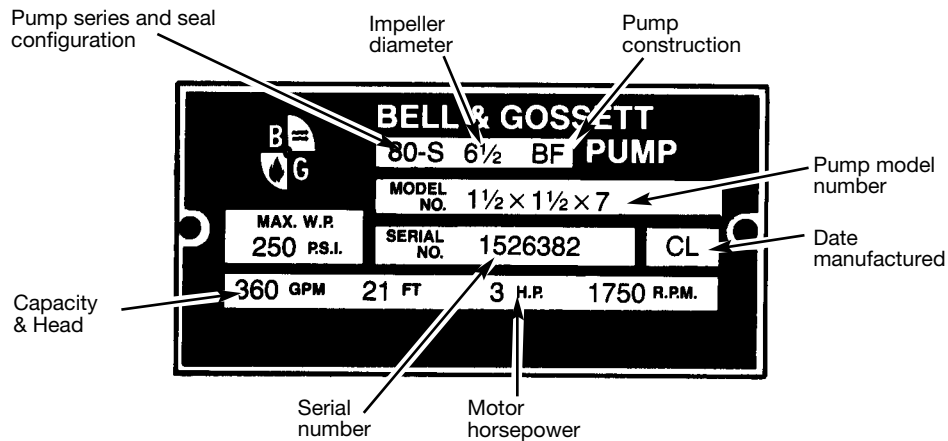
Index



How To Use This Parts List	3
Stock Pumps	4
Exploded Parts View – Standard Seal Configuration.....	5
Exploded Parts View – Stuffing Box Configuration	6
Size 1½ x 1½ x 7 Pump Parts	7
Size 1½ x 1½ x 7B Pump Parts.....	8
Size 1½ x 1½ x 9½ Pump Parts	9
Size 2 x 2 x 7 Pump Parts	10
Size 2 x 2 x 9½ Pump Parts	11
Size 2 x 2 x 9½B Pump Parts.....	12
Size 2½ x 2½ x 7 Pump Parts	13
Size 2½ x 2½ x 9½ Pump Parts	14
Size 2½ x 2½ x 9½B Pump Parts.....	15
Size 3 x 3 x 7 Pump Parts	16
Size 3 x 3 x 7B Pump Parts.....	17
Size 3 x 3 x 9½ Pump Parts	18
Size 3 x 3 x 9½B Pump Parts.....	19
Size 3 x 3 x 11 Pump Parts	20
Size 4 x 4 x 7 Pump Parts	21
Size 4 x 4 x 9½ Pump Parts	22
Size 4 x 4 x 11 Pump Parts	23
Size 5 x 5 x 7 Pump Parts	24
Size 5 x 5 x 9½ Pump Parts	25
Size 6 x 6 x 7 Pump Parts	26
Size 6 x 6 x 9½ Pump Parts	27
Size 6 x 6 x 11 Pump Parts	28
Size 8 x 8 x 9½ Pump Parts	29
Size 8 x 8 x 11 Pump Parts	30
Mechanical Seals for Stuffing Box Type Pumps.....	31
Packing Sets for Stuffing Box Type Pumps	31

How to use this PARTS LIST

The pump nameplate identifies the pump by pipe size, seal configuration, pump construction and impeller diameter as shown below.



The nameplate identifies the pump in the example as a Series 80 with a “-S” seal and Bronze Fitted (BF) construction. The pump is listed in the parts list by its maximum impeller diameter and would be called a 1 1/2 x 1 1/2 x 7 pump. The actual impeller size for the example pump is 6 1/2” as shown above.

The Series 80 pump is furnished with both “Standard Seal” or “Stuffing Box” construction. The “Standard Seal” pump has no seal designation after the Series Number in the nameplate; if the example pump were of the “Standard Seal” construction the nameplate would show it to be an 80 6 1/2 BF pump.

The “Stuffing Box” model has three positive seal configurations:

Series 80-S	Single Seal	Series 80 PF	Packing Rings with
Series 80-D	Double Seal		Flush (Lantern) Ring

The motor shaft size, depending on motor horsepower, may be either 1 1/4” or 1 5/8” in diameter. The shaft size is measured at the point where the shaft enters the volute coverplate and affects the selection of the seal, shaft sleeve, water slinger and volute coverplate as indicated in the parts list.

Following the procedure below will result in proper parts selection:

1. Determine from the nameplate the pump size, seal configuration, pump construction and impeller diameter.
2. Measure shaft diameter.
3. Refer to the index for the page number of the parts list for the pump involved.
4. Find the proper column in the parts list for the pump construction involved.
5. Select part numbers, using the drawings on page 5 or 6 for identification. Where shaft diameter affects parts selection, use the measurement secured in step 2.
6. Motor brackets vary with motor frame sizes. Secure the motor frame number from the motor nameplate and use to select the proper motor bracket. Always give complete motor nameplate data when ordering replacement motors.

Cross Reference Sizes for Stock Pumps

STOCK SIZE	PUMP SIZE	H.P.	IMPELLER	IMPELLER DIAMETER	RPM
*801T	3 x 3 x 7	1½	P85415	6"	1750
801TB	3 x 3 x 7B	1½	P85522	5¾"	1750
*802T	3 x 3 x 7	2	P85415	6½"	1750
802TB	3 x 3 x 7B	2	P85522	6¾"	1750
*803T	3 x 3 x 7	3	P85415	7"	1750
803TB	3 x 3 x 7B	3	P85522	7"	1750
*804T	2 x 2 x 9½	3	P85423	9"	1750
804TB	2 x 2 x 9½B	3	P85521	8½"	1750
*805T	2½ x 2½ x 9½	5	P85427	9¼"	1750
805TB	2½ x 2½ x 9½B	5	P85521	9⅝"	1750
806T	4 x 4 x 7	2	P85419	6"	1750
807T	4 x 4 x 7	3	P85419	7"	1750
808T	3 x 3 x 9½	5	P85431	8"	1750
*808T	3 x 3 x 9½B	5	P85523	8"	1750
*809T	3 x 3 x 9½	7½	P85431	8¾"	1750
809T	3 x 3 x 9½B	7½	P85523	8¾"	1750
809TB	4 x 4 x 9½	7½	P85466	8¼"	1750

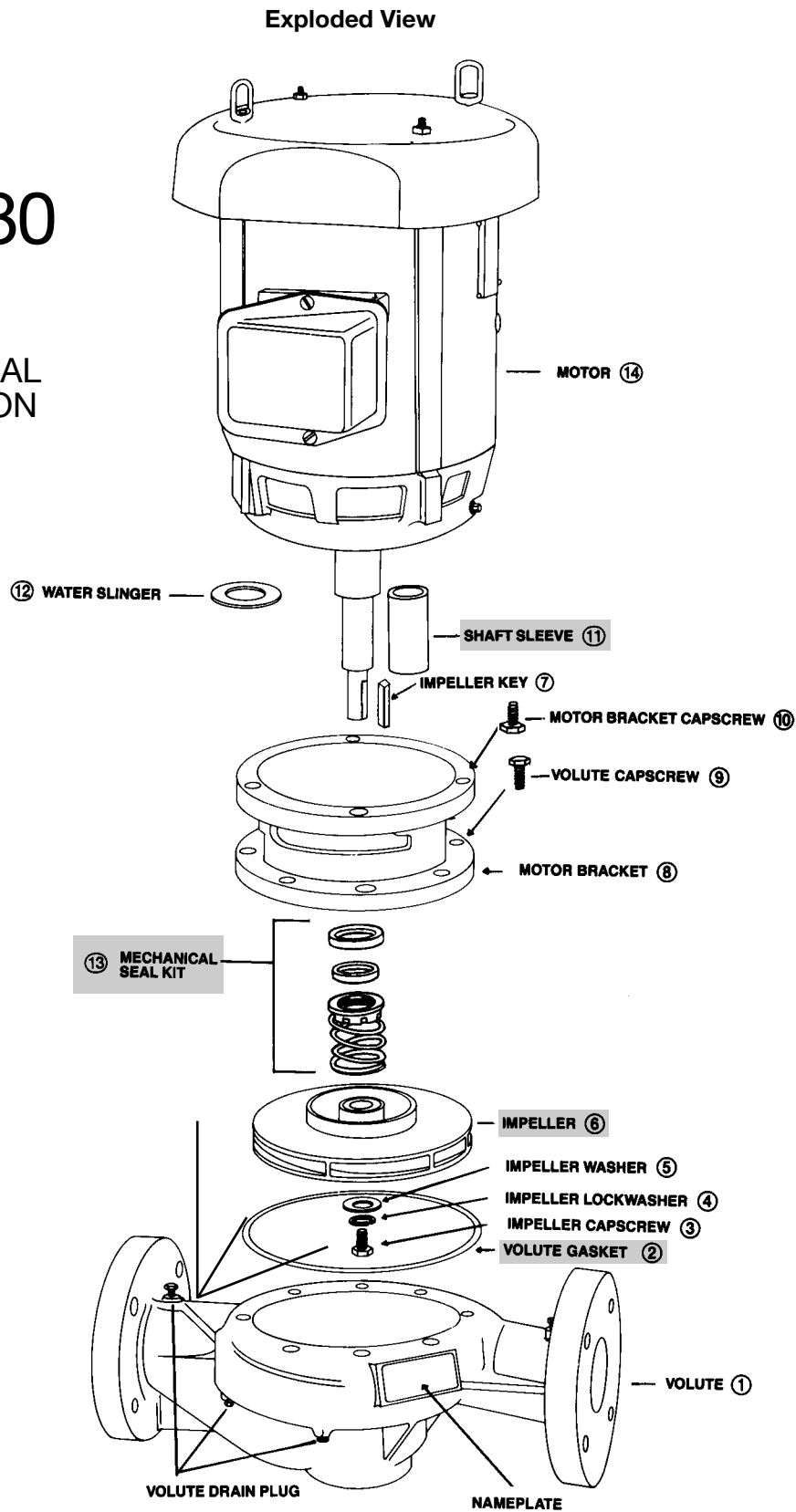
All stock pumps above are standard mechanical seal and bronze fitted construction.

*Pumps obsolete, parts still available.

■ – Factory recommended spare parts.

Series 80 Pump

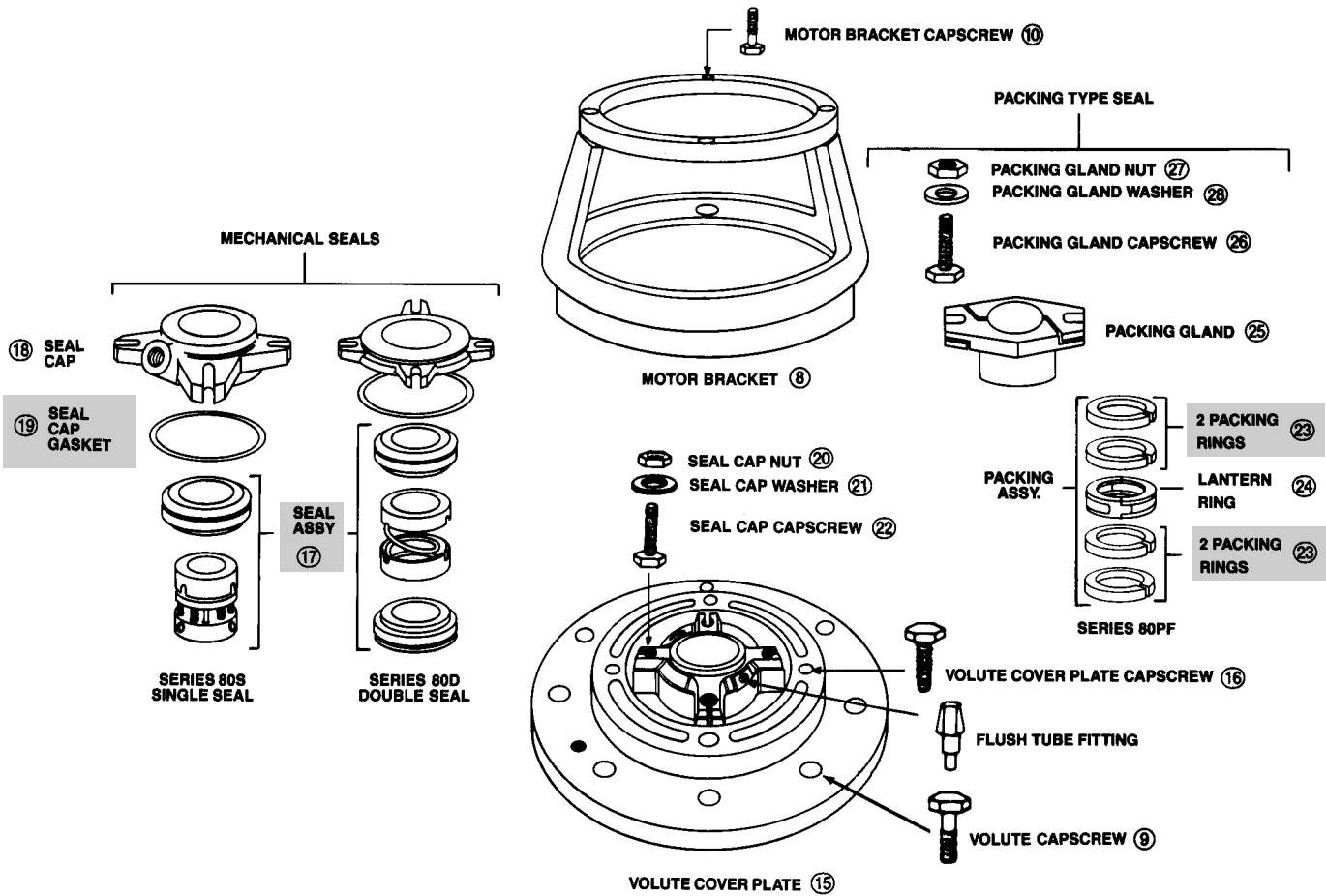
STANDARD SEAL
CONSTRUCTION



■ - Factory recommended spare parts.

Series 80 Pump

OPTIONAL STUFFING BOX CONSTRUCTION



— Factory recommended spare parts.

1¹/₂ x 1¹/₂ x 7 Pumps

ITEM NO.	DESCRIPTION	PUMP CONSTRUCTION			
		ALL IRON	BRONZE FITTED		
			STANDARD	W/WEAR RING	W/EPT SEAL

PARTS COMMON TO BOTH TYPES

6	Impeller (State Diameter)	P85410	P85456	P85456	P85456
3	Impeller Capscrew	P52350	P52350	P52350	P52350
4	Impeller Lockwasher	J23874	J23874	J23874	J23874
5	Impeller Washer	P46381	P46390	P46390	P46390
7	Impeller Key	P49369	P49369	P49369	P49369
1	Volute	N/A	N/A	N/A	N/A
	Wear Ring	—	—	P46700	—
	Volute Drain Plug 1/4" (3)	P39050	P39040	P39040	P39040
	Volute Drain Plug 1/8" (3)	P39030	P39020	P39020	P39020
9	Volute Capscrew (8)	P40020	P40020	P40020	P40020
2	Volute Gasket	P57700	P57700	P57700	P57700
12	Water Slinger	P53550	P53550	P53550	P53550

PARTS FOR STANDARD SEAL CONSTRUCTION

8	Motor Bracket — Motor Frames 143JM-145JM, 182JM-184JM	186526	186526	186526	186526
10	Motor Bracket Capscrew for Above (4)	P40020	P40020	P40020	P40020
8	Motor Bracket — Motor Frames 213JM-215JM	186528	186528	186528	186528
10	Motor Bracket Capscrew for Above (4)	K03600	K03600	K03600	K03600
13	Seal Kit	186860	186862LF	186862LF	186861LF
11	Shaft Sleeve Kit	185025	185024LF	185024LF	185024LF

PARTS FOR STUFFING BOX CONSTRUCTION

8	Motor Bracket	P85023	P85023	P85023	Not Offered
10	Motor Bracket Capscrew (4)	P40020	P40020	P40020	
15	Volute Coverplate	P85027	P85027	P85027	
16	Volute Coverplate Capscrew (4)	P52320	P52320	P52320	
	Packing	See Table C or D, Page 31			
	Single Seal Components	See Table A, Page 31			
	Double Seal Components	See Table B, Page 31			
	Shaft Sleeve	See Table A, B, C, or D, Page 31			
1	Volute — 250 PSI Operation for PF and S Seals Only	N/A	N/A	N/A	

N/A — NO LONGER AVAILABLE

IF A VOLUTE IS REQUIRED, BOTH VOLUTE & IMPELLER MUST BE REPLACED TO MAKE A CURRENT STYLE PUMP.

— Factory recommended spare parts.

1^{1/2} x 1^{1/2} x 7B Pumps

ITEM NO.	DESCRIPTION	PUMP CONSTRUCTION			
		ALL IRON	BRONZE FITTED		
			STANDARD	W/WEAR RING	W/EPT SEAL

PARTS COMMON TO BOTH TYPES

6	Impeller (State Diameter)	P85560	P85518	P85518	P85518
3	Impeller Capscrew	P52350	P52350	P52350	P52350
4	Impeller Lockwasher	J23874	J23874	J23874	J23874
5	Impeller Washer	P46381	P46390	P46390	P46390
7	Impeller Key	P49369	P49369	P49369	P49369
1	Volute	P85304	P85304	*P85600	P85304
	Wear Ring	—	—	P46700	—
	Volute Drain Plug 1/4" (5)	P39050	P39040	P39040	P39040
9	Volute Capscrew (8)	P40020	P40020	P40020	P40020
2	Volute Gasket	P57700	P57700	P57700	P57700
12	Water Slinger	P53550	P53550	P53550	P53550

PARTS FOR STANDARD SEAL CONSTRUCTION

8	Motor Bracket — Motor Frames 143JM-145JM, 182JM-184JM	186526	186526	186526	186526
8	Motor Bracket — F Construction Motor Frames 143JM-145JM, 182JM-184JM	—	P90523	P90523	P90523
10	Motor Bracket Capscrew for Above (4)	P40020	P40020	P40020	P40020
8	Motor Bracket — Motor Frames 213JM-215JM	186528	186528	186528	186528
8	Motor Bracket — F Construction Motor Frames 213JM-215JM	—	P90524	P90524	P90524
13	Seal Kit	186860	186862LF	186862LF	186861LF
11	Shaft Sleeve Kit	185025	185024LF	185024LF	185024LF

PARTS FOR STUFFING BOX CONSTRUCTION

8	Motor Bracket	P85023	P85023	P85023	Not Offered
10	Motor Bracket Capscrew (4)	P40020	P40020	P40020	
15	Volute Coverplate	P85027	P85027	P85027	
16	Volute Coverplate Capscrew (4)	P52320	P52320	P52320	
	Packing	See Table C or D, Page 31			
	Single Seal Components	See Table A, Page 31			
	Double Seal Components	See Table B, Page 31			
	Shaft Sleeve	See Table A, B, C, or D, Page 31			
1	Volute — 250 PSI Operation for PF and S Seals Only	P85305	P85305	*P85601	

— Factory recommended spare parts.

*Includes Wear Ring

1 1/2 x 1 1/2 x 9 1/2 Pumps

ITEM NO.	DESCRIPTION	PUMP CONSTRUCTION			
		ALL IRON	BRONZE FITTED		
			STANDARD	W/WEAR RING	W/EPT SEAL

PARTS COMMON TO BOTH TYPES

6	Impeller (State Diameter) 1 1/4" Shaft	P85561	P85519	P85519	P85519
6	Impeller (State Diameter) 1 5/8" Shaft	P85567	P85531	P85531	P85531
3	Impeller Capscrew 1 1/4" Shaft	P52350	P52350	P52350	P52350
3	Impeller Capscrew 1 5/8" Shaft	P13800	P13800	P13800	P13800
4	Impeller Lockwasher 1 1/4" Shaft	J23874	J23874	J23874	J23874
4	Impeller Lockwasher 1 5/8" Shaft	J23875	J23875	J23875	J23875
5	Impeller Washer 1 1/4" Shaft	P46381	P46390	P46390	P46390
5	Impeller Washer 1 5/8" Shaft	P46382	P51250	P51250	P51250
7	Impeller Key 1 1/4" Shaft	P49369	P49369	P49369	P49369
7	Impeller Key 1 5/8" Shaft	P49372	P49372	P49372	P49372
1	Volute	P85354	P85354	*P85602	P85354
	Wear Ring	—	—	P46700	—
	Volute Drain Plug 1/4" (5)	P39050	P39040	P39040	P39040
9	Volute Capscrew (12)	P03470	P03470	P03470	P03470
2	Volute Gasket	P48690	P48690	P48690	P48690
12	Water Slinger 1 1/4" Shaft	P53550	P53550	P53550	P53550

PARTS FOR STANDARD SEAL CONSTRUCTION

8	Motor Bracket — Motor Frames 143JM-145JM, 182JM-184JM	186533	186533	186533	186533
8	Motor Bracket — F Construction Motor Frames 143JM-145JM, 182JM-184JM	—	P90527	P90527	P90527
10	Motor Bracket Capscrew for Above (4)	P40020	P40020	P40020	P40020
8	Motor Bracket — Motor Frames 213JM-215JM	186530	186530	186530	186530
8	Motor Bracket — F Construction Motor Frames 213JM-215JM	—	P90528	P90528	P90528
10	Motor Bracket Capscrew for Above (4)	K03600	K03600	K03600	K03600
8	Motor Bracket — Motor Frames 254JP-256JP	P77166	P77166	P77166	P77166
8	Motor Bracket — F Construction Motor Frames 254JP-256JP	—	P90529	P90529	P90529
10	Motor Bracket Capscrew for Above (4)	P13780	P13780	P13780	P13780
8	Motor Bracket — Motor Frames 284JP-286JP	P53500	P53500	P53500	P53500
8	Motor Bracket — F Construction Motor Frames 284JP-286JP	—	P90530	P90530	P90530
10	Motor Bracket Capscrew for Above (4)	P19490	P19490	P19490	P19490
13	Seal Kit 1 1/4" Shaft	186860	186862LF	186862LF	186861LF
13	Seal Kit 1 5/8" Shaft	186544	186543LF	186543LF	185225LF
11	Shaft Sleeve Kit 1 1/4" Shaft	185025	185024LF	185024LF	185024LF
11	Shaft Sleeve Kit 1 5/8" Shaft	185022	185021LF	185021LF	185021LF
12	Water Slinger 1 5/8" Shaft	P53720	P53720	P53720	P53720

PARTS FOR STUFFING BOX CONSTRUCTION

8	Motor Bracket — Motor Frames 143JP, 145JP, 182JP & 184JP	P85023	P85023	P85023	Not Offered
10	Motor Bracket Capscrew for Above (4)	P40020	P40020	P40020	
15	Volute Coverplate 1 1/4" Shaft	P85031	P85031	P85031	
16	Volute Coverplate Capscrew 1 1/4" Shaft	P52320	P52320	P52320	
8	Motor Bracket — Motor Frames 213JP, 215JP, 254JP & 256JP	P85025	P85025	P85025	
10	Motor Bracket Capscrew for Above (4)	K03600	K03600	K03600	
8	Motor Bracket — Motor Frames 284JP & 286JP	P85099	P85099	P85099	
10	Motor Bracket Capscrew for Above (4)	P19490	P19490	P19490	
15	Volute Coverplate 1 5/8" Shaft	P85039	P85039	P85039	
16	Volute Coverplate Capscrew 1 5/8" Shaft (8)	P52320	P52320	P52320	
	Packing	See Table C or D, Page 31			
	Single Seal Components	See Table A, Page 31			
	Double Seal Components	See Table B, Page 31			
	Shaft Sleeve	See Table A, B, C, or D, Page 31			
1	Volute — 250 PSI Operation for PF and S Seals Only	P85355	P85355	*P85603	
12	Water Slinger 1 5/8" Shaft	P77320	P77320	P77320	

NOTE: 1 1/4" Shaft — up to and including Motor Frame 215JM. 1 5/8" Shaft — Motor Frame 213JP and larger. *Includes Wear Ring

— Factory recommended spare parts.

2 x 2 x 7 Pumps

ITEM NO.	DESCRIPTION	PUMP CONSTRUCTION			
		ALL IRON	BRONZE FITTED		
			STANDARD	W/WEAR RING	W/EPT SEAL

PARTS COMMON TO BOTH TYPES

6	Impeller (State Diameter) 1/4" Shaft	P85411	P85460	P85460	P85460
6	Impeller (State Diameter) 1/8" Shaft	P85433	P85465	P85465	P85465
3	Impeller Capscrew 1/4" Shaft	P52350	P52350	P52350	P52350
3	Impeller Capscrew 1/8" Shaft	P13800	P13800	P13800	P13800
4	Impeller Lockwasher 1/4" Shaft	J23874	J23874	J23874	J23874
4	Impeller Lockwasher 1/8" Shaft	J23875	J23875	J23875	J23875
5	Impeller Washer 1/4" Shaft	P46381	P46390	P46390	P46390
5	Impeller Washer 1/8" Shaft	P46382	P51250	P51250	P51250
7	Impeller Key 1/4" Shaft	P49369	P49369	P49369	P49369
7	Impeller Key 1/8" Shaft	P49372	P49372	P49372	P49372
1	Volute	P85311	P85311	*P85614	P85311
	Wear Ring	—	—	P48660	—
	Volute Drain Plug 1/4" (5)	P39050	P39040	P39040	P39040
2	Volute Gasket	P57700	P57700	P57700	P57700
12	Water Slinger 1/4" Shaft	P53550	P53550	P53550	P53550

PARTS FOR STANDARD SEAL CONSTRUCTION

8	Motor Bracket — Motor Frames 143JM-145JM, 182JM-184JM	186526	186526	186526	186526
8	Motor Bracket — F Construction Motor Frames 143JM-145JM, 182JM-184JM	—	P90523	P90523	P90523
10	Motor Bracket Capscrew for Above (4)	P40020	P40020	P40020	P40020
8	Motor Bracket — Motor Frames 213JM-215JM	186528	186528	186528	186528
8	Motor Bracket — F Construction Motor Frames 213JM-215JM	—	P90524	P90524	P90524
10	Motor Bracket Capscrew for Above (4)	K03600	K03600	K03600	K03600
8	Motor Bracket — Motor Frames 254JP	P77076	P77076	P77076	P77076
8	Motor Bracket — F Construction Motor Frame 254JP	—	P90525	P90525	P90525
10	Motor Bracket Capscrew for Above (4)	P13780	P13780	P13780	P13780
9	Volute Capscrew (8)	P40020	P40020	P40020	P40020
13	Seal Kit 1/4" Shaft	186860	186862LF	186862LF	186861LF
13	Seal Kit 1/8" Shaft	186544	186543LF	186543LF	185225LF
11	Shaft Sleeve Kit 1/4" Shaft	185025	185024LF	185024LF	185024LF
11	Shaft Sleeve Kit 1/8" Shaft	185022	185021LF	185021LF	185021LF
12	Water Slinger 1/8" Shaft	P53720	P53720	P53720	P53720

PARTS FOR STUFFING BOX CONSTRUCTION

8	Motor Bracket — Motor Frames 143JP, 145JP, 182JP & 184JP	P85023	P85023	P85023	Not Offered
10	Motor Bracket Capscrew for Above (4)	P40020	P40020	P40020	
15	Volute Coverplate 1/4" Shaft	P85027	P85027	P85027	
16	Volute Coverplate Capscrew 1/4" Shaft (4)	P52320	P52320	P52320	
8	Motor Bracket — Motor Frames 213JP, 215JP, 254JP	P85025	P85025	P85025	
10	Motor Bracket Capscrew for Above (4)	K03600	K03600	K03600	
15	Volute Coverplate 1/8" Shaft	P85035	P85035	P85035	
	Packing	See Table C or D, Page 31			
	Single Seal Components	See Table A, Page 31			
	Double Seal Components	See Table B, Page 31			
	Shaft Sleeve	See Table A, B, C, or D, Page 31			
1	Volute — 250 PSI Operation for PF and S Seals Only	P85312	P85312	*P85615	
9	Volute Capscrew 1/4" Shaft (8)	P40020	P40020	P40020	
9	Volute Capscrew 1/8" Shaft (8)	H28300	H28300	H28300	
12	Water Slinger 1/8" Shaft	P77320	P77320	P77320	

NOTE: 1/4" Shaft — up to and including Motor Frame 215JM. 1/8" Shaft — Motor Frame 213JP and larger. *Includes Wear Ring
 ■ — Factory recommended spare parts.

2 x 2 x 9¹/₂ Pumps

ITEM NO.	DESCRIPTION	PUMP CONSTRUCTION			
		ALL IRON	BRONZE FITTED		
			STANDARD	W/WEAR RING	W/EPT SEAL

PARTS COMMON TO BOTH TYPES

6	Impeller (State Diameter) 1 ¹ / ₄ " Shaft	N/A	P85423	P85423	P85423
6	Impeller (State Diameter) 1 ⁵ / ₈ " Shaft	N/A	N/A	N/A	N/A
3	Impeller Capscrew 1 ¹ / ₄ " Shaft	P52350	P52350	P52350	P52350
3	Impeller Capscrew 1 ⁵ / ₈ " Shaft	P13800	P13800	P13800	P13800
4	Impeller Lockwasher 1 ¹ / ₄ " Shaft	J23874	J23874	J23874	J23874
4	Impeller Lockwasher 1 ⁵ / ₈ " Shaft	J23875	J23875	J23875	J23875
5	Impeller Washer 1 ¹ / ₄ " Shaft	P46381	P46390	P46390	P46390
5	Impeller Washer 1 ⁵ / ₈ " Shaft	P46382	P51250	P51250	P51250
7	Impeller Key 1 ¹ / ₄ " Shaft	P49369	P49369	P49369	P49369
7	Impeller Key 1 ⁵ / ₈ " Shaft	P49372	P49372	P49372	P49372
1	Volute	N/A	N/A	N/A	N/A
	Wear Ring	—	—	P85398	—
	Volute Drain Plug 1 ¹ / ₄ " (3)	P39050	P39040	P39040	P39040
	Volute Drain Plug 1 ⁵ / ₈ " (3)	P39030	P39020	P39020	P39020
9	Volute Capscrew (12)	P03470	P03470	P03470	P03470
2	Volute Gasket	P48690	P48690	P48690	P48690
12	Water Slinger 1 ¹ / ₄ " Shaft	P53550	P53550	P53550	P53550

PARTS FOR STANDARD SEAL CONSTRUCTION

8	Motor Bracket — Motor Frames 145JM, 182JM-184JM	186533	186533	186533	186533
10	Motor Bracket Capscrew for Above (4)	P40020	P40020	P40020	P40020
8	Motor Bracket — Motor Frames 213JM-215JM	186530	186530	186530	186530
10	Motor Bracket Capscrew for Above (4)	K03600	K03600	K03600	K03600
8	Motor Bracket — Motor Frames 254JP-256JP	P77166	P77166	P77166	P77166
10	Motor Bracket Capscrew for Above (4)	P13780	P13780	P13780	P13780
8	Motor Bracket — Motor Frames 284JP-286JP	P53500	P53500	P53500	P53500
10	Motor Bracket Capscrew for Above (4)	P19490	P19490	P19490	P19490
13	Seal Kit 1 ¹ / ₄ " Shaft	186860	186862LF	186862LF	186861LF
13	Seal Kit 1 ⁵ / ₈ " Shaft	186544	186543LF	186543LF	185225LF
11	Shaft Sleeve Kit 1 ¹ / ₄ " Shaft	185025	185024LF	185024LF	185024LF
11	Shaft Sleeve Kit 1 ⁵ / ₈ " Shaft	185022	185021LF	185021LF	185021LF
12	Water Slinger 1 ⁵ / ₈ " Shaft	P53720	P53720	P53720	P53720

PARTS FOR STUFFING BOX CONSTRUCTION

8	Motor Bracket — Motor Frames 145JP, 182JP & 184JP	P85023	P85023	P85023	Not Offered
10	Motor Bracket Capscrew for Above (4)	P40020	P40020	P40020	
15	Volute Coverplate 1 ¹ / ₄ " Shaft	P85031	P85031	P85031	
16	Volute Coverplate Capscrew 1 ¹ / ₄ " Shaft (4)	P52320	P52320	P52320	
8	Motor Bracket — Motor Frames 213JP, 215JP, 254JP & 256JP	P85025	P85025	P85025	
10	Motor Bracket Capscrew for Above (4)	K03600	K03600	K03600	
8	Motor Bracket — Motor Frames 284JP & 286JP	P85099	P85099	P85099	
10	Motor Bracket Capscrew for Above (4)	P19490	P19490	P19490	
15	Volute Coverplate 1 ⁵ / ₈ " Shaft	P85039	P85039	P85039	
16	Volute Coverplate Capscrew 1 ⁵ / ₈ " Shaft (8)	P52320	P52320	P52320	
	Packing	See Table C or D, Page 31			
	Single Seal Components	See Table A, Page 31			
	Double Seal Components	See Table B, Page 31			
	Shaft Sleeve	See Table A, B, C, or D, Page 31			
1	Volute — 250 PSI Operation for PF and S Seals Only	N/A	N/A	N/A	
12	Water Slinger 1 ⁵ / ₈ " Shaft	P77320	P77320	P77320	

NOTE: 1¹/₄" Shaft — up to and including Motor Frame 215JM. 1⁵/₈" Shaft — Motor Frame 213JP and larger.

■ — Factory recommended spare parts.

N/A — NO LONGER AVAILABLE If impeller or volute is required, both must be replaced to make a current style pump.

2 x 2 x 9¹/₂B Pumps

ITEM NO.	DESCRIPTION	PUMP CONSTRUCTION			
		ALL IRON	BRONZE FITTED		
			STANDARD	W/WEAR RING	W/EPT SEAL

PARTS COMMON TO BOTH TYPES

6	Impeller (State Diameter) 1 ¹ / ₄ " Shaft	P85563	P85521	P85521	P85521
6	Impeller (State Diameter) 1 ⁵ / ₈ " Shaft	P85569	P85533	P85533	P85533
3	Impeller Capscrew 1 ¹ / ₄ " Shaft	P52350	P52350	P52350	P52350
3	Impeller Capscrew 1 ⁵ / ₈ " Shaft	P13800	P13800	P13800	P13800
4	Impeller Lockwasher 1 ¹ / ₄ " Shaft	J23874	J23874	J23874	J23874
4	Impeller Lockwasher 1 ⁵ / ₈ " Shaft	J23875	J23875	J23875	J23875
5	Impeller Washer 1 ¹ / ₄ " Shaft	P46381	P46390	P46390	P46390
5	Impeller Washer 1 ⁵ / ₈ " Shaft	P46382	P51250	P51250	P51250
7	Impeller Key 1 ¹ / ₄ " Shaft	P49369	P49369	P49369	P49369
7	Impeller Key 1 ⁵ / ₈ " Shaft	P49372	P49372	P49372	P49372
1	Volute	P85344	P85344	*P85622	P85344
	Wear Ring	—	—	P49130	—
	Volute Drain Plug 1 ¹ / ₄ " (5)	P39050	P39040	P39040	P39040
9	Volute Capscrew (12)	P03470	P03470	P03470	P03470
2	Volute Gasket	P48690	P48690	P48690	P48690
12	Water Slinger 1 ¹ / ₄ " Shaft	P53550	P53550	P53550	P53550

PARTS FOR STANDARD SEAL CONSTRUCTION

8	Motor Bracket — Motor Frames 143JM-145JM, 182JM-184JM	186533	186533	186533	186533
8	Motor Bracket — F Construction Motor Frames 143JM-145JM, 182JM-184JM	—	P90527	P90527	P90527
10	Motor Bracket Capscrew for Above (4)	P40020	P40020	P40020	P40020
8	Motor Bracket — Motor Frames 213JM-215JM	186530	186530	186530	186530
8	Motor Bracket — F Construction Motor Frames 213JM-215JM	—	P90528	P90528	P90528
10	Motor Bracket Capscrew for Above (4)	K03600	K03600	K03600	K03600
8	Motor Bracket — Motor Frames 254JP-256JP	P77166	P77166	P77166	P77166
8	Motor Bracket — F Construction Motor Frames 254JP-256JP	—	P90529	P90529	P90529
10	Motor Bracket Capscrew for Above (4)	P13780	P13780	P13780	P13780
8	Motor Bracket — Motor Frames 284JP-286JP	P53500	P53500	P53500	P53500
8	Motor Bracket — F Construction Motor Frames 284JP-286JP	—	P90530	P90530	P90530
10	Motor Bracket Capscrew for Above (4)	P19490	P19490	P19490	P19490
13	Seal Kit 1 ¹ / ₄ " Shaft	186860	186862LF	186862LF	186861LF
13	Seal Kit 1 ⁵ / ₈ " Shaft	186544	186543LF	186543LF	185225LF
11	Shaft Sleeve Kit 1 ¹ / ₄ " Shaft	185025	185024LF	185024LF	185024LF
11	Shaft Sleeve Kit 1 ⁵ / ₈ " Shaft	185022	185021LF	185021LF	185021LF
12	Water Slinger 1 ⁵ / ₈ " Shaft	P53720	P53720	P53720	P53720

PARTS FOR STUFFING BOX CONSTRUCTION

8	Motor Bracket — Motor Frames 143JP, 145JP, 182JP & 184JP	P85023	P85023	P85023	Not Offered
10	Motor Bracket Capscrew for Above (4)	P40020	P40020	P40020	
15	Volute Coverplate 1 ¹ / ₄ " Shaft	P85031	P85031	P85031	
16	Volute Coverplate Capscrew 1 ¹ / ₄ " Shaft (4)	P52320	P52320	P52320	
8	Motor Bracket — Motor Frames 213JP, 215JP, 254JP & 256JP	P85025	P85025	P85025	
10	Motor Bracket Capscrew for Above (4)	K03600	K03600	K03600	
8	Motor Bracket — Motor Frames 284JP & 286JP	P85099	P85099	P85099	
10	Motor Bracket Capscrew for Above (4)	P19490	P19490	P19490	
15	Volute Coverplate 1 ⁵ / ₈ " Shaft	P85039	P85039	P85039	
16	Volute Coverplate Capscrew 1 ⁵ / ₈ " Shaft (8)	P52320	P52320	P52320	
	Packing	See Table C or D, Page 31			
	Single Seal Components	See Table A, Page 31			
	Double Seal Components	See Table B, Page 31			
	Shaft Sleeve	See Table A, B, C, or D, Page 31			
1	Volute — 250 PSI Operation for PF and S Seals Only	P85345	P85345	*P85623	
12	Water Slinger 1 ⁵ / ₈ " Shaft	P77320	P77320	P77320	

NOTE: 1¹/₄" Shaft — up to and including Motor Frame 215JM. 1⁵/₈" Shaft — Motor Frame 213JP and larger. *Includes Wear Ring

— Factory recommended spare parts.

2¹/₂ x 2¹/₂ x 7 Pumps

ITEM NO.	DESCRIPTION	PUMP CONSTRUCTION			
		ALL IRON	BRONZE FITTED		
			STANDARD	W/WEAR RING	W/EPT SEAL

PARTS COMMON TO BOTH TYPES

6	Impeller (State Diameter) 1 ¹ / ₄ " Shaft	P85562	P85520	P85520	P85520
6	Impeller (State Diameter) 1 ⁵ / ₈ " Shaft	P85568	P85532	P85532	P85532
3	Impeller Capscrew 1 ¹ / ₄ " Shaft	P52350	P52350	P52350	P52350
3	Impeller Capscrew 1 ⁵ / ₈ " Shaft	P13800	P13800	P13800	P13800
4	Impeller Lockwasher 1 ¹ / ₄ " Shaft	J23874	J23874	J23874	J23874
4	Impeller Lockwasher 1 ⁵ / ₈ " Shaft	J23875	J23875	J23875	J23875
5	Impeller Washer 1 ¹ / ₄ " Shaft	P46381	P46390	P46390	P46390
5	Impeller Washer 1 ⁵ / ₈ " Shaft	P46382	P51250	P51250	P51250
7	Impeller Key 1 ¹ / ₄ " Shaft	P49369	P49369	P49369	P49369
7	Impeller Key 1 ⁵ / ₈ " Shaft	P49372	P49372	P49372	P49372
1	Volute	P85314	P85314	*P85604	P85314
	Wear Ring	—	—	P49145	—
	Volute Drain Plug 1/4" (5)	P39050	P39040	P39040	P39040
2	Volute Gasket	P57700	P57700	P57700	P57700
12	Water Slinger 1 ¹ / ₄ " Shaft	P53550	P53550	P53550	P53550

PARTS FOR STANDARD SEAL CONSTRUCTION

8	Motor Bracket — Motor Frames 143JM-145JM, 182JM-184JM	186526	186526	186526	186526
8	Motor Bracket — F Construction Motor Frames 143JM-145JM, 182JM-184JM	—	P90523	P90523	P90523
10	Motor Bracket Capscrew for Above (4)	P40020	P40020	P40020	P40020
8	Motor Bracket — Motor Frames 213JM-215JM	186528	186528	186528	186528
8	Motor Bracket — F Construction Motor Frames 213JM-215JM	—	P90524	P90524	P90524
10	Motor Bracket Capscrew for Above (4)	K03600	K03600	K03600	K03600
8	Motor Bracket — Motor Frames 254JP-256JP	P77066	P77066	P77066	P77066
8	Motor Bracket — F Construction Motor Frames 254JP-256JP	—	P90525	P90525	P90525
10	Motor Bracket Capscrew for Above (4)	P13780	P13780	P13780	P13780
9	Volute Capscrew (8)	P40020	P40020	P40020	P40020
13	Seal Kit 1 ¹ / ₄ " Shaft	186860	186862LF	186862LF	186861LF
13	Seal Kit 1 ⁵ / ₈ " Shaft	186544	186543LF	186543LF	185225LF
11	Shaft Sleeve Kit 1 ¹ / ₄ " Shaft	185025	185024LF	185024LF	185024LF
11	Shaft Sleeve Kit 1 ⁵ / ₈ " Shaft	185022	185021LF	185021LF	185021LF
12	Water Slinger 1 ⁵ / ₈ " Shaft	P53720	P53720	P53720	P53720

PARTS FOR STUFFING BOX CONSTRUCTION

8	Motor Bracket — Motor Frames 143JP, 145JP, 182JP & 184JP	P85023	P85023	P85023	Not Offered
10	Motor Bracket Capscrew for Above (4)	P40020	P40020	P40020	
15	Volute Coverplate 1 ¹ / ₄ " Shaft	P85027	P85027	P85027	
16	Volute Coverplate Capscrew 1 ¹ / ₄ " Shaft (4)	P52320	P52320	P52320	
8	Motor Bracket — Motor Frames 213JP, 215JP, 254JP & 256JP	P85025	P85025	P85025	
10	Motor Bracket Capscrew for Above (4)	K03600	K03600	K03600	
15	Volute Coverplate 1 ⁵ / ₈ " Shaft	P85035	P85035	P85035	
	Packing	See Table C or D, Page 31			
	Single Seal Components	See Table A, Page 31			
	Double Seal Components	See Table B, Page 31			
	Shaft Sleeve	See Table A, B, C, or D, Page 31			
1	Volute — 250 PSI Operation for PF and S Seals Only	P85315	P85315	*P85605	
9	Volute Capscrew 1 ¹ / ₄ " Shaft (8)	P40020	P40020	P40020	
9	Volute Capscrew 1 ⁵ / ₈ " Shaft (8)	H28300	H28300	H28300	
12	Water Slinger 1 ⁵ / ₈ " Shaft	P77320	P77320	P77320	

NOTE: 1¹/₄" Shaft — up to and including Motor Frame 215JM. 1⁵/₈" Shaft — Motor Frame 213JP and larger. *Includes Wear Ring
 ■ — Factory recommended spare parts.

2¹/₂ x 2¹/₂ x 9¹/₂ Pumps

ITEM NO.	DESCRIPTION	PUMP CONSTRUCTION			
		ALL IRON	BRONZE FITTED		
			STANDARD	W/WEAR RING	W/EPT SEAL

PARTS COMMON TO BOTH TYPES

6	Impeller (State Diameter) 1 ¹ / ₄ " Shaft	N/A	P85427	P85427	P85427
6	Impeller (State Diameter) 1 ⁵ / ₈ " Shaft	N/A	N/A	N/A	N/A
3	Impeller Capscrew 1 ¹ / ₄ " Shaft	P52350	P52350	P52350	P52350
3	Impeller Capscrew 1 ⁵ / ₈ " Shaft	P13800	P13800	P13800	P13800
4	Impeller Lockwasher 1 ¹ / ₄ " Shaft	J23874	J23874	J23874	J23874
4	Impeller Lockwasher 1 ⁵ / ₈ " Shaft	J23875	J23875	J23875	J23875
5	Impeller Washer 1 ¹ / ₄ " Shaft	P46381	P46390	P46390	P46390
5	Impeller Washer 1 ⁵ / ₈ " Shaft	P46382	P51250	P51250	P51250
7	Impeller Key 1 ¹ / ₄ " Shaft	P49369	P49369	P49369	P49369
7	Impeller Key 1 ⁵ / ₈ " Shaft	P49372	P49372	P49372	P49372
1	Volute	N/A	N/A	N/A	N/A
	Wear Ring	—	—	P85399	—
	Volute Drain Plug 1/4" (3)	P39050	P39040	P39040	P39040
	Volute Drain Plug 1/8" (3)	P39030	P39020	P39020	P39020
9	Volute Capscrew (12)	P03470	P03470	P03470	P03470
2	Volute Gasket	P48690	P48690	P48690	P48690
12	Water Slinger 1 ¹ / ₄ " Shaft	P53550	P53550	P53550	P53550

PARTS FOR STANDARD SEAL CONSTRUCTION

8	Motor Bracket — Motor Frames 145JM, 182JM-184JM	186533	186533	186533	186533
10	Motor Bracket Capscrew for Above (4)	P40020	P40020	P40020	P40020
8	Motor Bracket — Motor Frames 213JM-215JM	186530	186530	186530	186530
10	Motor Bracket Capscrew for Above (4)	K03600	K03600	K03600	K03600
8	Motor Bracket — Motor Frames 254JP-256JP	P77166	P77166	P77166	P77166
10	Motor Bracket Capscrew for Above (4)	P13780	P13780	P13780	P13780
8	Motor Bracket — Motor Frames 284JP-286JP	P53500	P53500	P53500	P53500
10	Motor Bracket Capscrew for Above (4)	P19490	P19490	P19490	P19490
13	Seal Kit 1 ¹ / ₄ " Shaft	186860	186862LF	186862LF	186861LF
13	Seal Kit 1 ⁵ / ₈ " Shaft	186544	186543LF	186543LF	185225LF
11	Shaft Sleeve Kit 1 ¹ / ₄ " Shaft	185025	185024LF	185024LF	185024LF
11	Shaft Sleeve Kit 1 ⁵ / ₈ " Shaft	185022	185021LF	185021LF	185021LF
12	Water Slinger 1 ⁵ / ₈ " Shaft	P53720	P53720	P53720	P53720

PARTS FOR STUFFING BOX CONSTRUCTION

8	Motor Bracket — Motor Frames 145JP, 182JP & 184JP	P85023	P85023	P85023	Not Offered
10	Motor Bracket Capscrew for Above (4)	P40020	P40020	P40020	
15	Volute Coverplate 1 ¹ / ₄ " Shaft	P85031	P85031	P85031	
16	Volute Coverplate Capscrew 1 ¹ / ₄ " Shaft (4)	P52320	P52320	P52320	
8	Motor Bracket — Motor Frames 213JP, 215JP, 254JP & 256JP	P85025	P85025	P85025	
10	Motor Bracket Capscrew for Above (4)	K03600	K03600	K03600	
8	Motor Bracket — Motor Frames 284JP & 286JP	P85099	P85099	P85099	
10	Motor Bracket Capscrew for Above (4)	P19490	P19490	P19490	
15	Volute Coverplate 1 ⁵ / ₈ " Shaft	P85039	P85039	P85039	
16	Volute Coverplate Capscrew 1 ⁵ / ₈ " Shaft (8)	P52320	P52320	P52320	
	Packing	See Table C or D, Page 31			
	Single Seal Components	See Table A, Page 31			
	Double Seal Components	See Table B, Page 31			
	Shaft Sleeve	See Table A, B, C, or D, Page 31			
1	Volute — 250 PSI Operation for PF and S Seals Only	N/A	N/A	N/A	
12	Water Slinger 1 ⁵ / ₈ " Shaft	P77320	P77320	P77320	

NOTE: 1¹/₄" Shaft — up to and including Motor Frame 215JM. 1⁵/₈" Shaft — Motor Frame 213JP and larger.

— Factory recommended spare parts.

N/A — NO LONGER AVAILABLE If impeller or volute is required, both must be replaced to make a current style pump.

2¹/₂ x 2¹/₂ x 9¹/₂B Pumps

ITEM NO.	DESCRIPTION	PUMP CONSTRUCTION			
		ALL IRON	BRONZE FITTED		
			STANDARD	W/WEAR RING	W/EPT SEAL

PARTS COMMON TO BOTH TYPES

6	Impeller (State Diameter) 1 ¹ / ₄ " Shaft	P85563	P85521	P85521	P85521
6	Impeller (State Diameter) 1 ⁵ / ₈ " Shaft	P85569	P85533	P85533	P85533
3	Impeller Capscrew 1 ¹ / ₄ " Shaft	P52350	P52350	P52350	P52350
3	Impeller Capscrew 1 ⁵ / ₈ " Shaft	P13800	P13800	P13800	P13800
4	Impeller Lockwasher 1 ¹ / ₄ " Shaft	J23874	J23874	J23874	J23874
4	Impeller Lockwasher 1 ⁵ / ₈ " Shaft	J23875	J23875	J23875	J23875
5	Impeller Washer 1 ¹ / ₄ " Shaft	P46381	P46390	P46390	P46390
5	Impeller Washer 1 ⁵ / ₈ " Shaft	P46382	P51250	P51250	P51250
7	Impeller Key 1 ¹ / ₄ " Shaft	P49369	P49369	P49369	P49369
7	Impeller Key 1 ⁵ / ₈ " Shaft	P49372	P49372	P49372	P49372
1	Volute	P85358	P85358	*P85606	P85358
	Wear Ring	—	—	P49130	—
	Volute Drain Plug 1/4" (5)	P39050	P39040	P39040	P39040
9	Volute Capscrew (12)	P03470	P03470	P03470	P03470
2	Volute Gasket	P48690	P48690	P48690	P48690
12	Water Slinger 1 ¹ / ₄ " Shaft	P53550	P53550	P53550	P53550

PARTS FOR STANDARD SEAL CONSTRUCTION

8	Motor Bracket — Motor Frames 145JM, 182JM-184JM	186533	186533	186533	186533
8	Motor Bracket — F Construction Motor Frames 145JM, 182JM-184JM	—	P90527	P90527	P90527
10	Motor Bracket Capscrew for Above (4)	P40020	P40020	P40020	P40020
8	Motor Bracket — Motor Frames 213JM-215JM	186530	186530	186530	186530
8	Motor Bracket — F Construction Motor Frames 213JM-215JM	—	P90528	P90528	P90528
10	Motor Bracket Capscrew for Above (4)	K03600	K03600	K03600	K03600
8	Motor Bracket — Motor Frames 254JP-256JP	P77166	P77166	P77166	P77166
8	Motor Bracket — F Construction Motor Frames 254JP-256JP	—	P90529	P90529	P90529
10	Motor Bracket Capscrew for Above (4)	P13780	P13780	P13780	P13780
8	Motor Bracket — Motor Frames 284JP-286JP, 324JP-326JP	P53500	P53500	P53500	P53500
8	Motor Bracket — F Construction Motor Frames 284JP-286JP, 324JP-326JP	—	P90530	P90530	P90530
10	Motor Bracket Capscrew for Above (4)	P19490	P19490	P19490	P19490
13	Seal Kit 1 ¹ / ₄ " Shaft	186860	186862LF	186862LF	186861LF
13	Seal Kit 1 ⁵ / ₈ " Shaft	186544	186543LF	186543LF	185225LF
11	Shaft Sleeve Kit 1 ¹ / ₄ " Shaft	185025	185024LF	185024LF	185024LF
11	Shaft Sleeve Kit 1 ⁵ / ₈ " Shaft	185022	185021LF	185021LF	185021LF
12	Water Slinger 1 ⁵ / ₈ " Shaft	P53720	P53720	P53720	P53720

PARTS FOR STUFFING BOX CONSTRUCTION

8	Motor Bracket — Motor Frames 145JP, 182JP & 184JP	P85023	P85023	P85023	Not Offered
10	Motor Bracket Capscrew for Above (4)	P40020	P40020	P40020	
15	Volute Coverplate 1 ¹ / ₄ " Shaft	P85031	P85031	P85031	
16	Volute Coverplate Capscrew 1 ¹ / ₄ " Shaft (4)	P52320	P52320	P52320	
8	Motor Bracket — Motor Frames 213JP, 215JP, 254JP & 256JP	P85025	P85025	P85025	
10	Motor Bracket Capscrew for Above (4)	K03600	K03600	K03600	
8	Motor Bracket — Motor Frames 284JP & 286JP	P85099	P85099	P85099	
10	Motor Bracket Capscrew for Above (4)	P19490	P19490	P19490	
15	Volute Coverplate 1 ⁵ / ₈ " Shaft	P85039	P85039	P85039	
16	Volute Coverplate Capscrew 1 ⁵ / ₈ " Shaft (8)	P52320	P52320	P52320	
	Packing	See Table C or D, Page 31			
	Single Seal Components	See Table A, Page 31			
	Double Seal Components	See Table B, Page 31			
	Shaft Sleeve	See Table A, B, C, or D, Page 31			
1	Volute — 250 PSI Operation for PF and S Seals Only	P85359	P85359	*P85607	
12	Water Slinger 1 ⁵ / ₈ " Shaft	P77320	P77320	P77320	

NOTE: 1¹/₄" Shaft — up to and including Motor Frame 215JM. 1⁵/₈" Shaft — Motor Frame 213JP and larger. *Includes Wear Ring

— Factory recommended spare parts.

3 x 3 x 7 Pumps

ITEM NO.	DESCRIPTION	PUMP CONSTRUCTION			
		ALL IRON	BRONZE FITTED		
			STANDARD	W/WEAR RING	W/EPT SEAL

PARTS COMMON TO BOTH TYPES

6	Impeller (State Diameter) 1 $\frac{1}{4}$ " Shaft	N/A	P85415	P85415	P85415
6	Impeller (State Diameter) 1 $\frac{5}{8}$ " Shaft	N/A	N/A	N/A	N/A
3	Impeller Capscrew 1 $\frac{1}{4}$ " Shaft	P52350	P52350	P52350	P52350
3	Impeller Capscrew 1 $\frac{5}{8}$ " Shaft	P13800	P13800	P13800	P13800
4	Impeller Lockwasher 1 $\frac{1}{4}$ " Shaft	J23874	J23874	J23874	J23874
4	Impeller Lockwasher 1 $\frac{5}{8}$ " Shaft	J23875	J23875	J23875	J23875
5	Impeller Washer 1 $\frac{1}{4}$ " Shaft	P46381	P46390	P46390	P46390
5	Impeller Washer 1 $\frac{5}{8}$ " Shaft	P46382	P51250	P51250	P51250
7	Impeller Key 1 $\frac{1}{4}$ " Shaft	P49369	P49369	P49369	P49369
7	Impeller Key 1 $\frac{5}{8}$ " Shaft	P49372	P49372	P49372	P49372
1	Volute	N/A	N/A	N/A	N/A
	Wear Ring	—	—	P49130	—
	Volute Drain Plug $\frac{1}{4}$ " (3)	P39050	P39040	P39040	P39040
	Volute Drain Plug $\frac{1}{8}$ " (3)	P39030	P39020	P39020	P39020
2	Volute Gasket	P57700	P57700	P57700	P57700
12	Water Slinger 1 $\frac{1}{4}$ " Shaft	P53550	P53550	P53550	P53550

PARTS FOR STANDARD SEAL CONSTRUCTION

8	Motor Bracket — Motor Frames 145JM, 182JM-184JM	186526	186526	186526	186526
10	Motor Bracket Capscrew for Above (4)	P40020	P40020	P40020	P40020
8	Motor Bracket — Motor Frames 213JM-215JM	186528	186528	186528	186528
10	Motor Bracket Capscrew for Above (4)	K03600	K03600	K03600	K03600
8	Motor Bracket — Motor Frames 254JP-256JP	P77076	P77076	P77076	P77076
10	Motor Bracket Capscrew for Above (4)	P13780	P13780	P13780	P13780
9	Volute Capscrew (8)	P40020	P40020	P40020	P40020
13	Seal Kit 1 $\frac{1}{4}$ " Shaft	186860	186862LF	186862LF	186861LF
13	Seal Kit 1 $\frac{5}{8}$ " Shaft	186544	186543LF	186543LF	185225LF
11	Shaft Sleeve Kit 1 $\frac{1}{4}$ " Shaft	185025	185024LF	185024LF	185024LF
11	Shaft Sleeve Kit 1 $\frac{5}{8}$ " Shaft	185022	185021LF	185021LF	185021LF
12	Water Slinger 1 $\frac{5}{8}$ " Shaft	P53720	P53720	P53720	P53720

PARTS FOR STUFFING BOX CONSTRUCTION

8	Motor Bracket — Motor Frames 143JP, 145JP, 182JP & 184JP	P85023	P85023	P85023	Not Offered
10	Motor Bracket Capscrew for Above (4)	P40020	P40020	P40020	
15	Volute Coverplate 1 $\frac{1}{4}$ " Shaft	P85027	P85027	P85027	
16	Volute Coverplate Capscrew 1 $\frac{1}{4}$ " Shaft (4)	P52320	P52320	P52320	
8	Motor Bracket — Motor Frames 213JP, 215JP, 254JP & 256JP	P85025	P85025	P85025	
10	Motor Bracket Capscrew for Above (4)	K03600	K03600	K03600	
15	Volute Coverplate 1 $\frac{5}{8}$ " Shaft	P85035	P85035	P85035	
	Packing	See Table C or D, Page 31			
	Single Seal Components	See Table A, Page 31			
	Double Seal Components	See Table B, Page 31			
	Shaft Sleeve	See Table A, B, C, or D, Page 31			
1	Volute — 250 PSI Operation for PF and S Seals Only	N/A	N/A	N/A	
9	Volute Capscrew 1 $\frac{1}{4}$ " Shaft (8)	P40020	P40020	P40020	
9	Volute Capscrew 1 $\frac{5}{8}$ " Shaft (8)	H28300	H28300	H28300	
12	Water Slinger 1 $\frac{5}{8}$ " Shaft	P77320	P77320	P77320	

NOTE: 1 $\frac{1}{4}$ " Shaft — up to and including Motor Frame 215JM. 1 $\frac{5}{8}$ " Shaft — Motor Frame 213JP and larger.

— Factory recommended spare parts.

N/A — NO LONGER AVAILABLE If impeller or volute is required, both must be replaced to make a current style pump.

3 x 3 x 7_B Pumps

ITEM NO.	DESCRIPTION	PUMP CONSTRUCTION			
		ALL IRON	BRONZE FITTED		
			STANDARD	W/WEAR RING	W/EPT SEAL

PARTS COMMON TO BOTH TYPES

6	Impeller (State Diameter) 1 ¹ / ₄ " Shaft	P85564	P85522	P85522	P85522
6	Impeller (State Diameter) 1 ⁵ / ₈ " Shaft	P85570	P85534	P85534	P85534
3	Impeller Capscrew 1 ¹ / ₄ " Shaft	P52350	P52350	P52350	P52350
3	Impeller Capscrew 1 ⁵ / ₈ " Shaft	P13800	P13800	P13800	P13800
4	Impeller Lockwasher 1 ¹ / ₄ " Shaft	J23874	J23874	J23874	J23874
4	Impeller Lockwasher 1 ⁵ / ₈ " Shaft	J23875	J23875	J23875	J23875
5	Impeller Washer 1 ¹ / ₄ " Shaft	P46381	P46390	P46390	P46390
5	Impeller Washer 1 ⁵ / ₈ " Shaft	P46382	P51250	P51250	P51250
7	Impeller Key 1 ¹ / ₄ " Shaft	P49369	P49369	P49369	P49369
7	Impeller Key 1 ⁵ / ₈ " Shaft	P49372	P49372	P49372	P49372
1	Volute	P85324	P85324	*P85608	P85324
	Wear Ring	—	—	P85399	—
	Volute Drain Plug 1/4" (5)	P39050	P39040	P39040	P39040
2	Volute Gasket	P57700	P57700	P57700	P57700
12	Water Slinger 1 ¹ / ₄ " Shaft	P53550	P53550	P53550	P53550

PARTS FOR STANDARD SEAL CONSTRUCTION

8	Motor Bracket — Motor Frames 143JM-145JM, 182JM-184JM	186526	186526	186526	186526
8	Motor Bracket — F Construction Motor Frames 143JM-145JM, 182JM-184JM	—	P90523	P90523	P90523
10	Motor Bracket Capscrew for Above (4)	P40020	P40020	P40020	P40020
8	Motor Bracket — Motor Frames 213JM-215JM	186528	186528	186528	186528
8	Motor Bracket — F Construction Motor Frames 213JM-215JM	—	P90524	P90524	P90524
10	Motor Bracket Capscrew for Above (4)	K03600	K03600	K03600	K03600
8	Motor Bracket — Motor Frames 254JP-256JP	P77076	P77076	P77076	P77076
8	Motor Bracket — F Construction Motor Frames 254JP-256JP	—	P90525	P90525	P90525
10	Motor Bracket Capscrew for Above (4)	P13780	P13780	P13780	P13780
9	Volute Capscrew (8)	P40020	P40020	P40020	P40020
13	Seal Kit 1 ¹ / ₄ " Shaft	186860	186862LF	186862LF	186861LF
13	Seal Kit 1 ⁵ / ₈ " Shaft	186544	186543LF	186543LF	185225LF
11	Shaft Sleeve Kit 1 ¹ / ₄ " Shaft	185025	185024LF	185024LF	185024LF
11	Shaft Sleeve Kit 1 ⁵ / ₈ " Shaft	185022	185021LF	185021LF	185021LF
12	Water Slinger 1 ⁵ / ₈ " Shaft	P53720	P53720	P53720	P53720

PARTS FOR STUFFING BOX CONSTRUCTION

8	Motor Bracket — Motor Frames 143JP, 145JP, 182JP & 184JP	P85023	P85023	P85023	Not Offered
10	Motor Bracket Capscrew for Above (4)	P40020	P40020	P40020	
15	Volute Coverplate 1 ¹ / ₄ " Shaft	P85027	P85027	P85027	
16	Volute Coverplate Capscrew 1 ¹ / ₄ " Shaft (4)	P52320	P52320	P52320	
8	Motor Bracket — Motor Frames 213JP, 215JP, 254JP & 256JP	P85025	P85025	P85025	
10	Motor Bracket Capscrew for Above (4)	K03600	K03600	K03600	
15	Volute Coverplate 1 ⁵ / ₈ " Shaft	P85035	P85035	P85035	
	Packing	See Table C or D, Page 31			
	Single Seal Components	See Table A, Page 31			
	Double Seal Components	See Table B, Page 31			
	Shaft Sleeve	See Table A, B, C, or D, Page 31			
1	Volute — 250 PSI Operation for PF and S Seals Only	P85325	P85325	*P85609	
9	Volute Capscrew 1 ¹ / ₄ " Shaft (8)	P40020	P40020	P40020	
9	Volute Capscrew 1 ⁵ / ₈ " Shaft (8)	H28300	H28300	H28300	
12	Water Slinger 1 ⁵ / ₈ " Shaft	P77320	P77320	P77320	

NOTE: 1¹/₄" Shaft — up to and including Motor Frame 215JM. 1⁵/₈" Shaft — Motor Frame 213JP and larger. *Includes Wear Ring
 ■ — Factory recommended spare parts.

3 x 3 x 9¹/₂ Pumps

ITEM NO.	DESCRIPTION	PUMP CONSTRUCTION			
		ALL IRON	BRONZE FITTED		
			STANDARD	W/WEAR RING	W/EPT SEAL

PARTS COMMON TO BOTH TYPES

6	Impeller (State Diameter) 1 ¹ / ₄ " Shaft	N/A	P85431	P85431	P85431
6	Impeller (State Diameter) 1 ⁵ / ₈ " Shaft	N/A	N/A	N/A	N/A
3	Impeller Capscrew 1 ¹ / ₄ " Shaft	P52350	P52350	P52350	P52350
3	Impeller Capscrew 1 ⁵ / ₈ " Shaft	P13800	P13800	P13800	P13800
4	Impeller Lockwasher 1 ¹ / ₄ " Shaft	J23874	J23874	J23874	J23874
4	Impeller Lockwasher 1 ⁵ / ₈ " Shaft	J23875	J23875	J23875	J23875
5	Impeller Washer 1 ¹ / ₄ " Shaft	P46381	P46390	P46390	P46390
5	Impeller Washer 1 ⁵ / ₈ " Shaft	P46382	P51250	P51250	P51250
7	Impeller Key 1 ¹ / ₄ " Shaft	P49369	P49369	P49369	P49369
7	Impeller Key 1 ⁵ / ₈ " Shaft	P49372	P49372	P49372	P49372
1	Volute	N/A	N/A	N/A	N/A
	Wear Ring	—	—	P85400	—
	Volute Drain Plug 1 ¹ / ₄ " (3)	P39050	P39040	P39040	P39040
	Volute Drain Plug 1 ⁵ / ₈ " (3)	P39030	P39020	P39020	P39020
9	Volute Capscrew (12)	P03470	P03470	P03470	P03470
2	Volute Gasket	P48690	P48690	P48690	P48690
12	Water Slinger 1 ¹ / ₄ " Shaft	P53550	P53550	P53550	P53550

PARTS FOR STANDARD SEAL CONSTRUCTION

8	Motor Bracket — Motor Frames 184JM	186533	186533	186533	186533
10	Motor Bracket Capscrew for Above (4)	P40020	P40020	P40020	P40020
8	Motor Bracket — Motor Frames 213JM-215JM	186530	186530	186530	186530
10	Motor Bracket Capscrew for Above (4)	K03600	K03600	K03600	K03600
8	Motor Bracket — Motor Frames 254JP-256JP	P77166	P77166	P77166	P77166
10	Motor Bracket Capscrew for Above (4)	P13780	P13780	P13780	P13780
8	Motor Bracket — Motor Frames 284JP-286JP, 324JP-326JP	P53500	P53500	P53500	P53500
10	Motor Bracket Capscrew for Above (4)	P19490	P19490	P19490	P19490
13	Seal Kit 1 ¹ / ₄ " Shaft	186860	186862LF	186862LF	186861LF
13	Seal Kit 1 ⁵ / ₈ " Shaft	186544	186543LF	186543LF	185225LF
11	Shaft Sleeve Kit 1 ¹ / ₄ " Shaft	185025	185024LF	185024LF	185024LF
11	Shaft Sleeve Kit 1 ⁵ / ₈ " Shaft	185022	185021LF	185021LF	185021LF
12	Water Slinger 1 ⁵ / ₈ " Shaft	P53720	P53720	P53720	P53720

PARTS FOR STUFFING BOX CONSTRUCTION

8	Motor Bracket — Motor Frames 184JP	P85023	P85023	P85023	Not Offered
10	Motor Bracket Capscrew for Above (4)	P40020	P40020	P40020	
15	Volute Coverplate 1 ¹ / ₄ " Shaft	P85031	P85031	P85031	
16	Volute Coverplate Capscrew 1 ¹ / ₄ " Shaft (4)	P52320	P52320	P52320	
8	Motor Bracket — Motor Frames 213JP, 215JP, 254JP & 256JP	P85025	P85025	P85025	
10	Motor Bracket Capscrew for Above (4)	K03600	K03600	K03600	
8	Motor Bracket — Motor Frames 284JP, 286JP, 324JP & 326JP	P85099	P85099	P85099	
10	Motor Bracket Capscrew for Above (4)	P19490	P19490	P19490	
15	Volute Coverplate 1 ⁵ / ₈ " Shaft	P85039	P85039	P85039	
16	Volute Coverplate Capscrew 1 ⁵ / ₈ " Shaft (8)	P52320	P52320	P52320	
	Packing	See Table C or D, Page 31			
	Single Seal Components	See Table A, Page 31			
	Double Seal Components	See Table B, Page 31			
	Shaft Sleeve	See Table A, B, C, or D, Page 31			
1	Volute — 250 PSI Operation for PF and S Seals Only	N/A	N/A	N/A	
12	Water Slinger 1 ⁵ / ₈ " Shaft	P77320	P77320	P77320	

NOTE: 1¹/₄" Shaft — up to and including Motor Frame 215JM. 1⁵/₈" Shaft — Motor Frame 213JP and larger.

■ — Factory recommended spare parts.

N/A — NO LONGER AVAILABLE If impeller or volute is required, both must be replaced to make a current style pump.

3 x 3 x 9¹/₂B Pumps

ITEM NO.	DESCRIPTION	PUMP CONSTRUCTION			
		ALL IRON	BRONZE FITTED		
			STANDARD	W/WEAR RING	W/EPT SEAL

PARTS COMMON TO BOTH TYPES

6	Impeller (State Diameter) 1 ¹ / ₄ " Shaft	P85565	P85523	P85523	P85523
6	Impeller (State Diameter) 1 ⁵ / ₈ " Shaft	P85571	P85535	P85535	P85535
3	Impeller Capscrew 1 ¹ / ₄ " Shaft	P52350	P52350	P52350	P52350
3	Impeller Capscrew 1 ⁵ / ₈ " Shaft	P13800	P13800	P13800	P13800
4	Impeller Lockwasher 1 ¹ / ₄ " Shaft	J23874	J23874	J23874	J23874
4	Impeller Lockwasher 1 ⁵ / ₈ " Shaft	J23875	J23875	J23875	J23875
5	Impeller Washer 1 ¹ / ₄ " Shaft	P46381	P46390	P46390	P46390
5	Impeller Washer 1 ⁵ / ₈ " Shaft	P46382	P51250	P51250	P51250
7	Impeller Key 1 ¹ / ₄ " Shaft	P49369	P49369	P49369	P49369
7	Impeller Key 1 ⁵ / ₈ " Shaft	P49372	P49372	P49372	P49372
1	Volute	P85364	P85364	*P85610	P85364
	Wear Ring	—	—	P49870	—
	Volute Drain Plug 1/4" (5)	P39050	P39040	P39040	P39040
9	Volute Capscrew (12)	P03470	P03470	P03470	P03470
2	Volute Gasket	P48690	P48690	P48690	P48690
12	Water Slinger 1 ¹ / ₄ " Shaft	P53550	P53550	P53550	P53550

PARTS FOR STANDARD SEAL CONSTRUCTION

8	Motor Bracket — Motor Frame 184JM	186533	186533	186533	186533
8	Motor Bracket — F Construction Motor Frame 184JM	—	P90527	P90527	P90527
10	Motor Bracket Capscrew for Above (4)	P40020	P40020	P40020	P40020
8	Motor Bracket — Motor Frames 213JM-215JM	186530	186530	186530	186530
8	Motor Bracket — F Construction Motor Frames 213JM-215JM	—	P90528	P90528	P90528
10	Motor Bracket Capscrew for Above (4)	K03600	K03600	K03600	K03600
8	Motor Bracket — Motor Frames 254JP-256JP	P77166	P77166	P77166	P77166
8	Motor Bracket — F Construction Motor Frames 254JP-256JP	—	P90529	P90529	P90529
10	Motor Bracket Capscrew for Above (4)	P13780	P13780	P13780	P13780
8	Motor Bracket — Motor Frames 284JP-286JP, 324JP-326JP	P53500	P53500	P53500	P53500
8	Motor Bracket — F Construction Motor Frames 284JP-286JP, 324JP-326JP	—	P90530	P90530	P90530
10	Motor Bracket Capscrew for Above (4)	P19490	P19490	P19490	P19490
13	Seal Kit 1 ¹ / ₄ " Shaft	186860	186862LF	186862LF	186861LF
13	Seal Kit 1 ⁵ / ₈ " Shaft	186544	186543LF	186543LF	185225LF
11	Shaft Sleeve Kit 1 ¹ / ₄ " Shaft	185025	185024LF	185024LF	185024LF
11	Shaft Sleeve Kit 1 ⁵ / ₈ " Shaft	185022	185021LF	185021LF	185021LF
12	Water Slinger 1 ⁵ / ₈ " Shaft	P53720	P53720	P53720	P53720

PARTS FOR STUFFING BOX CONSTRUCTION

8	Motor Bracket — Motor Frames 145JP, 182JP & 184JP	P85023	P85023	P85023	Not Offered
10	Motor Bracket Capscrew for Above (4)	P40020	P40020	P40020	
15	Volute Coverplate 1 ¹ / ₄ " Shaft	P85031	P85031	P85031	
16	Volute Coverplate Capscrew 1 ¹ / ₄ " Shaft (4)	P52320	P52320	P52320	
8	Motor Bracket — Motor Frames 213JP, 215JP, 254JP & 256JP	P85025	P85025	P85025	
10	Motor Bracket Capscrew for Above (4)	K03600	K03600	K03600	
8	Motor Bracket — Motor Frames 284JP & 286JP	P85099	P85099	P85099	
10	Motor Bracket Capscrew for Above (4)	P19490	P19490	P19490	
15	Volute Coverplate 1 ⁵ / ₈ " Shaft	P85039	P85039	P85039	
16	Volute Coverplate Capscrew 1 ⁵ / ₈ " Shaft (8)	P52320	P52320	P52320	
	Packing	See Table C or D, Page 31			
	Single Seal Components	See Table A, Page 31			
	Double Seal Components	See Table B, Page 31			
	Shaft Sleeve	See Table A, B, C, or D, Page 31			
1	Volute — 250 PSI Operation for PF and S Seals Only	P85365	P85365	*P85611	
12	Water Slinger 1 ⁵ / ₈ " Shaft	P77320	P77320	P77320	

NOTE: 1¹/₄" Shaft — up to and including Motor Frame 215JM. 1⁵/₈" Shaft — Motor Frame 213JP and larger. *Includes Wear Ring

— Factory recommended spare parts.

3 x 3 x 11 Pumps

ITEM NO.	DESCRIPTION	PUMP CONSTRUCTION			
		ALL IRON	BRONZE FITTED		
			STANDARD	W/WEAR RING	W/EPT SEAL

PARTS COMMON TO BOTH TYPES

6	Impeller (State Diameter) 1 ¹ / ₄ " Shaft	P50197	P50193	→	→
6	Impeller (State Diameter) 1 ⁵ / ₈ " Shaft	P50206	P50202	→	→
3	Impeller Capscrew 1 ¹ / ₄ " Shaft	P52350	→	→	→
3	Impeller Capscrew 1 ⁵ / ₈ " Shaft	P13800	→	→	→
4	Impeller Lockwasher 1 ¹ / ₄ " Shaft	J23874	→	→	→
4	Impeller Lockwasher 1 ⁵ / ₈ " Shaft	J23875	→	→	→
5	Impeller Washer 1 ¹ / ₄ " Shaft	P46381	P46390	→	→
5	Impeller Washer 1 ⁵ / ₈ " Shaft	P46382	P51250	→	→
7	Impeller Key 1 ¹ / ₄ " Shaft	P49369	→	→	→
7	Impeller Key 1 ⁵ / ₈ " Shaft	P49372	→	→	→
1	Volute	P85647	→	*P82963	P85647
	Wear Ring	—	—	P49870	→
	Volute Drain Plug 1 ¹ / ₄ " (5)	P39050	P39040	→	→
9	Volute Capscrew (16)	P13780	→	→	→
2	Volute Gasket	P80765	→	→	→
12	Water Slinger 1 ¹ / ₄ " Shaft	P53550	→	→	→

PARTS FOR STANDARD SEAL CONSTRUCTION

8	Motor Bracket — Motor Frames 213JM-215JM	P53026	→	→	→
8	Motor Bracket — F Construction Motor Frames 213JM-215JM	—	P90532	→	→
10	Motor Bracket Capscrew for Above (4)	K03600	→	→	→
8	Motor Bracket — Motor Frames 254JP-256JP	P53032	→	→	→
8	Motor Bracket — Motor Frames 284JP-286JP & 324JP-326JP	P53036	→	→	→
8	Motor Bracket — F Construction Motor Frames 254JP-256JP	—	P90533	→	→
8	Motor Bracket — F Construction Motor Frames 284JP, 286JP, 324JP & 326JP	—	P90534	→	→
10	Motor Bracket Capscrew for Above (4)	P13780	→	→	→
13	Seal Kit 1 ¹ / ₄ " Shaft	186860	186862LF	→	186861LF
13	Seal Kit 1 ⁵ / ₈ " Shaft	186544	186543LF	→	185225LF
11	Shaft Sleeve Kit 1 ¹ / ₄ " Shaft	185025	185024LF	→	→
11	Shaft Sleeve Kit 1 ⁵ / ₈ " Shaft	185022	185021LF	→	→
12	Water Slinger 1 ⁵ / ₈ " Shaft	P53720	→	→	→

PARTS FOR STUFFING BOX CONSTRUCTION

8	Motor Bracket — Motor Frames 143-145JP	P85023	→	→	→
8	Motor Bracket — Motor Frames 213JP, 215JP, 254JP & 256JP	P85025	→	→	→
10	Motor Bracket Capscrew for Above (4)	K03600	→	→	→
8	Motor Bracket — Motor Frames 284JP, 286JP, 324JP & 326JP	P85099	→	→	→
10	Motor Bracket Capscrew for Above (4)	P19490	→	→	→
15	Volute Coverplate 1 ¹ / ₄ " Shaft	P53052	→	→	→
15	Volute Coverplate 1 ⁵ / ₈ " Shaft	P53056	→	→	→
16	Volute Coverplate Capscrew 1 ⁵ / ₈ " Shaft (8)	P52320	→	→	→
	Packing	See Table C or D, Page 31			
	Single Seal Components	See Table A, Page 31			
	Double Seal Components	See Table B, Page 31			
	Shaft Sleeve	See Table A, B, C, or D, Page 31			
1	Volute - 250 PSI Operation for PF and S	P85648	→	*P82964	P85648
12	Water Slinger 1 ⁵ / ₈ " Shaft	P77320	→	→	→

NOTE: 1¹/₄" Shaft — up to and including Motor Frame 215JM. 1⁵/₈" Shaft — Motor Frame 213JP and larger. *Includes Wear Ring
 — Factory recommended spare parts.

4 x 4 x 7 Pumps

ITEM NO.	DESCRIPTION	PUMP CONSTRUCTION			
		ALL IRON	BRONZE FITTED		
			STANDARD	W/WEAR RING	W/EPT SEAL

PARTS COMMON TO BOTH TYPES

6	Impeller (State Diameter) 1/4" Shaft	P85417	P85419	P85419	P85419
6	Impeller (State Diameter) 1/8" Shaft	P85439	P85441	P85441	P85441
3	Impeller Capscrew 1/4" Shaft	P52350	P52350	P52350	P52350
3	Impeller Capscrew 1/8" Shaft	P13800	P13800	P13800	P13800
4	Impeller Lockwasher 1/4" Shaft	J23874	J23874	J23874	J23874
4	Impeller Lockwasher 1/8" Shaft	J23875	J23875	J23875	J23875
5	Impeller Washer 1/4" Shaft	P46381	P46390	P46390	P46390
5	Impeller Washer 1/8" Shaft	P46382	P51250	P51250	P51250
7	Impeller Key 1/4" Shaft	P49369	P49369	P49369	P49369
7	Impeller Key 1/8" Shaft	P49372	P49372	P49372	P49372
1	Volute	P85331	P85331	*P85616	P85331
	Wear Ring	—	—	P85397	—
	Volute Drain Plug 1/4" (5)	P39050	P39040	P39040	P39040
2	Volute Gasket	P57700	P57700	P57700	P57700
12	Water Slinger 1/4" Shaft	P53550	P53550	P53550	P53550

PARTS FOR STANDARD SEAL CONSTRUCTION

8	Motor Bracket — Motor Frames 143JM, 182JM-184JM	186526	186526	186526	186526
8	Motor Bracket — F Construction Motor Frames 145JM, 182JM-184JM	—	P90523	P90523	P90523
10	Motor Bracket Capscrew for Above (4)	P40020	P40020	P40020	P40020
8	Motor Bracket — Motor Frames 213JM-215JM	186528	186528	186528	186528
8	Motor Bracket — F Construction Motor Frames 213JM-215JM	—	P90524	P90524	P90524
10	Motor Bracket Capscrew for Above (4)	K03600	K03600	K03600	K03600
8	Motor Bracket — Motor Frames 254JP-256JP	P77166	P77166	P77166	P77166
8	Motor Bracket — F Construction Motor Frames 254JP-256JP	—	P90525	P90525	P90525
10	Motor Bracket Capscrew for Above (4)	P13780	P13780	P13780	P13780
8	Motor Bracket — Motor Frames 284JP-286JP	P53880	P53880	P53880	P53880
8	Motor Bracket — F Construction Motor Frames 284JP-286JP	—	P90526	P90526	P90526
10	Motor Bracket Capscrew for Above (4)	P19490	P19490	P19490	P19490
9	Volute Capscrew (8)	P40020	P40020	P40020	P40020
13	Seal Kit 1/4" Shaft	186860	186862LF	186862LF	186861LF
13	Seal Kit 1/8" Shaft	186544	186543LF	186543LF	185225LF
11	Shaft Sleeve Kit 1/4" Shaft	185025	185024LF	185024LF	185024LF
11	Shaft Sleeve Kit 1/8" Shaft	185022	185021LF	185021LF	185021LF
12	Water Slinger 1/8" Shaft	P53720	P53720	P53720	P53720

PARTS FOR STUFFING BOX CONSTRUCTION

8	Motor Bracket — Motor Frames 145JP, 182JP & 184JP	P85023	P85023	P85023	Not Offered
10	Motor Bracket Capscrew for Above (4)	P40020	P40020	P40020	
15	Volute Coverplate 1/4" Shaft	P85027	P85027	P85027	
16	Volute Coverplate Capscrew 1/4" Shaft (4)	P52320	P52320	P52320	
8	Motor Bracket — Motor Frames 213JP, 215JP, 254JP & 256JP	P85025	P85025	P85025	
10	Motor Bracket Capscrew for Above (4)	K03600	K03600	K03600	
8	Motor Bracket — Motor Frames 284JP & 286JP	P85099	P85099	P85099	
10	Motor Bracket Capscrew for Above (4)	P19490	P19490	P19490	
15	Volute Coverplate 1/8" Shaft	P85035	P85035	P85035	
	Packing	See Table C or D, Page 31			
	Single Seal Components	See Table A, Page 31			
	Double Seal Components	See Table B, Page 31			
	Shaft Sleeve	See Table A, B, C, or D, Page 31			
1	Volute — 250 PSI Operation for PF and S Seals Only	P85332	P85332	*P85617	
9	Volute Capscrew 1/4" Shaft (8)	P40020	P40020	P40020	
9	Volute Capscrew 1/8" Shaft (8)	H28300	H28300	H28300	
12	Water Slinger 1/8" Shaft	P77320	P77320	P77320	

NOTE: 1/4" Shaft — up to and including Motor Frame 215JM. 1/8" Shaft — Motor Frame 213JP and larger. *Includes Wear Ring

— Factory recommended spare parts.

4 x 4 x 9¹/₂ Pumps

ITEM NO.	DESCRIPTION	PUMP CONSTRUCTION			
		ALL IRON	BRONZE FITTED		
			STANDARD	W/WEAR RING	W/EPT SEAL

PARTS COMMON TO BOTH TYPES

6	Impeller (State Diameter) 1 ¹ / ₄ " Shaft	P85454	P85466	P85466	P85466
6	Impeller (State Diameter) 1 ⁵ / ₈ " Shaft	P85455	P85468	P85468	P85468
3	Impeller Capscrew 1 ¹ / ₄ " Shaft	P52350	P52350	P52350	P52350
3	Impeller Capscrew 1 ⁵ / ₈ " Shaft	P13800	P13800	P13800	P13800
4	Impeller Lockwasher 1 ¹ / ₄ " Shaft	J23874	J23874	J23874	J23874
4	Impeller Lockwasher 1 ⁵ / ₈ " Shaft	J23875	J23875	J23875	J23875
5	Impeller Washer 1 ¹ / ₄ " Shaft	P46381	P46390	P46390	P46390
5	Impeller Washer 1 ⁵ / ₈ " Shaft	P46382	P51250	P51250	P51250
7	Impeller Key 1 ¹ / ₄ " Shaft	P49369	P49369	P49369	P49369
7	Impeller Key 1 ⁵ / ₈ " Shaft	P49372	P49372	P49372	P49372
1	Volute	P85371	P85371	*P85620	P85371
	Wear Ring	—	—	P85401	—
	Volute Drain Plug 1/4" (5)	P39050	P39040	P39040	P39040
9	Volute Capscrew (12)	P03470	P03470	P03470	P03470
2	Volute Gasket	P48690	P48690	P48690	P48690
12	Water Slinger 1 ¹ / ₄ " Shaft	P53550	P53550	P53550	P53550

PARTS FOR STANDARD SEAL CONSTRUCTION

8	Motor Bracket — Motor Frames 213JM-215JM	186530	186530	186530	186530
8	Motor Bracket — F Construction Motor Frames 213JM-215JM	—	P90528	P90528	P90528
10	Motor Bracket Capscrew for Above (4)	K03600	K03600	K03600	K03600
8	Motor Bracket — Motor Frames 254JP-256JP	P77166	P77166	P77166	P77166
8	Motor Bracket — F Construction Motor Frames 254JP-256JP	—	P90529	P90529	P90529
10	Motor Bracket Capscrew for Above (4)	P13780	P13780	P13780	P13780
13	Seal Kit 1 ¹ / ₄ " Shaft	186860	186862LF	186862LF	186861LF
13	Seal Kit 1 ⁵ / ₈ " Shaft	186544	186543LF	186543LF	185225LF
11	Shaft Sleeve Kit 1 ¹ / ₄ " Shaft	185025	185024LF	185024LF	185024LF
11	Shaft Sleeve Kit 1 ⁵ / ₈ " Shaft	185022	185021LF	185021LF	185021LF
12	Water Slinger 1 ⁵ / ₈ " Shaft	P53720	P53720	P53720	P53720

PARTS FOR STUFFING BOX CONSTRUCTION

8	Motor Bracket — Motor Frames 213JP-215JP, 254JP-256JP	P85025	P85025	P85025	Not Offered
10	Motor Bracket Capscrew (4)	K03600	K03600	K03600	
15	Volute Coverplate	P85039	P85039	P85039	
16	Volute Coverplate Capscrew (8)	P52320	P52320	P52320	
	Packing	See Table C or D, Page 31			
	Single Seal Components	See Table A, Page 31			
	Double Seal Components	See Table B, Page 31			
	Shaft Sleeve	See Table A, B, C, or D, Page 31			
1	Volute — 250 PSI Operation for PF and S Seals Only	P85372	P85372	*P85621	
12	Water Slinger 1 ⁵ / ₈ " Shaft	P77320	P77320	P77320	

NOTE: 1¹/₄" Shaft — up to and including Motor Frame 215JM. 1⁵/₈" Shaft — Motor Frame 213JP and larger. *Includes Wear Ring

■ — Factory recommended spare parts.

4 x 4 x 11 Pumps

ITEM NO.	DESCRIPTION	PUMP CONSTRUCTION			
		ALL IRON	BRONZE FITTED		
			STANDARD	W/WEAR RING	W/EPT SEAL

PARTS COMMON TO BOTH TYPES

6	Impeller (State Diameter) 1 ¹ / ₄ " Shaft	P50973	P50971	P50971	P50971
6	Impeller (State Diameter) 1 ⁵ / ₈ " Shaft	P50974	P50972	P50972	P50972
3	Impeller Capscrew 1 ¹ / ₄ " Shaft	P52350	P52350	P52350	P52350
3	Impeller Capscrew 1 ⁵ / ₈ " Shaft	P13800	P13800	P13800	P13800
4	Impeller Lockwasher 1 ¹ / ₄ " Shaft	J23874	J23874	J23874	J23874
4	Impeller Lockwasher 1 ⁵ / ₈ " Shaft	J23875	J23875	J23875	J23875
5	Impeller Washer 1 ¹ / ₄ " Shaft	P46381	P46390	P46390	P46390
5	Impeller Washer 1 ⁵ / ₈ " Shaft	P46382	P51250	P51250	P51250
7	Impeller Key 1 ¹ / ₄ " Shaft	P49369	P49369	P49369	P49369
7	Impeller Key 1 ⁵ / ₈ " Shaft	P49372	P49372	P49372	P49372
1	Volute	P85628	P85628	*P85640	P85628
	Wear Ring	—	—	P50650	—
	Volute Drain Plug 1 ¹ / ₄ " (3)	P39050	P39040	P39040	P39040
9	Volute Capscrew (12)	P13780	P13780	P13780	P13780
2	Volute Gasket	P80765	P80765	P80765	P80765
12	Water Slinger 1 ¹ / ₄ " Shaft	P53550	P53550	P53550	P53550

PARTS FOR STANDARD SEAL CONSTRUCTION

8	Motor Bracket — Motor Frames 182JM-184JM	P53022	P53022	P53022	P53022
8	Motor Bracket — F Construction Motor Frames 182JM-184JM	—	P90531	P90531	P90531
10	Motor Bracket Capscrew for Above (4)	P40020	P40020	P40020	P40020
8	Motor Bracket — Motor Frames 213JM-215JM	P53026	P53026	P53026	P53026
8	Motor Bracket — F Construction Motor Frames 213JM-215JM	—	P90532	P90532	P90532
10	Motor Bracket Capscrew for Above (4)	K03600	K03600	K03600	K03600
8	Motor Bracket — Motor Frames 254JP-256JP	P53032	P53032	P53032	P53032
8	Motor Bracket — F Construction Motor Frames 254JP-256JP	—	P90533	P90533	P90533
10	Motor Bracket Capscrew for Above (4)	P13780	P13780	P13780	P13780
13	Seal Kit 1 ¹ / ₄ " Shaft	186860	186862LF	186862LF	186861LF
13	Seal Kit 1 ⁵ / ₈ " Shaft	186544	186543LF	186543LF	185225LF
11	Shaft Sleeve Kit 1 ¹ / ₄ " Shaft	185025	185024LF	185024LF	185024LF
11	Shaft Sleeve Kit 1 ⁵ / ₈ " Shaft	185022	185021LF	185021LF	185021LF
12	Water Slinger 1 ⁵ / ₈ " Shaft	P53720	P53720	P53720	P53720

PARTS FOR STUFFING BOX CONSTRUCTION

8	Motor Bracket — Motor Frames 182JP-184JP	P85023	P85023	P85023	Not Offered
10	Motor Bracket Capscrew for Above (4)	P40020	P40020	P40020	
15	Volute Coverplate 1 ¹ / ₄ " Shaft	P53052	P53052	P53052	
16	Volute Coverplate Capscrew 1 ¹ / ₄ " Shaft (4)	P52320	P52320	P52320	
8	Motor Bracket — Motor Frames 213JP, 215JP, 254JP & 256JP	P85025	P85025	P85025	
10	Motor Bracket Capscrew for Above (4)	K03600	K03600	K03600	
15	Volute Coverplate 1 ⁵ / ₈ " Shaft	P53056	P53056	P53056	
16	Volute Coverplate Capscrew 1 ⁵ / ₈ " Shaft (8)	P52320	P52320	P52320	
	Packing	See Table C or D, Page 31			
	Single Seal Components	See Table A, Page 31			
	Double Seal Components	See Table B, Page 31			
	Shaft Sleeve	See Table A, B, C, or D, Page 31			
1	Volute — 250 PSI Operation for PF and S Seals Only	P85629	P85629	*P85643	
12	Water Slinger 1 ⁵ / ₈ " Shaft	P77320	P77320	P77320	

NOTE: 1¹/₄" Shaft — up to and including Motor Frame 215JM. 1⁵/₈" Shaft — Motor Frame 213JP and larger. *Includes Wear Ring
 ■ — Factory recommended spare parts.

5 x 5 x 7 Pumps

ITEM NO.	DESCRIPTION	PUMP CONSTRUCTION			
		ALL IRON	BRONZE FITTED		
			STANDARD	W/WEAR RING	W/EPT SEAL

PARTS COMMON TO BOTH TYPES

6	Impeller (State Diameter) 1 ¹ / ₄ " Shaft	P85471	P85470	P85470	P85470
6	Impeller (State Diameter) 1 ⁵ / ₈ " Shaft	P85473	P85472	P85472	P85472
3	Impeller Capscrew 1 ¹ / ₄ " Shaft	P52350	P52350	P52350	P52350
3	Impeller Capscrew 1 ⁵ / ₈ " Shaft	P13800	P13800	P13800	P13800
4	Impeller Lockwasher 1 ¹ / ₄ " Shaft	J23874	J23874	J23874	J23874
4	Impeller Lockwasher 1 ⁵ / ₈ " Shaft	J23875	J23875	J23875	J23875
5	Impeller Washer 1 ¹ / ₄ " Shaft	P46381	P46390	P46390	P46390
5	Impeller Washer 1 ⁵ / ₈ " Shaft	P46382	P51250	P51250	P51250
7	Impeller Key 1 ¹ / ₄ " Shaft	P49369	P49369	P49369	P49369
7	Impeller Key 1 ⁵ / ₈ " Shaft	P49372	P49372	P49372	P49372
1	Volute	P85334	P85334	*P85510	P85334
	Wear Ring	—	—	P49141	—
	Volute Drain Plug 1/4" (5)	P39050	P39040	P39040	P39040
2	Volute Gasket	P57700	P57700	P57700	P57700
12	Water Slinger 1 ¹ / ₄ " Shaft	P53550	P53550	P53550	P53550

PARTS FOR STANDARD SEAL CONSTRUCTION

8	Motor Bracket — Motor Frames 145JM, 182JM-184JM	186526	186526	186526	186526
8	Motor Bracket — F Construction Motor Frames 145JM, 182JM-184JM	—	P90523	P90523	P90523
10	Motor Bracket Capscrew for Above (4)	P40020	P40020	P40020	P40020
8	Motor Bracket — Motor Frames 213JM-215JM	186528	186528	186528	186528
8	Motor Bracket — F Construction Motor Frames 213JM-215JM	—	P90524	P90524	P90524
10	Motor Bracket Capscrew for Above (4)	K03600	K03600	K03600	K03600
8	Motor Bracket — Motor Frames 254JP-256JP	P77076	P77076	P77076	P77076
8	Motor Bracket — F Construction Motor Frames 254JP-256JP	—	P90525	P90525	P90525
10	Motor Bracket Capscrew for Above (4)	P13780	P13780	P13780	P13780
8	Motor Bracket — Motor Frames 284JP-286JP, 324JP-326JP	P53880	P53880	P53880	P53880
8	Motor Bracket — F Construction Motor Frames 284JP-286JP, 324JP-326JP	—	P90526	P90526	P90526
10	Motor Bracket Capscrew for Above (4)	P19490	P19490	P19490	P19490
9	Volute Capscrew (8)	P40020	P40020	P40020	P40020
13	Seal Kit 1 ¹ / ₄ " Shaft	186860	186862LF	186862LF	186861LF
13	Seal Kit 1 ⁵ / ₈ " Shaft	186544	186543LF	186543LF	185225LF
11	Shaft Sleeve Kit 1 ¹ / ₄ " Shaft	185025	185024LF	185024LF	185024LF
11	Shaft Sleeve Kit 1 ⁵ / ₈ " Shaft	185022	185021LF	185021LF	185021LF
12	Water Slinger 1 ⁵ / ₈ " Shaft	P53720	P53720	P53720	P53720

PARTS FOR STUFFING BOX CONSTRUCTION

8	Motor Bracket — Motor Frames 145JP, 182JP & 184JP	P85023	P85023	P85023	Not Offered
10	Motor Bracket Capscrew for Above (4)	P40020	P40020	P40020	
15	Volute Coverplate 1 ¹ / ₄ " Shaft	P85027	P85027	P85027	
16	Volute Coverplate Capscrew 1 ¹ / ₄ " Shaft (4)	P52320	P52320	P52320	
8	Motor Bracket — Motor Frames 213JP, 215JP, 254JP & 256JP	P85025	P85025	P85025	
10	Motor Bracket Capscrew for Above (4)	K03600	K03600	K03600	
8	Motor Bracket — Motor Frames 284JP & 286JP, 324JP & 326JP	P85099	P85099	P85099	
10	Motor Bracket Capscrew for Above (4)	P19490	P19490	P19490	
15	Volute Coverplate 1 ⁵ / ₈ " Shaft	P85035	P85035	P85035	
	Packing	See Table C or D, Page 31			
	Single Seal Components	See Table A, Page 31			
	Double Seal Components	See Table B, Page 31			
	Shaft Sleeve	See Table A, B, C, or D, Page 31			
1	Volute — 250 PSI Operation for PF and S Seals Only	P85335	P85335	*P85511	
9	Volute Capscrew 1 ¹ / ₄ " Shaft	P40020	P40020	P40020	
9	Volute Capscrew 1 ⁵ / ₈ " Shaft	H28300	H28300	H28300	
12	Water Slinger 1 ⁵ / ₈ " Shaft	P77320	P77320	P77320	

NOTE: 1¹/₄" Shaft — up to and including Motor Frame 215JM. 1⁵/₈" Shaft — Motor Frame 213JP and larger. *Includes Wear Ring

— Factory recommended spare parts.

5 x 5 x 9¹/₂ Pumps

ITEM NO.	DESCRIPTION	PUMP CONSTRUCTION			
		ALL IRON	BRONZE FITTED		
			STANDARD	W/WEAR RING	W/EPT SEAL

PARTS COMMON TO BOTH TYPES

6	Impeller (State Diameter) 1 ¹ / ₄ " Shaft	P85566	P85524	P85524	P85524
6	Impeller (State Diameter) 1 ⁵ / ₈ " Shaft	P85572	P85536	P85536	P85536
3	Impeller Capscrew 1 ¹ / ₄ " Shaft	P52350	P52350	P52350	P52350
3	Impeller Capscrew 1 ⁵ / ₈ " Shaft	P13800	P13800	P13800	P13800
4	Impeller Lockwasher 1 ¹ / ₄ " Shaft	J23874	J23874	J23874	J23874
4	Impeller Lockwasher 1 ⁵ / ₈ " Shaft	J23875	J23875	J23875	J23875
5	Impeller Washer 1 ¹ / ₄ " Shaft	P46381	P46390	P46390	P46390
5	Impeller Washer 1 ⁵ / ₈ " Shaft	P46382	P51250	P51250	P51250
7	Impeller Key 1 ¹ / ₄ " Shaft	P49369	P49369	P49369	P49369
7	Impeller Key 1 ⁵ / ₈ " Shaft	P49372	P49372	P49372	P49372
1	Volute	P85368	P85368	*P85612	P85368
	Wear Ring	—	—	P49142	—
	Volute Drain Plug 1 ¹ / ₄ " (5)	P39050	P39040	P39040	P39040
9	Volute Capscrew (12)	P03470	P03470	P03470	P03470
2	Volute Gasket	P48690	P48690	P48690	P48690
12	Water Slinger 1 ¹ / ₄ " Shaft	P53550	P53550	P53550	P53550

PARTS FOR STANDARD SEAL CONSTRUCTION

8	Motor Bracket — Motor Frames 213JM-215JM	186530	186530	186530	186530
8	Motor Bracket — F Construction Motor Frames 213JM-215JM	—	P90528	P90528	P90528
10	Motor Bracket Capscrew for Above (4)	K03600	K03600	K03600	K03600
8	Motor Bracket — Motor Frames 254JP-256JP	P77166	P77166	P77166	P77166
8	Motor Bracket — F Construction Motor Frames 254JP-256JP	—	P90529	P90529	P90529
10	Motor Bracket Capscrew for Above (4)	P13780	P13780	P13780	P13780
13	Seal Kit 1 ¹ / ₄ " Shaft	186860	186862LF	186862LF	186861LF
13	Seal Kit 1 ⁵ / ₈ " Shaft	186544	186543LF	186543LF	185225LF
11	Shaft Sleeve Kit 1 ¹ / ₄ " Shaft	185025	185024LF	185024LF	185024LF
11	Shaft Sleeve Kit 1 ⁵ / ₈ " Shaft	185022	185021LF	185021LF	185021LF
12	Water Slinger 1 ⁵ / ₈ " Shaft	P53720	P53720	P53720	P53720

PARTS FOR STUFFING BOX CONSTRUCTION

8	Motor Bracket — Motor Frames 213JP-215JP, 254JP & 256JP	P85025	P85025	P85025	Not Offered
10	Motor Bracket Capscrew (4)	K03600	K03600	K03600	
15	Volute Coverplate	P85039	P85039	P85039	
16	Volute Coverplate Capscrew (8)	P52320	P52320	P52320	
	Packing	See Table C or D, Page 31			
	Single Seal Components	See Table A, Page 31			
	Double Seal Components	See Table B, Page 31			
	Shaft Sleeve	See Table A, B, C, or D, Page 31			
1	Volute — 250 PSI Operation for PF and S Seals Only	P85369	P85369	*P85613	
12	Water Slinger 1 ⁵ / ₈ " Shaft	P77320	P77320	P77320	

NOTE: 1¹/₄" Shaft — up to and including Motor Frame 215JM. 1⁵/₈" Shaft — Motor Frame 213JP and larger. *Includes Wear Ring

— Factory recommended spare parts.

6 x 6 x 7 Pumps

ITEM NO.	DESCRIPTION	PUMP CONSTRUCTION			
		ALL IRON	BRONZE FITTED		
			STANDARD	W/WEAR RING	W/EPT SEAL

PARTS COMMON TO BOTH TYPES

6	Impeller (State Diameter) 1/4" Shaft	P85538	P85537	P85537	P85537
6	Impeller (State Diameter) 1/8" Shaft	P85540	P85539	P85539	P85539
3	Impeller Capscrew 1/4" Shaft	P52350	P52350	P52350	P52350
3	Impeller Capscrew 1/8" Shaft	P13800	P13800	P13800	P13800
4	Impeller Lockwasher 1/4" Shaft	J23874	J23874	J23874	J23874
4	Impeller Lockwasher 1/8" Shaft	J23875	J23875	J23875	J23875
5	Impeller Washer 1/4" Shaft	P46381	P46390	P46390	P46390
5	Impeller Washer 1/8" Shaft	P46382	P51250	P51250	P51250
7	Impeller Key 1/4" Shaft	P49369	P49369	P49369	P49369
7	Impeller Key 1/8" Shaft	P49372	P49372	P49372	P49372
1	Volute	P85337	P85337	*P85512	P85337
	Wear Ring	—	—	P49142	—
	Volute Drain Plug 1/4" (5)	P39050	P39040	P39040	P39040
2	Volute Gasket	P57700	P57700	P57700	P57700
12	Water Slinger 1/4" Shaft	P53550	P53550	P53550	P53550

PARTS FOR STANDARD SEAL CONSTRUCTION

8	Motor Bracket — Motor Frames 182JM-184JM	186526	186526	186526	186526
8	Motor Bracket — F Construction Motor Frames 182JM-184JM	—	P90523	P90523	P90523
10	Motor Bracket Capscrew for Above (4)	P40020	P40020	P40020	P40020
8	Motor Bracket — Motor Frames 213JM-215JM	186528	186528	186528	186528
8	Motor Bracket — F Construction Motor Frames 213JM-215JM	—	P90524	P90524	P90524
10	Motor Bracket Capscrew for Above (4)	K03600	K03600	K03600	K03600
8	Motor Bracket — Motor Frames 254JP-256JP	P77076	P77076	P77076	P77076
8	Motor Bracket — F Construction Motor Frames 254JP-256JP	—	P90525	P90525	P90525
10	Motor Bracket Capscrew for Above (4)	P13780	P13780	P13780	P13780
8	Motor Bracket — Motor Frames 284JP-286JP, 324JP-326JP	P53880	P53880	P53880	P53880
8	Motor Bracket — F Construction Motor Frames 284JP-286JP, 324JP-326JP	—	P90526	P90526	P90526
10	Motor Bracket Capscrew for Above (4)	P19490	P19490	P19490	P19490
9	Volute Capscrew (8)	P40020	P40020	P40020	P40020
13	Seal Kit 1/4" Shaft	186860	186862LF	186862LF	186861LF
13	Seal Kit 1/8" Shaft	186544	186543LF	186543LF	185225LF
11	Shaft Sleeve Kit 1/4" Shaft	185025	185024LF	185024LF	185024LF
11	Shaft Sleeve Kit 1/8" Shaft	185022	185021LF	185021LF	185021LF
12	Water Slinger 1/8" Shaft	P53720	P53720	P53720	P53720

PARTS FOR STUFFING BOX CONSTRUCTION

8	Motor Bracket — Motor Frames 182JP & 184JP	P85023	P85023	P85023	Not Offered
10	Motor Bracket Capscrew for Above (4)	P40020	P40020	P40020	
15	Volute Coverplate 1/4" Shaft	P85027	P85027	P85027	
16	Volute Coverplate Capscrew 1/4" Shaft (4)	P52320	P52320	P52320	
8	Motor Bracket — Motor Frames 213JP, 215JP, 254JP & 256JP	P85025	P85025	P85025	
10	Motor Bracket Capscrew for Above (4)	K03600	K03600	K03600	
8	Motor Bracket — Motor Frames 284JP, 286JP, 324JP & 326JP	P85099	P85099	P85099	
10	Motor Bracket Capscrew for Above (4)	P19490	P19490	P19490	
15	Volute Coverplate 1/8" Shaft	P85035	P85035	P85035	
	Packing	See Table C or D, Page 31			
	Single Seal Components	See Table A, Page 31			
	Double Seal Components	See Table B, Page 31			
	Shaft Sleeve	See Table A, B, C, or D, Page 31			
1	Volute — 250 PSI Operation for PF and S Seals Only	P85338	P85338	*P85513	
9	Volute Capscrew 1/4" Shaft	P40020	P40020	P40020	
9	Volute Capscrew 1/8" Shaft	H28300	H28300	H28300	
12	Water Slinger 1/8" Shaft	P77320	P77320	P77320	

NOTE: 1/4" Shaft — up to and including Motor Frame 215JM. 1/8" Shaft — Motor Frame 213JP and larger. *Includes Wear Ring

— Factory recommended spare parts.

6 x 6 x 9¹/₂ Pumps

ITEM NO.	DESCRIPTION	PUMP CONSTRUCTION			
		ALL IRON	BRONZE FITTED		
			STANDARD	W/WEAR RING	W/EPT SEAL

PARTS COMMON TO BOTH TYPES

6	Impeller (State Diameter) 1 ¹ / ₄ " Shaft	P85542	P85541	P85541	P85541
6	Impeller (State Diameter) 1 ⁵ / ₈ " Shaft	P85545	P85544	P85544	P85544
3	Impeller Capscrew 1 ¹ / ₄ " Shaft	P52350	P52350	P52350	P52350
3	Impeller Capscrew 1 ⁵ / ₈ " Shaft	P13800	P13800	P13800	P13800
4	Impeller Lockwasher 1 ¹ / ₄ " Shaft	J23874	J23874	J23874	J23874
4	Impeller Lockwasher 1 ⁵ / ₈ " Shaft	J23875	J23875	J23875	J23875
5	Impeller Washer 1 ¹ / ₄ " Shaft	P46381	P46390	P46390	P46390
5	Impeller Washer 1 ⁵ / ₈ " Shaft	P46382	P51250	P51250	P51250
7	Impeller Key 1 ¹ / ₄ " Shaft	P49369	P49369	P49369	P49369
7	Impeller Key 1 ⁵ / ₈ " Shaft	P49372	P49372	P49372	P49372
1	Volute	P85374	P85374	*P85514	P85374
	Wear Ring	—	—	P49143	—
	Volute Drain Plug 1/4" (5)	P39050	P39040	P39040	P39040
9	Volute Capscrew (12)	P03470	P03470	P03470	P03470
2	Volute Gasket	P48690	P48690	P48690	P48690
12	Water Slinger 1 ¹ / ₄ " Shaft	P53550	P53550	P53550	P53550

PARTS FOR STANDARD SEAL CONSTRUCTION

8	Motor Bracket — Motor Frames 213JM-215JM	186530	186530	186530	186530
8	Motor Bracket — F Construction Motor Frames 213JM-215JM	—	P90528	P90528	P90528
10	Motor Bracket Capscrew for Above (4)	K03600	K03600	K03600	K03600
8	Motor Bracket — Motor Frames 254JM-256JM	P77166	P77166	P77166	P77166
8	Motor Bracket — F Construction Motor Frames 254JP-256JP	—	P90529	P90529	P90529
10	Motor Bracket Capscrew for Above (4)	P13780	P13780	P13780	P13780
8	Motor Bracket — Motor Frame 284JP	P53500	P53500	P53500	P53500
8	Motor Bracket — F Construction Motor Frame 284JP	—	P90530	P90530	P90530
10	Motor Bracket Capscrew for Above (4)	P19490	P19490	P19490	P19490
13	Seal Kit 1 ¹ / ₄ " Shaft	186860	186862LF	186862LF	186861LF
13	Seal Kit 1 ⁵ / ₈ " Shaft	186544	186543LF	186543LF	185225LF
11	Shaft Sleeve Kit 1 ¹ / ₄ " Shaft	185025	185024LF	185024LF	185024LF
11	Shaft Sleeve Kit 1 ⁵ / ₈ " Shaft	185022	185021LF	185021LF	185021LF
12	Water Slinger 1 ⁵ / ₈ " Shaft	P53720	P53720	P53720	P53720

PARTS FOR STUFFING BOX CONSTRUCTION

8	Motor Bracket — Motor Frames 213JP, 215JP, 254JP & 256JP	P85025	P85025	P85025	Not Offered
10	Motor Bracket Capscrew for Above (4)	K03600	K03600	K03600	
8	Motor Bracket — Motor Frame 284JP	P85099	P85099	P85099	
10	Motor Bracket Capscrew for Above (4)	P19490	P19490	P19490	
15	Volute Coverplate	P85039	P85039	P85039	
16	Volute Coverplate Capscrew (8)	P52320	P52320	P52320	
	Packing	See Table C or D, Page 31			
	Single Seal Components	See Table A, Page 31			
	Double Seal Components	See Table B, Page 31			
	Shaft Sleeve	See Table A, B, C, or D, Page 31			
1	Volute — 250 PSI Operation for PF and S Seals Only	P85375	P85375	*P85515	
12	Water Slinger 1 ⁵ / ₈ " Shaft	P77320	P77320	P77320	

NOTE: 1¹/₄" Shaft — up to and including Motor Frame 215JM. 1⁵/₈" Shaft — Motor Frame 213JP and larger. *Includes Wear Ring
 ■ — Factory recommended spare parts.

6 x 6 x 11 Pumps

ITEM NO.	DESCRIPTION	PUMP CONSTRUCTION			
		ALL IRON	BRONZE FITTED		
			STANDARD	W/WEAR RING	W/EPT SEAL

PARTS COMMON TO BOTH TYPES

6	Impeller (State Diameter) 1 ¹ / ₄ " Shaft	P50976	P50975	P50975	P50975
3	Impeller Capscrew 1 ⁵ / ₈ " Shaft	P13800	P13800	P13800	P13800
4	Impeller Lockwasher 1 ⁵ / ₈ " Shaft	J23875	J23875	J23875	J23875
5	Impeller Washer 1 ⁵ / ₈ " Shaft	P46382	P51250	P51250	P51250
7	Impeller Key 1 ⁵ / ₈ " Shaft	P49372	P49372	P49372	P49372
1	Volute	P85631	P85631	*P85641	P85631
	Wear Ring	—	—	P51390	—
	Volute Drain Plug 1/4" (5)	P39050	P39040	P39040	P39040
9	Volute Capscrew (16)	P13780	P13780	P13780	P13780
2	Volute Gasket	P80765	P80765	P80765	P80765

PARTS FOR STANDARD SEAL CONSTRUCTION

8	Motor Bracket — Motor Frames 254JP-256JP	P53032	P53032	P53032	P53032
8	Motor Bracket — F Construction Motor Frames 254JP-256JP	—	P90533	P90533	P90533
10	Motor Bracket Capscrew for Above (4)	P13780	P13780	P13780	P13780
8	Motor Bracket — Motor Frames 284JP-286JP, 324JP-326JP	P53036	P53036	P53036	P53036
8	Motor Bracket — F Construction Motor Frames 284JP-286JP, 324JP-326JP	—	P90534	P90534	P90534
10	Motor Bracket Capscrew for Above (4)	P19490	P19490	P19490	P19490
13	Seal Kit 1 ⁵ / ₈ " Shaft	186544	186543LF	186543LF	185225LF
11	Shaft Sleeve Kit 1 ⁵ / ₈ " Shaft	185022	185021LF	185021LF	185021LF
12	Water Slinger 1 ⁵ / ₈ " Shaft	P53720	P53720	P53720	P53720

PARTS FOR STUFFING BOX CONSTRUCTION

8	Motor Bracket — Motor Frames 254JP-256JP	P85025	P85025	P85025	Not Offered
10	Motor Bracket Capscrew for Above (4)	K03600	K03600	K03600	
8	Motor Bracket — Motor Frames 284JP-286JP, 324JP-326JP	P85099	P85099	P85099	
10	Motor Bracket Capscrew for Above (4)	P19490	P19490	P19490	
15	Volute Coverplate 1 ⁵ / ₈ " Shaft	P53056	P53056	P53056	
16	Volute Coverplate Capscrew (8)	P52320	P52320	P52320	
	Packing	See Table C or D, Page 31			
	Single Seal Components	See Table A, Page 31			
	Double Seal Components	See Table B, Page 31			
	Shaft Sleeve	See Table A, B, C, or D, Page 31			
1	Volute — 250 PSI Operation for PF and S Seals Only	P85632	P85632	*P85644	
12	Water Slinger 1 ⁵ / ₈ " Shaft	P77320	P77320	P77320	

— Factory recommended spare parts.

*Includes Wear Ring

8 x 8 x 9¹/₂ Pumps

ITEM NO.	DESCRIPTION	PUMP CONSTRUCTION			
		ALL IRON	BRONZE FITTED		
			STANDARD	W/WEAR RING	W/EPT SEAL

PARTS COMMON TO BOTH TYPES

6	Impeller (State Diameter) 1 ¹ / ₄ " Shaft	P85548	P85547	P85547	P85547
3	Impeller Capscrew 1 ⁵ / ₈ " Shaft	P13800	P13800	P13800	P13800
4	Impeller Lockwasher 1 ⁵ / ₈ " Shaft	J23875	J23875	J23875	J23875
5	Impeller Washer 1 ⁵ / ₈ " Shaft	P46382	P51250	P51250	P51250
7	Impeller Key 1 ⁵ / ₈ " Shaft	P49372	P49372	P49372	P49372
1	Volute	P85377	P85377	*P85516	P85377
	Wear Ring	—	—	P49144	—
	Volute Drain Plug 1/4" (5)	P39050	P39040	P39040	P39040
9	Volute Capscrew (12)	P03470	P03470	P03470	P03470
2	Volute Gasket	P48690	P48690	P48690	P48690

PARTS FOR STANDARD SEAL CONSTRUCTION

8	Motor Bracket — Motor Frames 254JP-256JP	P77166	P77166	P77166	P77166
8	Motor Bracket — F Construction Motor Frames 254JP-256JP	—	P90529	P90529	P90529
10	Motor Bracket Capscrew for Above (4)	P13780	P13780	P13780	P13780
8	Motor Bracket — Motor Frames 284JP-286JP, 324JP-326JP	P53500	P53500	P53500	P53500
8	Motor Bracket — F Construction Motor Frames 284JP-286JP, 324JP-326JP	—	P90530	P90530	P90530
10	Motor Bracket Capscrew for Above (4)	P19490	P19490	P19490	P19490
13	Seal Kit 1 ⁵ / ₈ " Shaft	186544	186543LF	186543LF	185225LF
11	Shaft Sleeve Kit 1 ⁵ / ₈ " Shaft	185022	185021LF	185021LF	185021LF
12	Water Slinger 1 ⁵ / ₈ " Shaft	P53720	P53720	P53720	P53720

PARTS FOR STUFFING BOX CONSTRUCTION

8	Motor Bracket — Motor Frames 254JP-256JP	P85025	P85025	P85025	Not Offered
10	Motor Bracket Capscrew for Above (4)	K03600	K03600	K03600	
8	Motor Bracket — Motor Frames 284JP-286JP, 324JP-326JP	P85099	P85099	P85099	
10	Motor Bracket Capscrew for Above (4)	P19490	P19490	P19490	
15	Volute Coverplate	P85039	P85039	P85039	
16	Volute Coverplate Capscrew (8)	P52320	P52320	P52320	
	Packing	See Table C or D, Page 31			
	Single Seal Components	See Table A, Page 31			
	Double Seal Components	See Table B, Page 31			
	Shaft Sleeve	See Table A, B, C, or D, Page 31			
1	Volute — 250 PSI Operation for PF and S Seals Only	P85378	P85378	*P85517	
12	Water Slinger 1 ⁵ / ₈ " Shaft	P77320	P77320	P77320	

— Factory recommended spare parts.

*Includes Wear Ring

8 x 8 x 11 Pumps

ITEM NO.	DESCRIPTION	PUMP CONSTRUCTION			
		ALL IRON	BRONZE FITTED		
			STANDARD	W/WEAR RING	W/EPT SEAL

PARTS COMMON TO BOTH TYPES

6	Impeller (State Diameter) 1 ⁵ / ₈ " Shaft	P50978	P50977	P50977	P50977
3	Impeller Capscrew 1 ⁵ / ₈ " Shaft	P13800	P13800	P13800	P13800
4	Impeller Lockwasher 1 ⁵ / ₈ " Shaft	J23875	J23875	J23875	J23875
5	Impeller Washer 1 ⁵ / ₈ " Shaft	P46382	P51250	P51250	P51250
7	Impeller Key 1 ⁵ / ₈ " Shaft	P49372	P49372	P49372	P49372
1	Volute	P85634	P85634	*P85642	P85634
	Wear Ring	—	—	P81949	—
	Volute Drain Plug (5)	P39050	P39040	P39040	P39040
9	Volute Capscrew (16)	P13780	P13780	P13780	P13780
2	Volute Gasket	P80765	P80765	P80765	P80765

PARTS FOR STANDARD SEAL CONSTRUCTION

8	Motor Bracket — Motor Frames 254JP-256JP	P53032	P53032	P53032	P53032
8	Motor Bracket — F Construction Motor Frames 254JP-256JP	—	P90533	P90533	P90533
10	Motor Bracket Capscrew for Above (4)	P13780	P13780	P13780	P13780
8	Motor Bracket — Motor Frames 284JP-286JP, 324JP-326JP	P53036	P53036	P53036	P53036
8	Motor Bracket — F Construction Motor Frames 284JP-286JP, 324JP-326JP	—	P90534	P90534	P90534
10	Motor Bracket Capscrew for Above (4)	P19490	P19490	P19490	P19490
13	Seal Kit 1 ⁵ / ₈ " Shaft	186544	186543LF	186543LF	185225LF
11	Shaft Sleeve Kit 1 ⁵ / ₈ " Shaft	185022	185021LF	185021LF	185021LF
12	Water Slinger 1 ⁵ / ₈ " Shaft	P53720	P53720	P53720	P53720

PARTS FOR STUFFING BOX CONSTRUCTION

8	Motor Bracket — Motor Frames 254JP-256JP	P85025	P85025	P85025	Not Offered
10	Motor Bracket Capscrew for Above (4)	K03600	K03600	K03600	
8	Motor Bracket — F Construction Motor Frames 284JP-286JP, 324JP-326JP	P85099	P85099	P85099	
10	Motor Bracket Capscrew for Above (4)	P19490	P19490	P19490	
15	Volute Coverplate 1 ⁵ / ₈ " Shaft	P53056	P53056	P53056	
16	Volute Coverplate Capscrew (8)	P52320	P52320	P52320	
	Packing	See Table C or D, Page 31			
	Single Seal Components	See Table A, Page 31			
	Double Seal Components	See Table B, Page 31			
	Shaft Sleeve	See Table A, B, C, or D, Page 31			
1	Volute — 250 PSI Operation for PF and S Seals Only	P85635	P85635	*P85645	
12	Water Slinger 1 ⁵ / ₈ " Shaft	P77320	P77320	P77320	

— Factory recommended spare parts.

*Includes Wear Ring

Mechanical Seals For Stuffing Box Type Pumps

ITEM NO.	DESCRIPTION	NUMBER REQUIRED	1 ¹ / ₄ " SHAFT	1 ⁵ / ₈ " SHAFT
----------	-------------	-----------------	---------------------------------------	---------------------------------------

TABLE A — ALL IRON AND BRONZE FITTED PUMPS — SINGLE SEAL — SERIES S

17	Seal Assembly	1	P85070	185050LF
18	Seal Cap	1	P85082	P85086
22	Seal Cap Capscrew	4	H28100	H28100
20	Seal Cap Nut	4	P52380	P52380
21	Seal Cap Washer	4	P10910	P10910
19	Seal Cap Gasket	1	P85077	P85078
11	Shaft Sleeve	1	P85075	185022

TABLE B — ALL IRON AND BRONZE FITTED PUMPS — DOUBLE SEAL — SERIES D

17	Seal Assembly	1	P85066	186843LF
18	Seal Cap	1	P85090	P85094
22	Seal Cap Capscrew	4	H28100	H28100
20	Seal Cap Nut	4	P52380	P52380
21	Seal Cap Washer	4	P10910	P10910
19	Seal Cap Gasket	1	NONE	P85078
11	Shaft Sleeve	1	P85075	185022

Mechanical Seals For Stuffing Box Type Pumps

ITEM NO.	DESCRIPTION	NUMBER REQUIRED	1 ¹ / ₄ " SHAFT	1 ⁵ / ₈ " SHAFT
----------	-------------	-----------------	---------------------------------------	---------------------------------------

TABLE C — BRONZE FITTED PUMPS — SERIES PF

23	Packing Ring Set (4 Pieces to Each Set)	1 Set	P82070	P82072
24	Lantern Ring Set (2 Halves to Each Set)	1 Set	P84985	P84986
25	Packing Gland Halves	2	P85048	P85050
26	Packing Gland Capscrew	2	J92052	J92052
27	Packing Gland Nut	2	J91659	J91659
28	Packing Gland Washer	2	J91649	J91649
11	Shaft Sleeve	1	P85075	185022

TABLE D — ALL IRON PUMPS — SERIES PF

23	Packing Ring Set (4 Pieces to Each Set)	1 Set	P82070	P82072
24	Lantern Ring Set (2 Halves to Each Set)	1 Set	P84985	P84986
25	Packing Gland Halves	2	P85049	P85051
26	Packing Gland Capscrew	2	J92052	J92052
27	Packing Gland Nut	2	J91659	J91659
28	Packing Gland Washer	2	J91649	J91649
11	Shaft Sleeve	1	P85075	185022

NOTE: Bronze Fitted Pumps are designated "BF" on nameplate.

All Iron Pumps are designated "AI" on nameplate.

Bronze Fitted Pumps with wearing rings are designated "BFW" on nameplate.

Bronze Fitted Pumps with special "EPT" seal are designated "BFE" on nameplate and are not furnished in the "Stuffing Box" construction — only in the "Standard Seal" type.

■ - Factory recommended spare parts.

Xylem |'zīləm|

- 1) The tissue in plants that brings water upward from the roots;
- 2) a leading global water technology company.

We're 12,500 people unified in a common purpose: creating innovative solutions to meet our world's water needs. Developing new technologies that will improve the way water is used, conserved, and re-used in the future is central to our work. We move, treat, analyze, and return water to the environment, and we help people use water efficiently, in their homes, buildings, factories and farms. In more than 150 countries, we have strong, long-standing relationships with customers who know us for our powerful combination of leading product brands and applications expertise, backed by a legacy of innovation.

For more information on how Xylem can help you, go to www.xyleminc.com



Xylem Inc.
8200 N. Austin Avenue
Morton Grove, Illinois 60053
Phone: (847) 966-3700
Fax: (847) 965-8379
www.xyleminc.com/brands/bellgossett

Bell & Gossett is a trademark of Xylem Inc. or one of its subsidiaries.
© 2012 Xylem Inc. CP-25B-PL April 2010