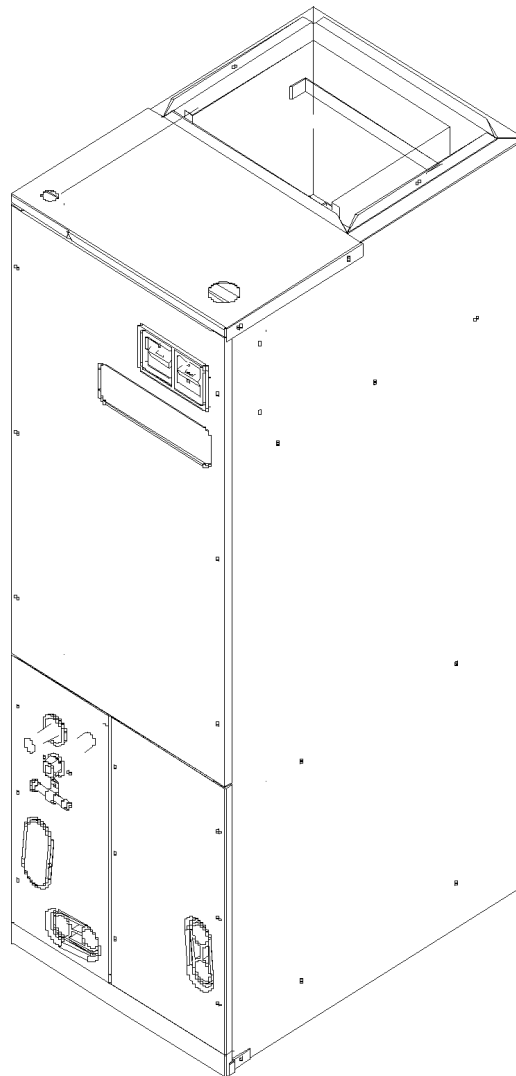


REPAIR PARTS

ARUF 10 & 13 SEER Air Handlers For R22 Units Only

ARUF17291BA
ARUF18241BA
ARUF30301BA
ARUF36421BA
ARUF37431BA
ARUF48601BA



Goodman Manufacturing Company, L.P.
5151 San Felipe, Suite 500
Houston, TX 77056

www.goodmanmfg.com www.amana-hac.com

RP-387B
August 2007

Important Information

Index

Functional Parts List	3
Illustration and Parts	4 - 7

Views shown are for parts illustrations only, not servicing procedures

Rev. B: Updated service coil part numbers.

Text Codes:

AR - As Required

NA - Not Available

NS - Not Shown

00000000 - See Note

QTY - Quantity Example (QTY 3) (If Quantity not shown, Quantity = 1)

M - Model Example (M1) (If M Code not shown, then part is used on all Models)

Expanded Model Nomenclature:

Example M1 - Model#1 M2 - Model#2 M3 - Model#3

Goodman Manufacturing Company, L.P. is not responsible for personal injury or property damage resulting from improper service. Review all service information before beginning repairs.

Warranty service must be performed by an authorized technician, using authorized factory parts. If service is required after the warranty expires, Goodman Manufacturing Company, L.P. also recommends contacting an authorized technician and using authorized factory parts.

Goodman Manufacturing Company, L.P. reserves the right to discontinue, or change at any time, specifications or designs without notice or without incurring obligations.

For assistance within the U.S.A. contact:
Consumer Affairs Department
Goodman Manufacturing Company, L.P.
7401 Security Way
Houston, Texas 77040
877-254-4729-Telephone
713-863-2382-Facsimile

For assistance outside the U.S.A. contact:
International Division
Goodman Manufacturing Company, L.P.
7401 Security Way
Houston, Texas 77040
713-861-2500-Telephone
713-863-2382-Facsimile

Functional Parts

Part

No: **Description:**

11091204S	BLOWER MOTOR 1/2 HP, 3 SP, 8 PL (M4, M5)
0131M00005PS	BLOWER MOTOR 1/3 HP, 3 SP, 6 PL (M1, M2)
11091203S	BLOWER MOTOR 1/3 HP, 3 SP, 6 PL (M3)
0131M00000PS	BLOWER MOTOR 3/4 HP, 3 SP, 6 PL (M6)
CAP100000370VAS	CAPACITOR 10/370V (M1, M2, M3)
CAP150000370VAS	CAPACITOR 15/370V (M4, M5, M6)
PCBFM103	ELECTRONIC TIME DELAY RELAY
B1796630	INLET TUBE FLOWRATOR
B1141643	TRANSFORMER, 208/230, 24V

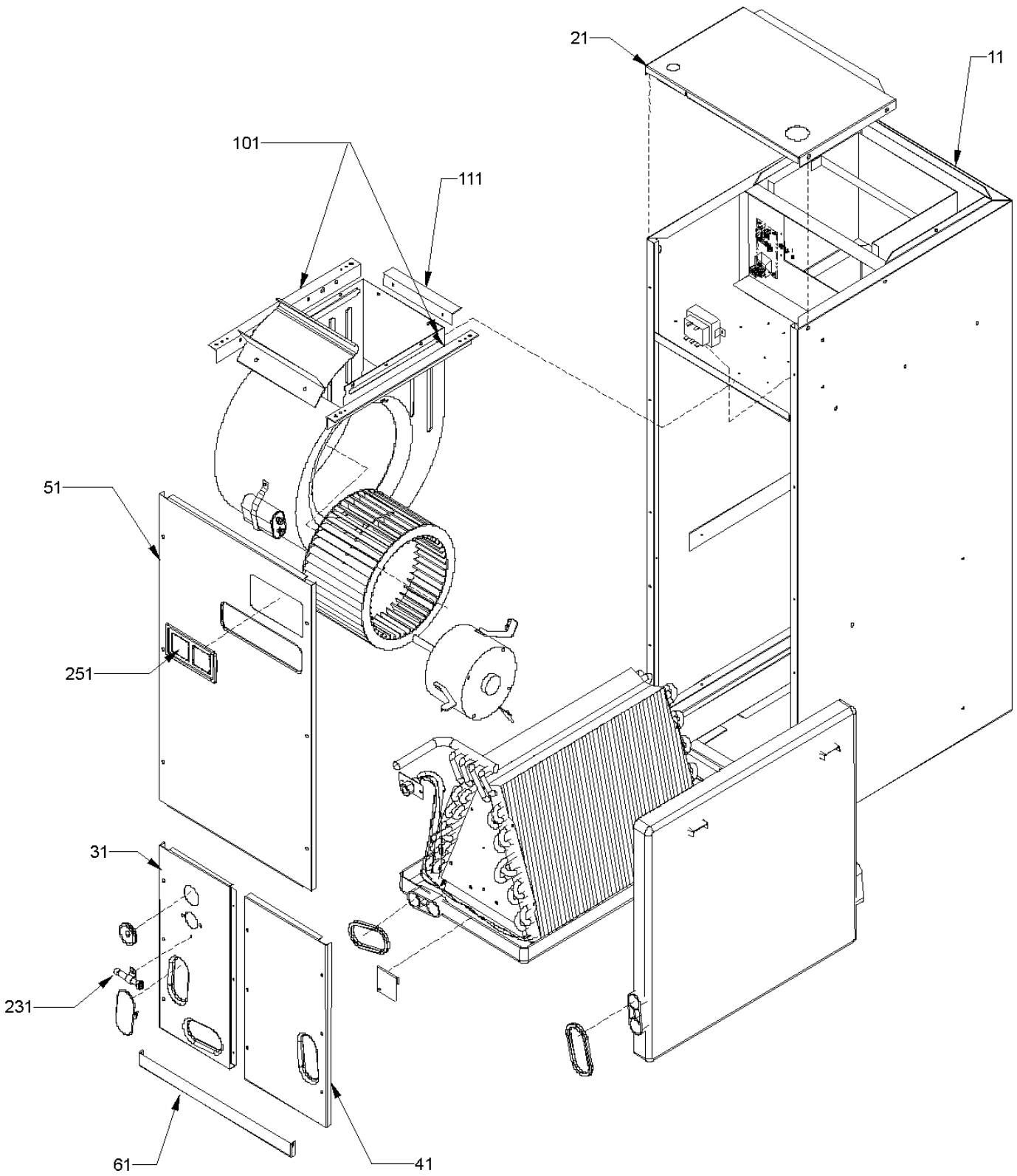
SPECIAL PARTS

IO-286D	INSTALLATION INSTRUCTIONS
PKC-00X	PISTON KIT CHART
RP-387B	REPAIR PARTS MANUAL

Expanded Model Nomenclature

M1 - ARUF17291BA
M2 - ARUF18241BA
M3 - ARUF30301BA
M4 - ARUF36421BA
M5 - ARUF37431BA
M6 - ARUF48601BA

Cabinet



Cabinet

Ref Part No:	Description:	Ref. Part No:	Description:
<i>Image 1:</i>			
11 1721123	WRAPPER LRG (M4, M5, M6)		
11 1721122	WRAPPER MED (M3)		
11 1721121P	WRAPPER SML (M1, M2)		
21 0121A00033PDG	UPPER TIE PLATE (M3)		
21 0121A00035PDG	UPPER TIE PLATE (M4, M5, M6)		
21 1721931PDG	UPPER TIE PLATE (M1, M2)		
31 1722078PDG	LOWER ACCESS PANEL LRG (M4, M5, M6)		
31 1722077PDG	LOWER ACCESS PANEL SML/MED (M1, M2, M3)		
41 1722081PDG	LOWER SERVICE PANEL LRG (M4, M5, M6)		
41 1722080PDG	LOWER SERVICE PANEL MEDIUM (M3)		
41 1722079PDG	LOWER SERVICE PANEL SML (M1, M2)		
51 1722084PDG	UPPER ACCESS PANEL LRG (M4, M5, M6)		
51 1722083PDG	UPPER ACCESS PANEL MED (M3)		
51 1722082PDG	UPPER ACCESS PANEL SML (M1, M2)		
61 1722087PDG	FILTER COVER LRG (M4, M5, M6)		
61 1722086PDG	FILTER COVER MED (M3)		
61 1722085PDG	FILTER COVER SML (M1, M2)		
101 0121A00016	BLOWER MOUNTING ANGLE (M4)		
101 0121A00027	BLOWER MOUNTING ANGLE (M1, M2, M3, M5, M6)		
111 1717109	BLOWER MOUNTING ANGLE BRACKET		
231 B1796630	INLET TUBE FLOWRATOR		
251 B1392641	PLASTIC CIRCUIT BREAKER INSERT		
NS 1721918	BOTTOM TIE LRG (M4, M5, M6)		
NS 1721917	BOTTOM TIE MED (M3)		
NS 1721916	BOTTOM TIE SML (M1, M2)		

Expanded Model Nomenclature

M1 - ARUF17291BA
M2 - ARUF18241BA
M3 - ARUF30301BA
M4 - ARUF36421BA
M5 - ARUF37431BA
M6 - ARUF48601BA

Internal Components

Image 1

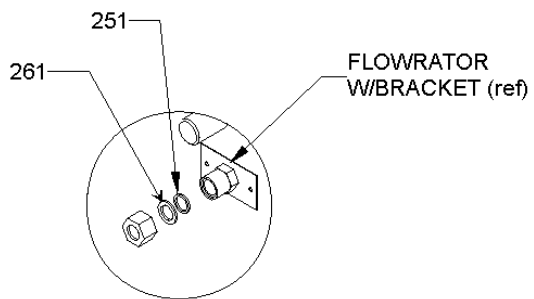
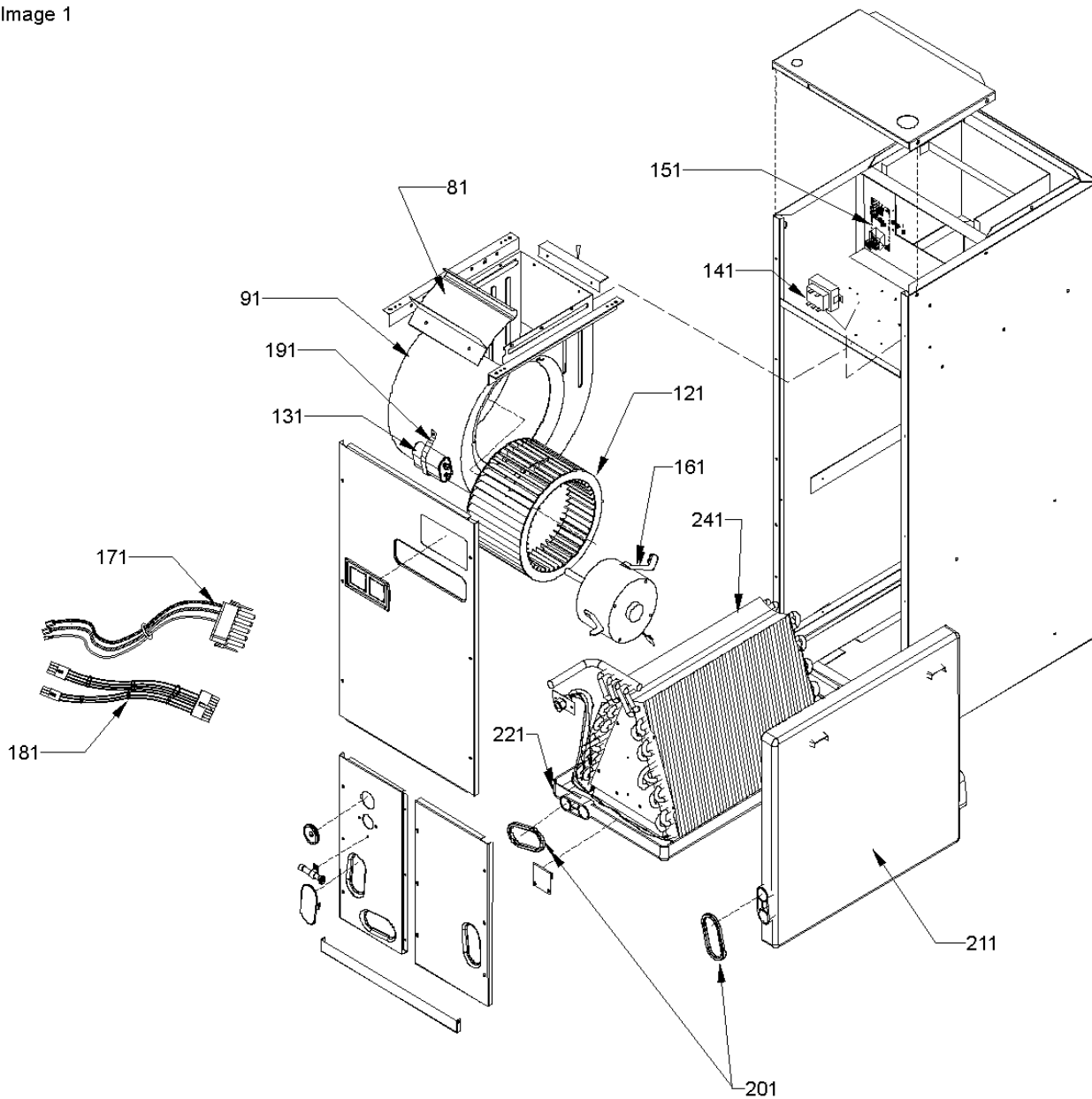
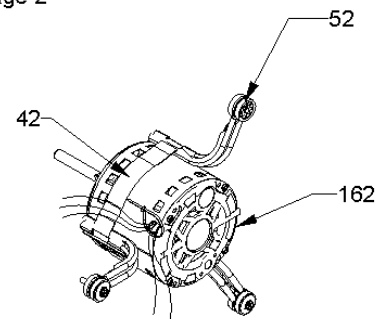


Image 2



Internal Components

Ref Part No:	Description:	Ref. Part No:	Description:						
<i>Image 1:</i>		52	B1376853 MOTOR MOUNT ARM A36-42 (M4)						
81	0270A00101 BLOWER CUT-OFF (M5)	162	11091204S BLOWER MOTOR 1/2 HP, 3 SP, 8 PL (M4, M5)						
81	764734 BLOWER CUT-OFF (M3)	162	0131M00000PS BLOWER MOTOR 3/4 HP, 3 SP, 6 PL (M6)						
81	764736 BLOWER CUT-OFF 10 X 8 (M4)	Expanded Model Nomenclature							
81	1824004 BLOWER CUT-OFF 11 & 10 X 10 (M6)	<table border="1"> <tr><td>M1 - ARUF17291BA</td></tr> <tr><td>M2 - ARUF18241BA</td></tr> <tr><td>M3 - ARUF30301BA</td></tr> <tr><td>M4 - ARUF36421BA</td></tr> <tr><td>M5 - ARUF37431BA</td></tr> <tr><td>M6 - ARUF48601BA</td></tr> </table>		M1 - ARUF17291BA	M2 - ARUF18241BA	M3 - ARUF30301BA	M4 - ARUF36421BA	M5 - ARUF37431BA	M6 - ARUF48601BA
M1 - ARUF17291BA									
M2 - ARUF18241BA									
M3 - ARUF30301BA									
M4 - ARUF36421BA									
M5 - ARUF37431BA									
M6 - ARUF48601BA									
81	764733 BLOWER CUT-OFF 9 X 6 (M1, M2)								
91	0271A00016S BLOWER SHELL ASSY (M6)								
91	1439391S BLOWER SHELL ASSY 10 X 8 (M4)								
91	0271A00013 BLOWER SHELL ASSY 11 X 10 (M5)								
91	1439389S BLOWER SHELL ASSY 9 X 6 (M1, M2)								
91	1839304S BLOWER SHELL ASSY 9 X 8 (M3)								
121	D6723306S BLOWER WHEEL (M6)								
121	D6723311S BLOWER WHEEL (M5)								
121	B1368016S BLOWER WHEEL 10 X 8 (M4)								
121	0150M00000S BLOWER WHEEL 9 X 6 (M1, M2)								
121	0150G00000P BLOWER WHEEL 9 X 8 (M3)								
131	CAP100000370VASCAPACITOR 10/370V (M1, M2, M3)								
131	CAP150000370VASCAPACITOR 15/370V (M4, M5, M6)								
141	B1141643 TRANSFORMER, 208/230, 24V								
151	PCBFM103 ELECTRONIC TIME DELAY RELAY								
161	0131M00005PS BLOWER MOTOR 1/3 HP, 3 SP, 6 PL (M1, M2)								
161	11091203S BLOWER MOTOR 1/3 HP, 3 SP, 6 PL (M3)								
171	0259A00001P WIRE ASSY, 9-PIN FEMALE CONNECTOR (M1, M2)								
171	0259A00005P WIRE ASSY, 9-PIN FEMALE CONNECTOR (M3, M4, M5, M6)								
181	0259A00002P WIRE ASSY, 9-PIN MALE CONNECTOR								
191	1284835 CAPACITOR STRAP								
201	B1392631 DRAIN PAN GASKET (QTY 2)								
211	B1756021L PLASTIC DRAIN PAN (HORIZONTAL) (M1, M2)								
211	B1756022L PLASTIC DRAIN PAN (HORIZONTAL) (M3)								
211	B1756028L PLASTIC DRAIN PAN (HORIZONTAL) (M4, M5, M6)								
221	B1756013L PLASTIC DRAIN PAN (VERTICAL) (M1, M2)								
221	B1756017L PLASTIC DRAIN PAN (VERTICAL) (M3)								
221	B1756020L PLASTIC DRAIN PAN (VERTICAL) (M4, M5, M6)								
241	1262400 EVAP COIL ASSY (M1)								
241	1262401 EVAP COIL ASSY (M2)								
241	1262403 EVAP COIL ASSY (M3)								
241	1262404 EVAP COIL ASSY (M4)								
241	1262405 EVAP COIL ASSY (M5, M6)								
251	B1796631 TEFLON SEAL (20 IN A PACK)								
261	B1796632 TEFLON SEAL AND NUT ASSY (20 IN A PACK)								
NS	B821700 CAPACITOR BOOT								
<i>Image 2:</i>									
42	0121M00038 MOTOR MOUNT BAND (M4)								
42	0121M00039 MOTOR MOUNT BAND (HEAVY DUTY) (M5, M6)								
52	B1376863 MOTOR MOUNT ARM (HEAVY DUTY) (M5, M6)								