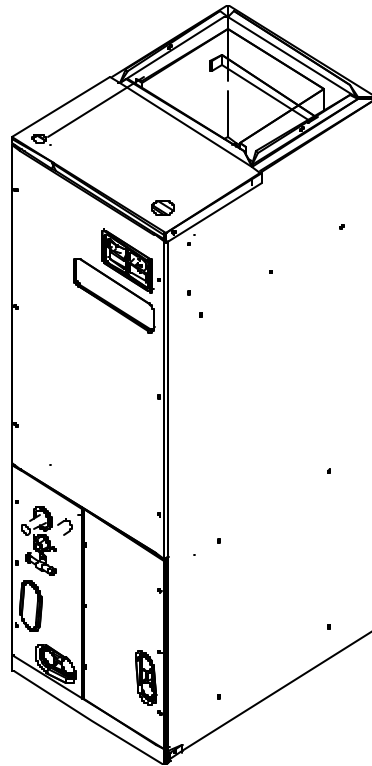


REPAIR PARTS

AR SERIES 1 1/2 - 5 TON AIR HANDLER W/COIL



- AR18-1
- AR24-1
- AR30-1
- AR32-1
- AR36-1
- AR42-1
- AR48-1
- AR49-1
- AR60-1
- AR61-1



Made in the USA by:
Goodman Manufacturing Company
2550 North Loop West, Suite 400
Houston Texas 77092

RP-265D
January 2003

This manual is to be used by
qualified technicians only.

This manual replaces RP-265C.

Important Information

Goodman is not responsible for personal injury or property damage resulting from improper service. Review all service information before beginning repairs.

Warranty service must be performed by an authorized technician, using authorized factory parts. If service is required after the warranty expires, Goodman also recommends contacting an authorized technician and using authorized factory parts.

For assistance within the U.S.A. contact:

Consumer Affairs Department
Goodman Manufacturing Company LP
7401 Security Way
Houston, Texas 77040
877-254-4729-Telephone
713-863-2382-Facsimile

For assistance outside the U.S.A. contact:

International Division
Goodman Manufacturing Company LP
7401 Security Way
Houston, Texas 77040
713-861-2500-Telephone
713-863-2382-Facsimile

Index

Functional Parts List 5
Illustration and Parts 6 - 7

Views shown are for parts illustrations only, not servicing procedures.

Revision D; Changes part numbers for blower shells.

Text Codes:

- AR - As Required
- NA - Not Available
- NS - Not Shown
- 00000000 - See Note
- QTY - Quantity Example (QTY 3) (If Quantity not shown, Quantity = 1)
- M - Model Example (M1) (If M Code not shown, then part is used on all Models)

Expanded Model Nomenclature:

Example
M1 - Model#1
M2 - Model#2
M3 - Model#3

Functional Parts

Part

No: Description:

764734	BLOWER CUT-OFF (M5, M6)
764736	BLOWER CUT-OFF (M7, M8)
1864700	BLOWER CUT-OFF (M9, M10)
764733	BLOWER CUT-OFF (M1, M2, M3, M4)
1439398	BLOWER SHELL (10 x 10) (M9, M10)
1439391	BLOWER SHELL (10 x 8) (M7, M8)
1439389	BLOWER SHELL (9 x 6) (M1, M2, M3, M4)
1839304	BLOWER SHELL (9 x 8) (M5, M6)
B945672	CAPACITOR, RUN, 12.5 MFD, 370 VAC (M6, M7, M8)
B945653	CAPACITOR, RUN, 15 MFD, 370 VAC (M9, M10)
B945650	CAPACITOR, RUN, 5 MFD, 370 VAC (M1, M2)
B945651	CAPACITOR, RUN, 7.5 MFD, 370 VAC (M3, M4, M5)
B13400208S	MOTOR, DIRECT DRIVE, ¼ HP (M9, M10) 2-SPEED, 208/230-60-1, PSC, W/MOUNTING KIT, 1080 RPM, GE #5KCP39MFV938BS (Must be used with B1368047A blower wheel.)
B13400207	MOTOR, DIRECT DRIVE, ¼ HP (M9, M10) 2-SPEED, 208/230-60-1, PSC, W/MOUNTING KIT, 1075 RPM, GE #5KCP39LFR300S (Must be used with B1368047A blower wheel.)
B13400206	MOTOR, DIRECT DRIVE, ¼ HP (M9, M10) 2-SPEED, 208/230-60-1, PSC, W/MOUNTING KIT, 1075 RPM, A.O. SMITH #F48G56A76 (Must be used with B1368047A blower wheel.)
B13400353	MOTOR, DIRECT DRIVE, 1/2 HP (M6, M7, M8) 2-SPEED, 208/230-60-1, PSC, FLEX-MOUNT, 1075 RPM, G.E. # 5KCP39GGP993AS (TYPE PSC), A.O. SMITH #F48A95A76 (TYPE FLL) (Must be used with B1368047A blower wheel.)
B13400312	MOTOR, DIRECT DRIVE, 1/3 HP (M3, M4, M5) 2-SPEED, 208/230-60-1, PSC, FLEX-MOUNT, 1075 RPM, G.E. # 5KCP39GGP993AS, A.O. SMITH #F48A95A76 (Must be used with B1368047A blower wheel.)
B13400313	MOTOR, DIRECT DRIVE, 1/5 HP, (M1, M2) 2-SPEED, 208/230-60-1, PSC, FLEX-MOUNT, 1075 RPM, G.E. #5KCP39CGP874S (Must be used with B1368047A blower wheel.)
B1370738	RELAY, BLOWER TIME DELAY 24 VOLT COIL, (TEXAS INSTRUMENTS #60000COCO-2) ORDER THIS PART WHEN REPLACING B1370738
B1370735S	RELAY, ELECTRONIC BLOWER TIME DELAY (CIRCUIT BOARD) (UT #1005-170-I) ORDER THIS PART WHEN REPLACING B1370735
B1141643	TRANSFORMER, 45V, 280/230 VOLT PRI., 24 VOLT SEC.
B1368057	WHEEL BLOWER (10 x 10) (M9, M10) B1368057 must be used with B13400208S motor service kit. When ordering B13680-57 order B13400208S motor service kit.
B1368035	WHEEL BLOWER (5.75 x 8) (M1)
B1368042	WHEEL BLOWER (9 x 6) (M2, M3, M4)
B1368036	WHEEL BLOWER (9 x 8) (M5, M6, M7, M8)
B1368047A	WHEEL BLOWER 10 x 10) (M9, M10) B1368047A use with B13400206 or B13400207 motor.

Functional Parts

Part

No: Description:

SPECIAL PARTS

IO-209 I & O MANUAL

SS-309 SPEC SHEET

Expanded Model Nomenclature

M1 - AR18-1

M2 - AR24-1

M3 - AR30-1

M4 - AR32-1

M5 - AR36-1

M6 - AR42-1

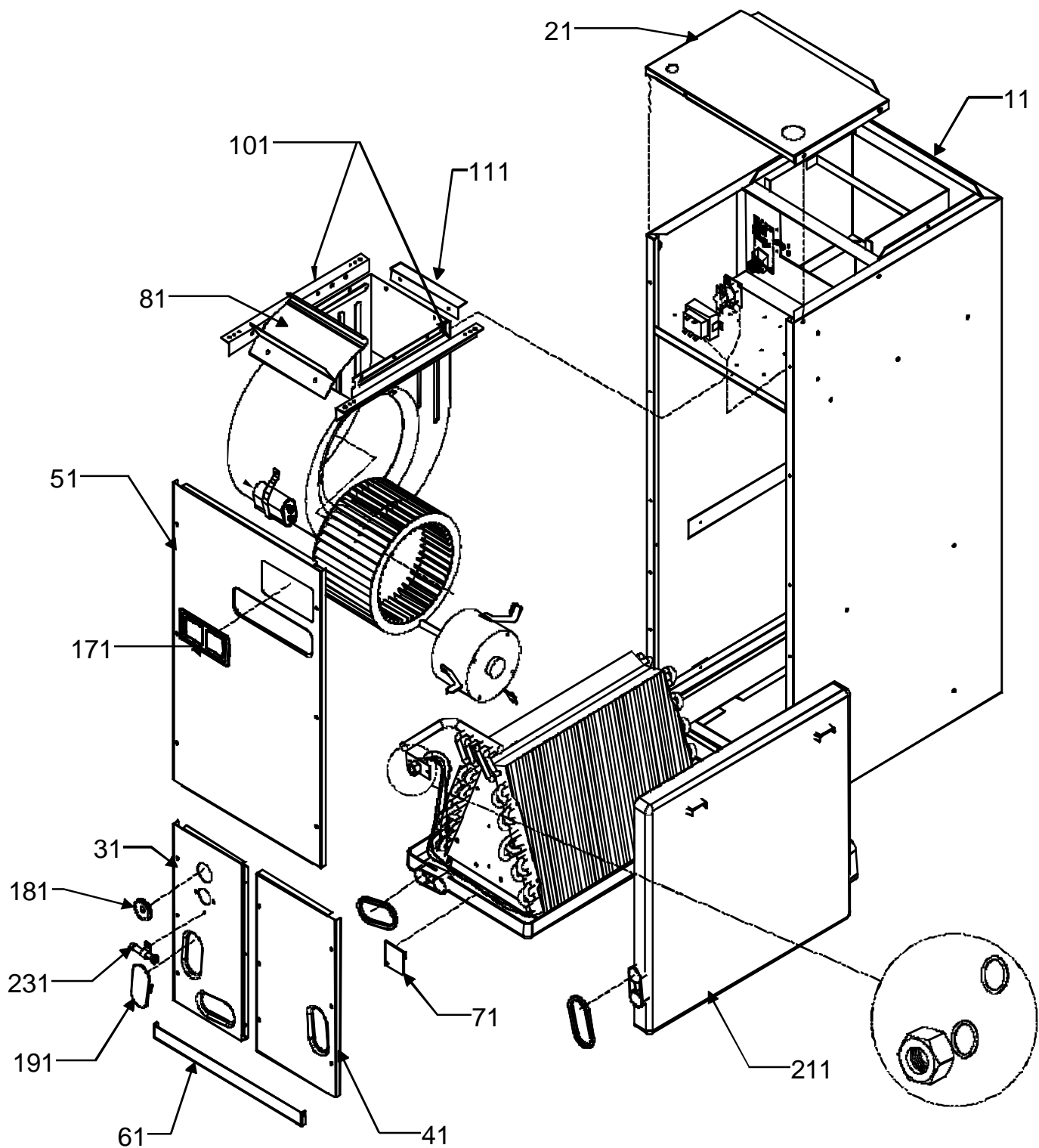
M7 - AR48-1

M8 - AR49-1

M9 - AR60-1

M10 - AR61-1

Cabinet



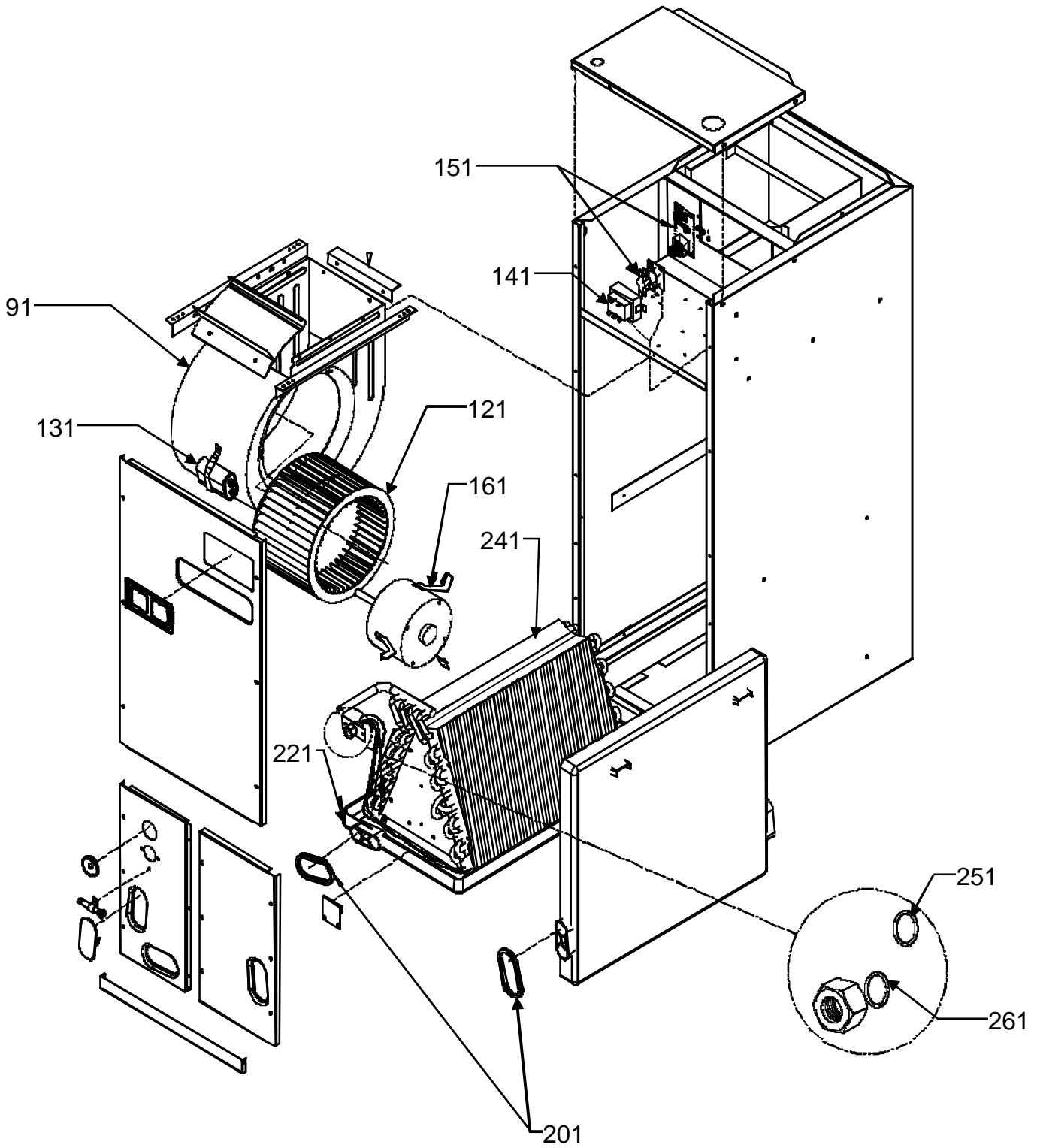
Cabinet

Ref. Part No:	Ref. Part No:	Description:	Description:
<i>Image 1:</i>			
11	1721118	WRAPPER, CABINET (M1, M2, M3, M4)	
11	1721119	WRAPPER, CABINET (M5, M6)	
11	1721120	WRAPPER, CABINET (M7, M8, M9, M10)	
21	1721925	PLATE, UPPER TIE (M1, M2, M3, M4)	
21	1721926	PLATE, UPPER TIE (M5, M6)	
21	1721927	PLATE, UPPER TIE (M7, M8, M9, M10)	
31	1722075	PANEL, LOWER ACCESS (SM, MED) (M1, M2, M3, M4, M5, M6)	
31	1722076	PANEL, LOWER ACCESS (SM, MED) (M7, M8, M9, M10)	
41	1722067	PANEL, LOWER SERVICE (M1, M2, M3, M4)	
41	1722068	PANEL, LOWER SERVICE (M5, M6)	
41	1722069	PANEL, LOWER SERVICE (M7, M8, M9, M10)	
51	1722060	PANEL, UPPER ACCESS (M1, M2, M3, M4)	
51	1722063	PANEL, UPPER ACCESS (M5, M6)	
51	1722066	PANEL, UPPER ACCESS (M7, M8, M9, M10)	
61	1722070	FILTER COVER (M1, M2, M3, M4)	
61	1722071	FILTER COVER (M5, M6)	
61	1722072	FILTER COVER (M7, M8, M9, M10)	
71	1722347	BRACKET, COIL RETAINING	
81	1864700	BLOWER CUT-OFF (M9, M10)	
81	764733	BLOWER CUT-OFF (M1, M2, M3, M4)	
81	764734	BLOWER CUT-OFF (M5, M6)	
81	764736	BLOWER CUT-OFF (M7, M8)	
101	1717107	ANGLE, BLOWER MOUNTING (M1, M2, M3, M4, M5, M6)	
101	1717108	ANGLE, BLOWER MOUNTING (M7, M8, M9, M10)	
111	1717109	ANGLE BRACKET	
171	B1392641	INSERT, CIRCUIT BREAKER	
181	B1392630	GROMMET, TUBING	
191	B1392640	COVER, DRAIN HOLE	
211	B1756021L	HORIZONTAL DRAIN PAN (M1, M2, M3)	
211	B1756022L	HORIZONTAL DRAIN PAN (M4, M5, M6)	
211	B1756028L	HORIZONTAL DRAIN PAN (M7, M8, M9, M10)	
231	B1796630	TUBE, INLET	

Expanded Model Nomenclature

M1 - AR18-1
M2 - AR24-1
M3 - AR30-1
M4 - AR32-1
M5 - AR36-1
M6 - AR42-1
M7 - AR48-1
M8 - AR49-1
M9 - AR60-1
M10 - AR61-1

Internal Components



Internal Components

Ref. Part No:	Part No:	Description:	Ref. Part No:	Part No:	Description:										
<i>Image 1:</i>			241	P140130	COIL PAN ASSEMBLY (M3)										
91	1439398	BLOWER SHELL (10 x 10) (M9, M10)	241	P140132	COIL PAN ASSEMBLY (M4)										
91	1439391	BLOWER SHELL (10 x 8) (M7, M8)	241	P140136	COIL PAN ASSEMBLY (M5)										
91	1439389	BLOWER SHELL (9 x 6) (M1, M2, M3, M4)	241	P140142	COIL PAN ASSEMBLY (M6)										
91	1839304	BLOWER SHELL (9 x 8) (M5, M6)	241	P140148	COIL PAN ASSEMBLY (M7)										
121	B1368057	WHEEL BLOWER (10 x 10) (M9, M10) B1368057 must be used with B13400208S motor service kit. When ordering B13680-57 order B13400208S motor service kit.	241	P140149	COIL PAN ASSEMBLY (M8)										
121	B1368035	WHEEL BLOWER (5.75 x 8) (M1)	241	P140160	COIL PAN ASSEMBLY (M9)										
121	B1368042	WHEEL BLOWER (9 x 6) (M2, M3, M4)	241	P140161	COIL PAN ASSEMBLY (M10)										
121	B1368036	WHEEL BLOWER (9 x 8) (M5, M6, M7, M8)	251	B1796631	TEFLON SEAL (20 IN A PACK)										
121	B1368047A	WHEEL BLOWER 10 x 10) (M9, M10) B1368047A use with B13400206 or B13400207 motor.	261	B1796632	TEFLON AND NUT ASSEMBLY										
131	B945672	CAPACITOR, RUN, 12.5 MFD, 370 VAC (M6, M7, M8)	Expanded Model Nomenclature												
131	B945653	CAPACITOR, RUN, 15 MFD, 370 VAC (M9, M10)	<table border="1"> <tr><td>M1 - AR18-1</td></tr> <tr><td>M2 - AR24-1</td></tr> <tr><td>M3 - AR30-1</td></tr> <tr><td>M4 - AR32-1</td></tr> <tr><td>M5 - AR36-1</td></tr> <tr><td>M6 - AR42-1</td></tr> <tr><td>M7 - AR48-1</td></tr> <tr><td>M8 - AR49-1</td></tr> <tr><td>M9 - AR60-1</td></tr> <tr><td>M10 - AR61-1</td></tr> </table>			M1 - AR18-1	M2 - AR24-1	M3 - AR30-1	M4 - AR32-1	M5 - AR36-1	M6 - AR42-1	M7 - AR48-1	M8 - AR49-1	M9 - AR60-1	M10 - AR61-1
M1 - AR18-1															
M2 - AR24-1															
M3 - AR30-1															
M4 - AR32-1															
M5 - AR36-1															
M6 - AR42-1															
M7 - AR48-1															
M8 - AR49-1															
M9 - AR60-1															
M10 - AR61-1															
131	B945650	CAPACITOR, RUN, 5 MFD, 370 VAC (M1, M2)													
131	B945651	CAPACITOR, RUN, 7.5 MFD, 370 VAC (M3, M4, M5)													
141	B1141643	TRANSFORMER, 45V, 280/230 VOLT PRI., 24 VOLT SEC.													
151	B1370738	RELAY, BLOWER TIME DELAY 24 VOLT COIL, (TEXAS INSTRUMENTS #60000COCO-2) ORDER THIS PART WHEN REPLACING B1370738													
151	B1370735S	RELAY, ELECTRONIC BLOWER TIME DELAY (CIRCUIT BOARD) (UT #1005-170-I) ORDER THIS PART WHEN REPLACING B1370735													
161	B13400206S	MOTOR, DIRECT DRIVE, 3/4 HP (M9, M10) 2-SPEED, 208/230-60-1, PSC, W/MOUNTING KIT, 1075 RPM, A.O. SMITH #F48G56A76 (Must be used with B1368047A blower wheel.)													
161	B13400207S	MOTOR, DIRECT DRIVE, 3/4 HP (M9, M10) 2-SPEED, 208/230-60-1, PSC, W/MOUNTING KIT, 1075 RPM, GE #5KCP39LFR300S (Must be used with B1368047A blower wheel.)													
161	B13400208S	MOTOR, DIRECT DRIVE, 3/4 HP (M9, M10) 2-SPEED, 208/230-60-1, PSC, W/MOUNTING KIT, 1080 RPM, GE #5KCP39MFV938BS (Must be used with B1368047A blower wheel.)													
161	B13400353	MOTOR, DIRECT DRIVE, 1/2 HP (M6, M7, M8) 2-SPEED, 208/230-60-1, PSC, FLEX-MOUNT, 1075 RPM, G.E. # 5KCP39GGP993AS (TYPE PSC), A.O. SMITH #F48A95A76 (TYPE FLL) (Must be used with B1368047A blower wheel.)													
161	B13400312	MOTOR, DIRECT DRIVE, 1/3 HP (M3, M4, M5) 2-SPEED, 208/230-60-1, PSC, FLEX-MOUNT, 1075 RPM, G.E. # 5KCP39GGP993AS, A.O. SMITH #F48A95A76 (Must be used with B1368047A blower wheel.)													
161	B13400313	MOTOR, DIRECT DRIVE, 1/5 HP, (M1, M2) 2-SPEED, 208/230-60-1, PSC, FLEX-MOUNT, 1075 RPM, G.E. #5KCP39CGP874S (Must be used with B1368047A blower wheel.)													
201	B1392631	GASKET, SEAL (QTY 2)													
221	B1756013L	VERTICAL DRAIN PAN (M1, M2, M3)													
221	B1756013L	VERTICAL DRAIN PAN (M4, M5, M6)													
221	B1756020L	VERTICAL DRAIN PAN (M7, M8, M9, M10)													
241	P140118	COIL PAN ASSEMBLY (M1)													
241	P140124	COIL PAN ASSEMBLY (M2)													