



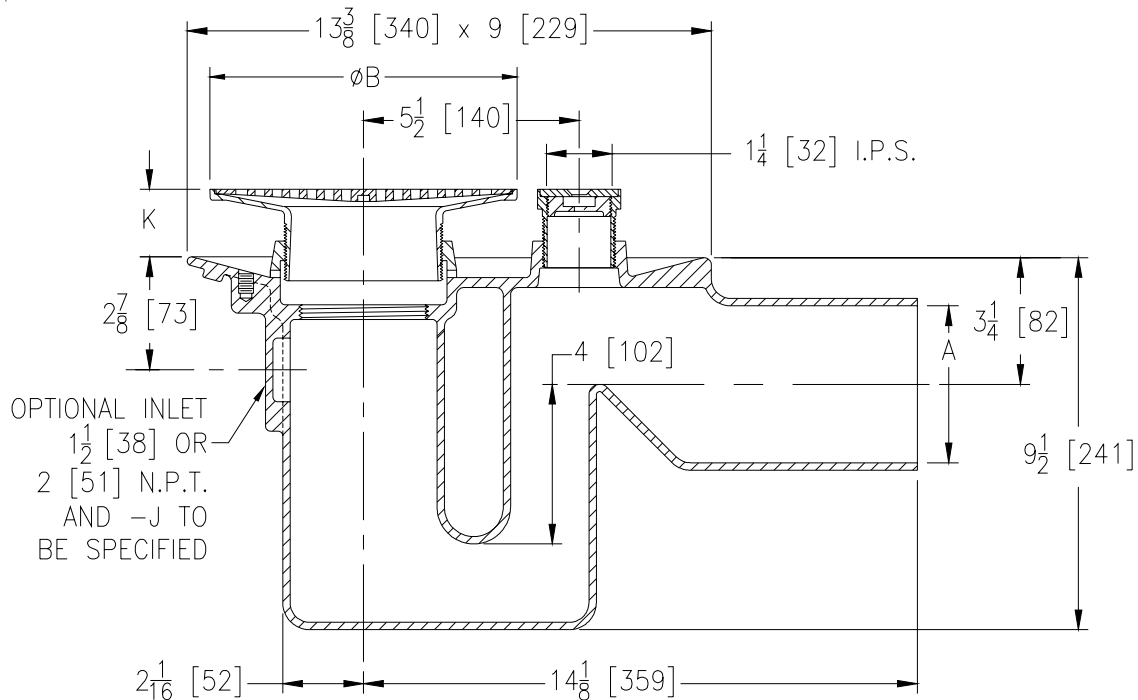
# Z456B-PC

SPECIFICATION SHEET

## DEEP SEAL TRAP DRAIN W/ "TYPE B" STRAINER FLOOR CLEANOUT & FLUSH PLUG COVER

TAG \_\_\_\_\_

Dimensional Data (inches and [ mm ]) are Subject to Manufacturing Tolerances and Change Without Notice



Dimensions In Inches				Approx. Wt. Lbs. [kg]	Strainer Open Area Sq. In. [cm <sup>2</sup> ]
A Pipe Size	B Strainer Dia.	K			
		Min.	Max.		
2-3-4 [51-76-102]	5 [127]	1 1/4 [32]	2 [51]	41 [19]	8 [52]
2-3-4 [51-76-102]	6 [152]	1 1/8 [29]	2 1/4 [57]	43 [20]	9 [58]
2-3-4 [51-76-102]	7 [178]	1 1/2 [38]	2 5/8 [67]	45 [20]	12 [77]
2-3-4 [51-76-102]	8 [203]	1 1/2 [38]	2 5/8 [67]	47 [21]	18 [116]

**ENGINEERING SPECIFICATION:** ZURN ZN456B-PC Floor and shower trap drain, Dura-Coated cast iron body deep seal integral trap, seepage pan, floor level cleanout adjustable "TYPE B" polished, nickel bronze strainer and flush plug cover.

### OPTIONS (Check/specify appropriate options)

#### PIPE SIZE

2-3-4 [51-76-102]

(Specify size) **OUTLET**

\_\_\_\_\_ NH No-Hub

#### PREFIXES

- \_\_\_\_\_ ZB D.C.C.I. Body Assembly w/Polished Bronze Top
- \_\_\_\_\_ ZN D.C.C.I. Body Assembly w/Polished Nickel Bronze Top\*

#### SUFFIXES

- \_\_\_\_\_ -A Acid Resisting Epoxy Coated Cast Iron
- \_\_\_\_\_ -C Clamping Collar
- \_\_\_\_\_ -G Galvanized Cast Iron
- \_\_\_\_\_ -J Auxiliary Inlet (Specify 1 1/2 [38] or 2 [51])
- \_\_\_\_\_ -P Trap Primer Connection (Specify 1/2 [13] or 3/4 [19])
- \_\_\_\_\_ -V Backwater Valve (Ball Float Type)
- \_\_\_\_\_ -VP Vandal-Proof Secured Top
- \_\_\_\_\_ -Y Sediment Bucket

\*REGULARLY FURNISHED UNLESS OTHERWISE SPECIFIED

REV. A DATE: 3/7/05 C.N. NO. 93078

DWG. NO. 59403 PRODUCT NO. Z456B-PC

ZURN INDUSTRIES, INC. ♦ SPECIFICATION DRAINAGE OPERATION ♦ 1801 Pittsburgh Ave. ♦ Erie, PA 16514

Phone: 814/455-0921 ♦ Fax: 814/454-7929 ♦ World Wide Web: www.zurn.com

In Canada: ZURN INDUSTRIES LIMITED ♦ 3544 Nashua Drive ♦ Mississauga, Ontario L4V1L2 ♦ Phone: 905/405-8272 Fax: 905/405-1292