



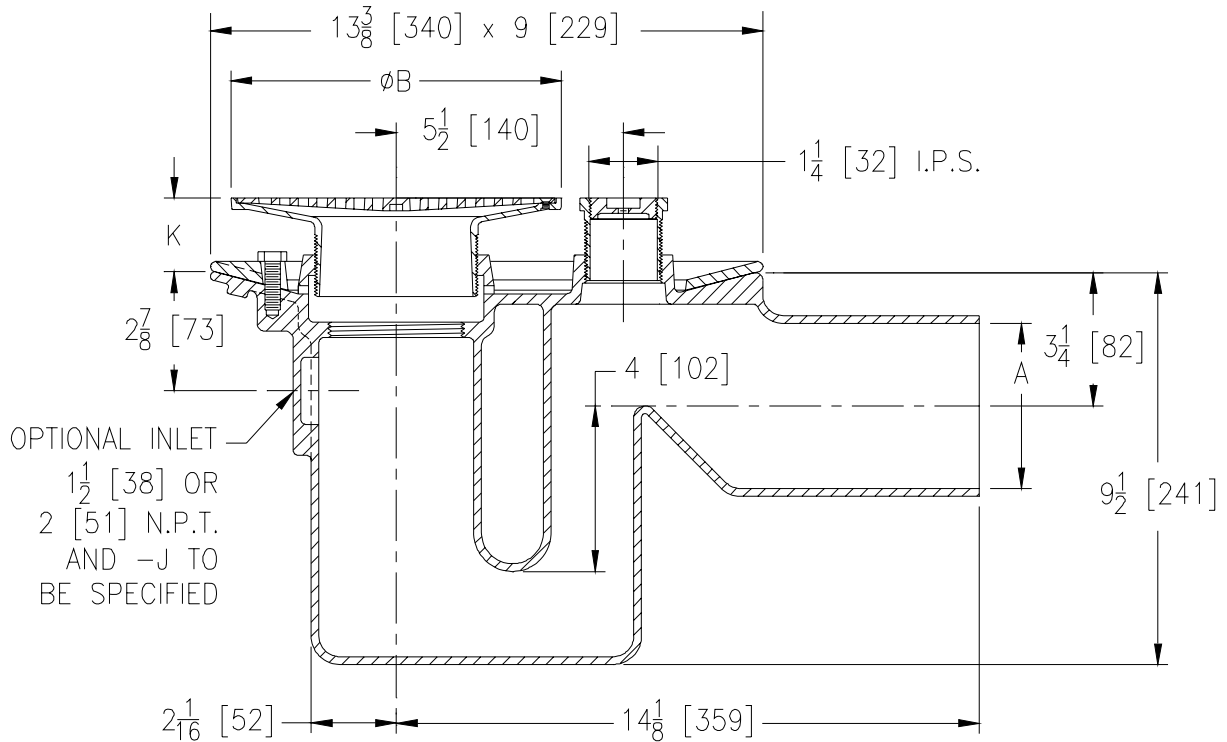
# Z456B

SPECIFICATION SHEET

## DEEP SEAL TRAP W/ "TYPE B" STRAINER FLOOR CLEANOUT & CLAMP COLLAR

TAG \_\_\_\_\_

Dimensional Data (inches and [ mm ]) are Subject to Manufacturing Tolerances and Change Without Notice



Dimensions In Inches			Approx. Wt. Lbs. [kg]	Strainer Open Area Sq. In. [cm <sup>2</sup> ]	
A Pipe Size	B Strainer Dia.	K			
		Min.	Max.		
2-3-4 [51-76-102]	5 [127]	1-1/4 [32]	2 [51]	41 [19]	8 [52]
2-3-4 [51-76-102]	6 [152]	1-1/8 [29]	2-1/4 [57]	43 [20]	9 [58]
2-3-4 [51-76-102]	7 [178]	1-1/2 [38]	2-5/8 [67]	45 [20]	12 [77]
2-3-4 [51-76-102]	8 [203]	1-1/2 [38]	2-5/8 [67]	47 [21]	18 [116]

**ENGINEERING SPECIFICATION:**

ZURNZN456B  
Floor and shower drain, Dura-Coated cast iron body deep seal integral trap with clamp collar, seepage pan, floor level cleanout and adjustable "TYPE B" polished, nickel bronze strainer.

**OPTIONS** (Check/specify appropriate options)

**PIPE SIZE** 2-3-4 [51-76-102] (Specify size) **OUTLET** \_\_\_\_\_ NH No-Hub

**PREFIXES**

- \_\_\_\_\_ ZB D.C.C.I. Body Assembly w/Polished Bronze Top
- \_\_\_\_\_ ZN D.C.C.I. Body Assembly w/Polished Nickel Bronze Top\*

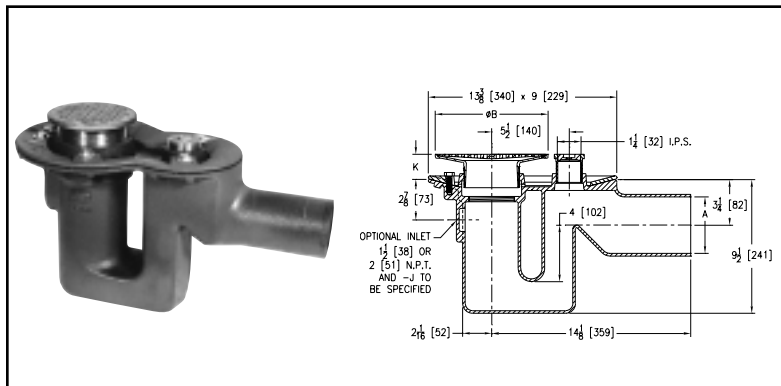
**SUFFIXES**

- \_\_\_\_\_ -AR Acid Resisting Epoxy Coated Cast Iron
- \_\_\_\_\_ -DP Decorative Polished Top
- \_\_\_\_\_ -G Galvanized Cast Iron
- \_\_\_\_\_ -J Auxiliary Inlet Connection (Specify 1 1/2 [38] or 2 [51])
- \_\_\_\_\_ -P Trap Primer Connection (Specify 1/2 [13] or 3/4 [19])
- \_\_\_\_\_ -PC Flush Cover for Plug
- \_\_\_\_\_ -V Backwater Valve (Ball Float Type)
- \_\_\_\_\_ -VP Vandal-Proof Secured Top
- \_\_\_\_\_ -Y Sediment Bucket

REV. E	DATE: 11/17/10	C.N. NO. 120459
DWG. NO. 58814	PRODUCT NO. Z456B	

\*REGULARLY FURNISHED UNLESS OTHERWISE SPECIFIED

## Z456 DEEP SEAL TRAP DRAIN WITH FLOOR CLEANOUT and CLAMP COLLAR with "Type B" Strainer



Strainer Desig.	Dimensions in Inches				Approx. Wt. Lbs.	Str. Open Area Sq. In.	ZB	ZN*	Body Only
	A Pipe Size	B Str. Dia.	K						
			Min.	Max.					
- 5B	2-3-4	5	1-1/4	2	41	8	\$521.00	\$530.00	\$421.00
- 6B	2-3-4	6	1-1/8	2-1/4	43	9	549.00	569.00	421.00
- 7B	2-3-4	7	1-1/2	2-5/8	45	12	590.00	604.00	421.00
- 8B	2-3-4	8	1-1/2	2-5/8	47	18	649.00	668.00	421.00

**ENGINEERING SPECIFICATION:** ZURN ZN456B floor and shower drain. Dura-Coated cast iron body, deep seal integral trap with clamp collar, seepage pan, floor level cleanout, and adjustable "Type B" polished, nickel bronze strainer.

**NOTE:** For other available strainer variations see Z400 Strainer Series Pages 43 through 50. Add price for required strainer to "BODY ONLY" price in chart. Specify strainer designation required.

### OPTIONS

**OUTLETS** (Specify pipe size in inches and type of outlet.)

OUTLET TYPE	OUTLET DESIGNATION Pipe Size/Outlet Type	'E' BODY HT. DIM.	ADD
No-Hub	2NH, 3NH, 4NH	9-1/2"	N/C

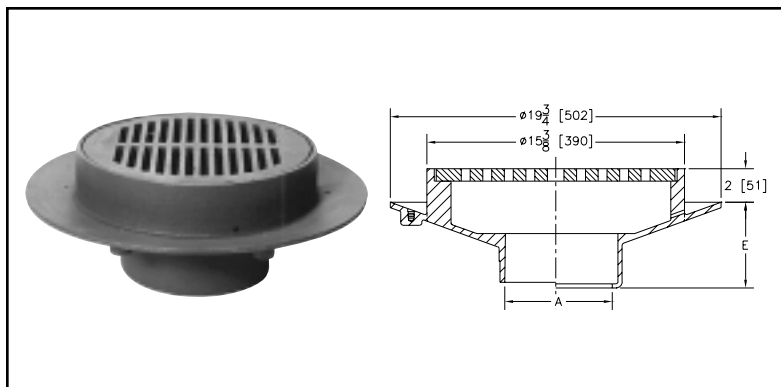
**PREFIXES** (See chart for pricing)

ZB	D.C.C.I. Body Assembly with Polished Bronze Top
ZN	D.C.C.I. Body Assembly with Polished Nickel Bronze Top*

### SUFFIXES

SUFFIXES	ADD
-AR	Acid Resisting Epoxy Coated Cast Iron . . . . . \$292.00
-DP	Decorative Polished Top . . . . . 142.00
-G	Galvanized Cast Iron . . . . . 173.00
-J	Auxiliary Inlet Connection (Specify 1-1/2" or 2") . . . . . 129.00
-P	Trap Primer Connection (Specify 1/2" or 3/4") . . . . . 56.00
-PC	Flush Cover for Plug . . . . . 42.00
-V	Backwater Valve (Ball Float Type) . . . . . 149.00
-VP	Vandal-Proof Secured Top . . . . . 20.00
-Y	Sediment Bucket . . . . . 41.00

## Z503 15" HEAVY-DUTY AREA DRAIN



A Pipe Size Inches	Approx. Wt. Lbs.	Grate Open Area Sq. In.	Z*	ZB	ZN
3 - 4 - 5 - 6 - 8	90	45	\$1,018.00	\$1,421.00	\$1,508.00

**ENGINEERING SPECIFICATION:** ZURN Z503 15" diameter top drain, Dura-Coated cast iron body with bottom outlet, seepage pan and heavy-duty anti-tilt slotted grate.

### OPTIONS

**OUTLETS** (Specify pipe size in inches and type of outlet.)

OUTLET TYPE	OUTLET DESIGNATION Pipe Size/Outlet Type	'E' BODY HT. DIM.	ADD
Inside Caulk	3IC, 4IC, 5IC, 6IC	5-1/8"	N/C
Inside Caulk	8IC	5-5/8"	N/C
Inside Gasket	3IG, 4IG, 6IG	5-1/8"	N/C
Threaded	3IP, 4IP, 5IP, 6IP, 8IP	3"	\$29.00
Neo-Loc	4NL	3-7/8"	N/C

**PREFIXES** (See chart for pricing)

Z	D.C.C.I. Body and Top*
ZB	D.C.C.I. Body with Polished Bronze Top*
ZN	D.C.C.I. Body with Polished Nickel Bronze Top*

\*Add 3/16" to 2" Dimension

### SUFFIXES

SUFFIXES	ADD
-AR	Acid Resisting Epoxy Coated Cast Iron . . . . . \$345.00
-C	Clamp Collar . . . . . N/C
-DG	Duresist Grate . . . . . 245.00
-G	Galvanized Cast Iron . . . . . 345.00
-S	Secondary Strainer . . . . . 35.00
-TC	Neo-Loc Test Cap Gasket (4" NL Bottom Outlet Only) . . . . . 24.00
-TS	Top Secured with Slotted Screws . . . . . 48.00
-V	Backwater Valve (See Z1099) . . . . . -
-VP	Vandal-Proof Secured Top . . . . . 54.00
-Y	Sediment Bucket . . . . . 117.00

\*Regularly furnished unless otherwise specified.

Floor Drains