

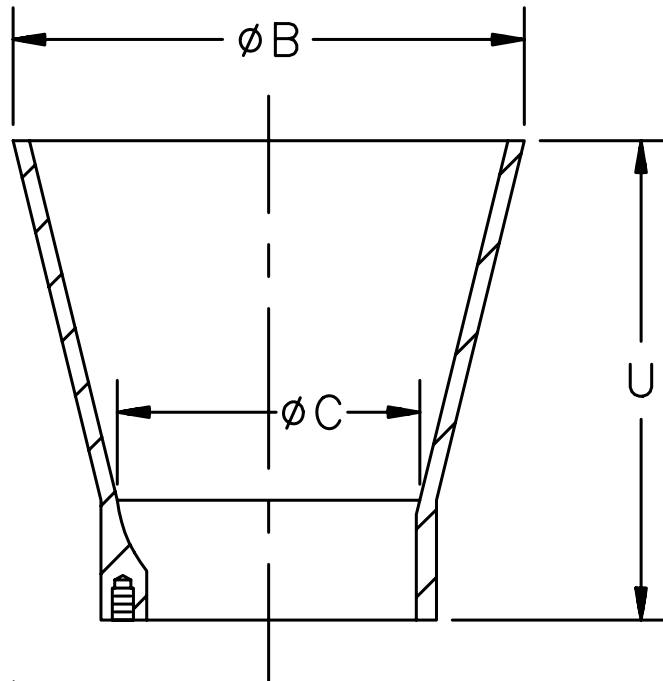


Z328 FUNNEL CONVERTING ASSEMBLY

SPECIFICATION SHEET

TAG _____

Dimensional Data (inches and [mm]) are Subject to Manufacturing Tolerances and Change Without Notice



Product Designation	Dimensions In Inches			Approx. Wt. Lbs. [kg]
	B	C	U	
-4	4 [102]	2-1/4 [57]	3-3/4 [95]	2 [1]
-6	6 [152]	2-7/8 [73]	6 [152]	5 [2]

ENGINEERING SPECIFICATION: ZURN Z328
 4 [102] or 6 [152] Diameter Funnel Converting Assembly, Dura-Coated cast iron (or finish to suit drain top), with necessary fasteners to secure funnel to strainer.

OPTIONS (Check/specify appropriate options)

PREFIXES

- ___ Z D.C.C.I Funnel*
- ___ ZB Polished Bronze Funnel
- ___ ZN Polished Nickel Bronze Funnel

SUFFIXES

- ___ -AR Acid Resisting Epoxy Coated Cast Iron
- ___ -G Galvanized Cast Iron
- ___ -6 6 [152] Diameter Funnel

REV. D	DATE: 11/08/10	C.N. NO. 120340
DWG. NO. 58976	PRODUCT NO. Z328	

*REGULARLY FURNISHED UNLESS OTHERWISE SPECIFIED