



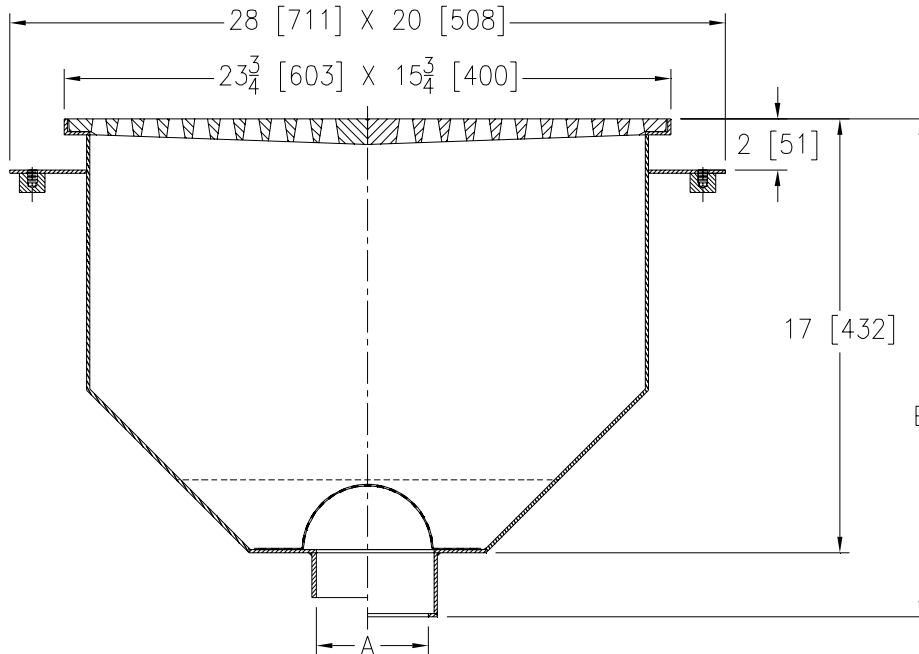
Z1995

24 X 16 [610 X 406] A.R.C. SANI-FLOR RECEPTOR 17 [432] SUMP DEPTH

SPECIFICATION SHEET

TAG _____

Dimensional Data (inches and [mm]) are Subject to Manufacturing Tolerances and Change Without Notice



A- Pipe Size In.	Approx Wt. Lbs. [kg]	Grate Open Area Sq. In. [cm ²]
3-4-6 [76-102-152]	250 [113]	70 [452]

ENGINEERING SPECIFICATION: ZURN Z1995

Sani-Flor Receptor 24 x 16 x 17 [610 x 406 x 432] deep, white acid resisting coated interior and exterior, fabricated steel body with integral anchor flange, and rectangular square holed heavy-duty grate, complete with stainless steel anti-splash interior bottom dome strainer.

OPTIONS (Check/specify appropriate options)

PIPE SIZE

3 thru 6 [76 thru 152]
3 thru 6 [76 thru 152]

(Specify size/type) **OUTLET**

___ IC Inside Caulk
___ NH No-Hub

'E' BODY HT. DIMENSION

Z	ZN
19-1/2 [495]	19-3/4 [508]
18-3/4 [476]	19 [483]

PREFIXES

___ Z Fabricated Steel Body with White A.R.C. Interior*
___ ZN Fabricated Steel Body with White A.R.C. Interior, 16-1/8 x 24-1/8 [410 x 613] N.B. Frame and Full Grate with 1/4 [6] Square Openings
(Add 3/8 [10] to 15-3/4 x 23-3/4 [400 x 603] and 3/16 [5] to 'E' Dim.)

SUFFIXES

___ -KC	Anchor Flange with Seepage Holes and Clamp Collar	___ -8	Grate w/ 8-7/8 x 3-5/8 x 3-3/4 [225 x 92 x 95] High Oval Funnel
___ -LD	(Less) Bottom Dome Strainer	___ -25	White A.R.C. Bucket
___ -P	1/2 [13] Trap Primer Connection	___ -31	Stainless Steel Mesh Liner for Bucket
___ -1	(Less) Grate	___ -33	White A.R.C. Anti-Splash Bottom Dome Strainer
___ -2	1/2 Grate		
___ -3	3/4 Grate		
___ -4	Full Grate with Square Center Opening		
___ -5	Grate w/ 4 [102] Dia. x 3-3/4 [95] High Funnel		
___ -6	Grate w/ 6 [152] Dia. x 6 [152] High Funnel		
___ -7	Grate w/ 6-3/4 x 3 x 1 [171 x 76 x 25] High Oval Funnel		

*REGULARLY FURNISHED UNLESS OTHERWISE SPECIFIED

REV. G DATE: 9/13/06 C.N. NO. 94991

DWG. NO. 59353

PRODUCT NO. Z1995

ZURN INDUSTRIES, LLC. ♦ SPECIFICATION DRAINAGE OPERATION ♦ 1801 Pittsburgh Ave. ♦ Erie, PA 16514

Phone: 814/455-0921 ♦ Fax: 814/454-7929 ♦ World Wide Web: www.zurn.com

In Canada: ZURN INDUSTRIES LIMITED ♦ 3544 Nashua Drive ♦ Mississauga, Ontario L4V1L2 ♦ Phone: 905/405-8272 Fax: 905/405-1292