

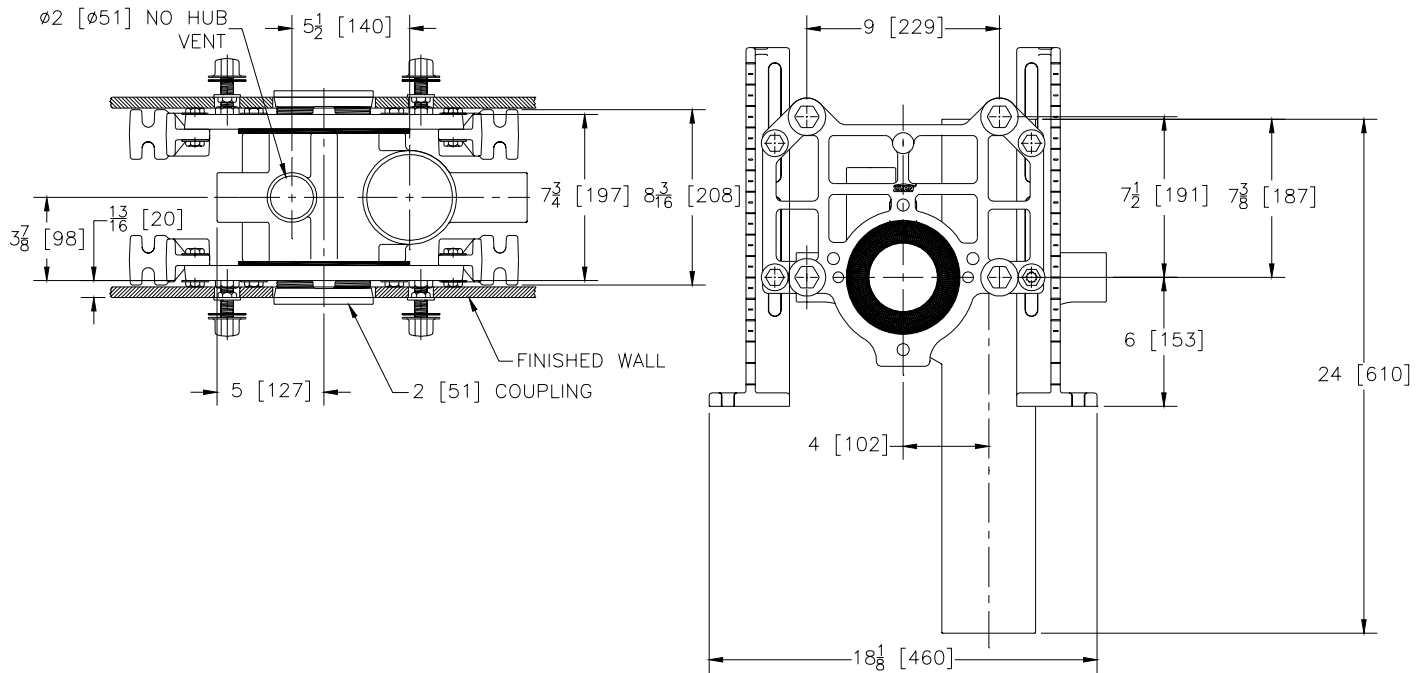


ZN1209-ND4
VERTICAL OFFSET BACK -TO-BACK
SIPHON JET NO-HUB NARROW WALL SYSTEM

SPECIFICATION SHEET

TAG _____

Dimensional Data (inches and [mm]) are Subject to Manufacturing Tolerances and Change Without Notice



Note:

1. Feet bolted to floor using min. 1/2 [13] dia. bolts and back slots on carrier feet.

Product No.	Approx. Wt. Lbs.
ZN1209-ND4	109 [49]

ENGINEERING SPECIFICATION: ZURN ZN1209-ND4 Narrow Wall Back-To-Back, Vertical Offset Siphon Jet Water Closet "Rigid System" with () size No-Hub or Hub and Spigot connections and 2 [51] vent Complete with Dura-Coated Cast Iron main fitting, Separable Face Plates, Rigidly Mounted on Fitting, Universal Floor Mounted Supports, Corrosion Resistant Adjustable ABS couplings with integral test cap, fixture bolts trim, and stud protectors. Rear anchor tie down, and bonded "Neo-Seal" gasket.

PRODUCT/DEFINITION

___ **ZN1209-ND4** 4 [102] No-Hub Stack, Double Inlet, 2 [51] Vent

PREFIXES

- ___ **Z** D.C.C.I. System with Zurn "ZZ" Adjustable Coupling*
 ___ **ZQ** D.C.C.I. System with Non-Adjustable Coupling

SUFFIXES

- | | |
|---|--|
| ___ -B Blowout Type Fixture Support | ___ -X3 3[76] Inch Foot Extension |
| ___ -CC Corrosion Resistant Cast Iron Coupling | ___ -X4 4[102] Inch Foot Extension |
| ___ -G Galvanized Cast Iron | ___ -29 Mechanical Test Cap Assembly |
| ___ -JJ Two 2 [51] Auxiliary Inlets | ___ -45 Finishing Frame for Siphon Jet System
(For Blowout System specify -45-B) |
| ___ -JS 2 [51] Stack Side Auxiliary Inlet | ___ -50 Flush Valve Supply Support for Water Close |
| ___ -JV 2 [51] Vent Side Auxiliary Inlet | ___ -61 "ZZ" Coupling Wrench |
| ___ -VP Vandal Proof Trim | |

REV. A DATE: 07/20/05 C.N. NO. 93629

DWG. NO. 82393 PRODUCT NO. ZN1209-ND4

*REGULARLY FURNISHED UNLESS OTHERWISE SPECIFIED

ZURN INDUSTRIES, INC. ♦ SPECIFICATION DRAINAGE OPERATION ♦ 1801 Pittsburgh Ave. ♦ Erie, PA 16514

Phone: 814/455-0921 ♦ Fax: 814/454-7929 ♦ World Wide Web: www.zurn.com

In Canada: ZURN INDUSTRIES LIMITED ♦ 3544 Nashua Drive ♦ Mississauga, Ontario L4V1L2 ♦ Phone: 905/405-8272 Fax: 905/405-1292