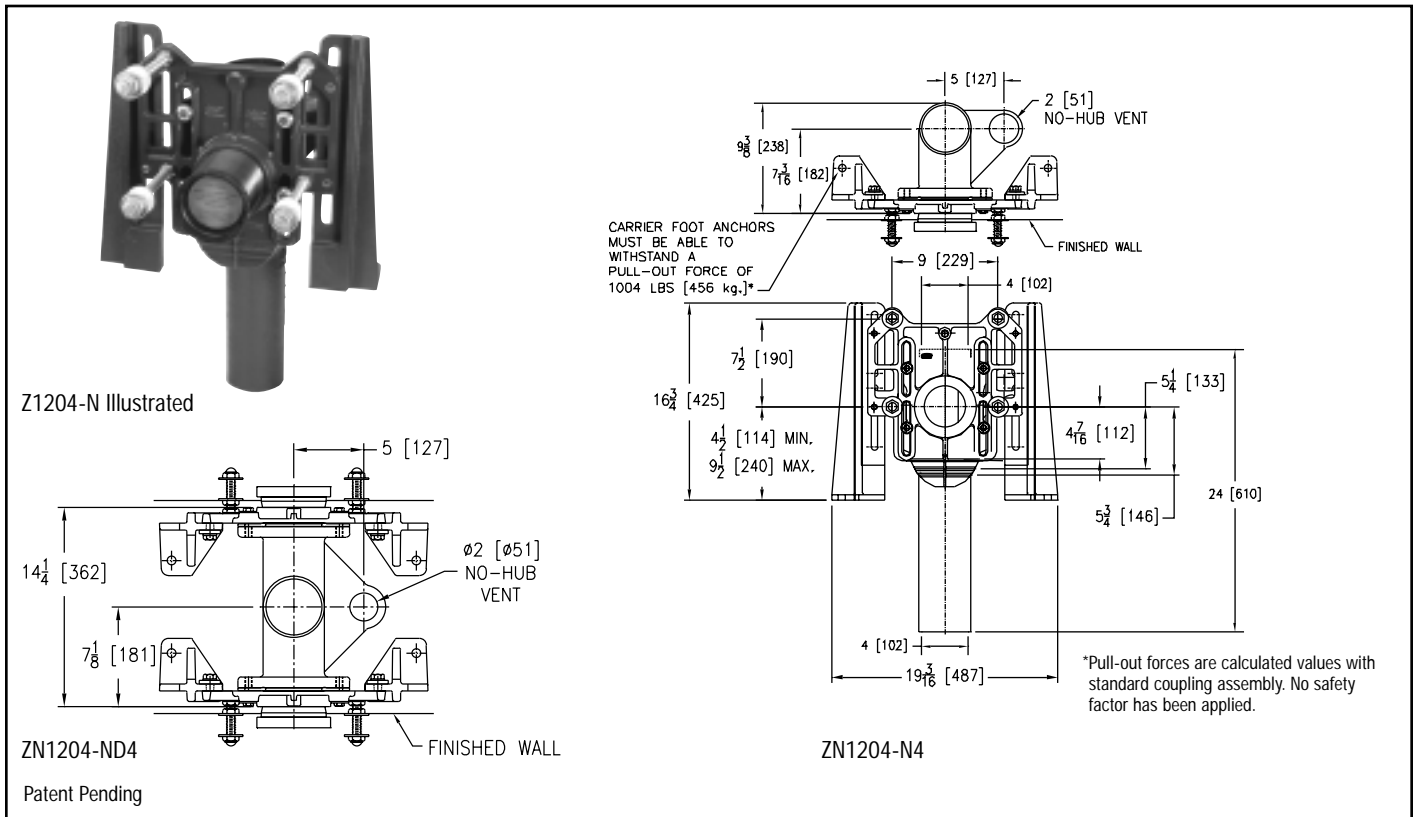


**ZN1204-N4 and ZN1204-ND4 ADJUSTABLE VERTICAL SIPHON JET –
No-Hub Narrow Wall System (9-3/8" Depth Front to Back)**



Product Number	Approx. Wt. Lbs.	Z*
ZN1204-N4	96	\$ 836.00
ZN1204-ND4	136	1,620.00
ZN1204-N5	102	1,044.00
ZN1204-ND5	143	1,799.00
ZN1204-N6	113	1,218.00
ZN1204-ND6	153	1,980.00

ENGINEERING SPECIFICATION: ZURN ZN1204-N4 Narrow wall adjustable, vertical siphon jet water closet "Rigid System" with 4" No-Hub connections and () side inlets. Dura-Coated cast iron right-hand, left-hand, or double main fitting with 2" vent, adjustable gasketed chase saver faceplate, floor mounted foot supports, corrosion resistant adjustable ABS coupling with integral test cap, fixture bolts, trim, stud protectors, and bonded "Neo-Seal" gasket. Carrier complies with all applicable requirements of ASME A112.6.1M up to a 300-lb. load.

Notes:

1. Feet bolted to floor using anchors capable of achieving the specified pull-out force.
2. 2" No-Hub vent connection regularly furnished on right-hand side. Left hand available when specified (Suffix -VL).
3. Auxiliary inlet available right (-JR) or left (-JL) or both sides (-JJ) when specified.

OPTIONS

PRODUCT/DEFINITION

- ZN1204-N No-Hub Stack, Single Inlet, 2" Right-Hand Vent
- ZN1204-ND No-Hub Stack, Double Inlet, 2" Right-Hand Vent

PREFIXES

		PRICING	
		Single	Double
Z	D.C.C.I. System with Zurn "ZZ" Adjustable Coupling*	See Chart	
ZQ	D.C.C.I. System with NPT Faceplate, Non-Adjustable Coupling	N/C	

SUFFIXES

		ADD	
		Single	Double
-B	Blowout Type Fixture Support	N/C	N/C
-G	Galvanized Cast Iron	\$637.00	\$1,035.00
-JJ	Two 2" Auxiliary Inlets	317.00	317.00
-JL	2-Inch Left-Hand Auxiliary Inlet	159.00	159.00
-JR	2-Inch Right-Hand Auxiliary Inlet	159.00	159.00
-T	Threaded Connection	POA	POA
-VL	Left-Hand Vent Connection	N/C	N/C
-VP	Vandal-Proof Trim	59.00	120.00
-X3	3-Foot Extension Assembly	38.00	76.00
-X4	4-Foot Extension Assembly	50.00	100.00
-50	Flush Valve Supply Support for W.C.	38.00	76.00
-61	"ZZ" Coupling Wrench	46.00	46.00

DEDUCT

-F	Floor Mount, Back Outlet Fixture Support	\$69.00	\$138.00
----	--	---------	----------

*Regularly furnished unless otherwise specified. Letter dimensions to meet fixture requirements.