



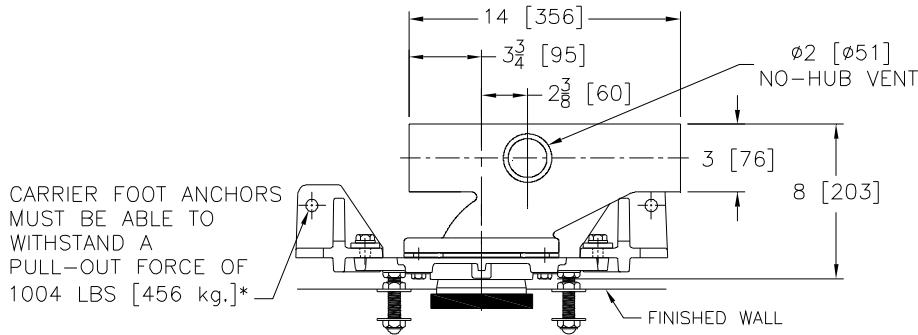
ZN1203-N3

ADJUSTABLE HORIZONTAL SIPHON JET NO-HUB NARROW WALL SYSTEM, (8 [203] DEPTH FRONT TO BACK)

SPECIFICATION SHEET

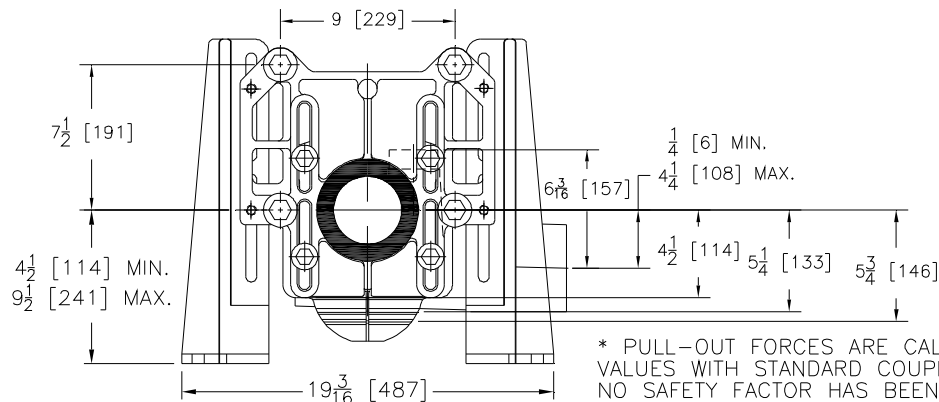
TAG _____

Dimensional Data (inches and [mm]) are Subject to Manufacturing Tolerances and Change Without Notice



Product Number	Approx. Wt. Lbs. [kg]
ZN1203-NL3	79 [36]
ZN1203-NR3	

**PATENT
PENDING**



ENGINEERING SPECIFICATION: ZURN ZN1203-N() Narrow Wall Adjustable, horizontal siphon jet water closet "Rigid System" with 3 [76] No-Hub connections. Complete with Dura-Coated cast iron right hand or left hand main fitting, with 2 [51] vent, adjustable gasketed chase saver face plate, floor mounted foot supports, corrosion resistant ABS coupling with integral test cap, fixture bolts, trim, stud protectors, and bonded "Neo-Seal" gasket. Carrier complies with all applicable requirements of ASME A112.6.1M up to a 300-Lb. [136-kg.] load.

OPTIONS (Check/specify appropriate options)

- _____ ZN1203-NR3 3 [76] No-Hub Right Hand Inlet with Flow to Left for Narrow Wall
 _____ ZN1203-NL3 3 [76] No-Hub Left Hand Inlet with Flow to Right for Narrow Wall

PREFIXES

- _____ Z D.C.C.I. System with Zurn "ZZ" Adjustable Coupling*
 _____ ZQ D.C.C.I. System with N.P.T. Faceplate, Non-Adjustable Coupling

SUFFIXES

- _____ -B Blowout Type Fixture Support
 _____ -G Galvanized Cast Iron
 _____ -T Threaded Connection
 _____ -VP Vandal Proof Trim
 _____ -50 Flush Valve Supply Support for Water Closets
 _____ -61 "ZZ" Coupling Wrench

Note:

1. Feet bolted to floor using anchors capable of achieving the specified pull-out force.

*REGULARLY FURNISHED UNLESS OTHERWISE SPECIFIED

REV. DATE: 10/25/07 C.N. NO. 97521

DWG. NO. 83506 PRODUCT NO. ZN1203-N3

ZURN INDUSTRIES, LLC. " SPECIFICATION DRAINAGE OPERATION " 1801 Pittsburgh Ave. " Erie, PA 16514

Phone: 814455-0921 " Fax: 814454-7929 " World Wide Web: www.zurn.com

In Canada: ZURN INDUSTRIES LIMITED " 3544 Nashua Drive " Mississauga, Ontario L4V1L2 " Phone: 905405-8272 Fax: 905405-1292