



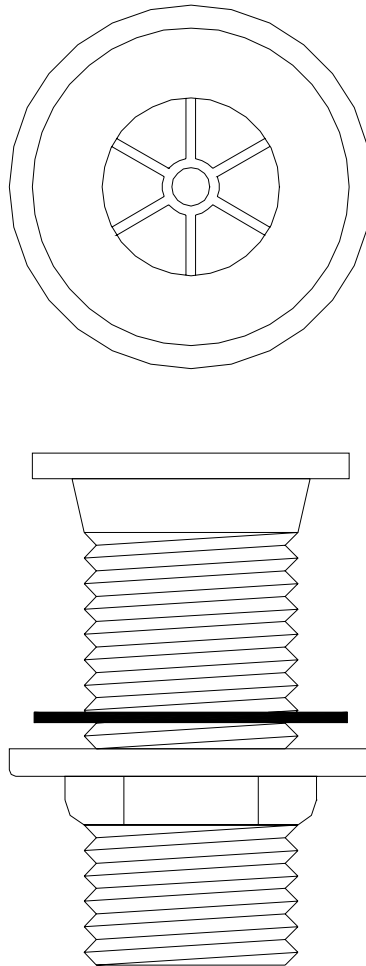
# Z9A-WA-112

## WASTE ASSEMBLY

SPECIFICATION SHEET

TAG \_\_\_\_\_

Dimensional Data (inches and [ mm ]) are Subject to Manufacturing Tolerances and Change Without Notice



Dimensions in Inches				
Size	Flanged Dia.	Height	Flange	Color
1.5"	2.89	3.75	Polyolefin	White
1.5"	3.38	3.75	Polyplefin	Black

**ENGINEERING SPECIFICATION:** ZURNZ9A-WA-112

Waste Assembly is constructed of a corrosion resistant polyolefin that conforms to ASTM #1412-92. Complete with backing nut and polyethylene gasket, integrally molded strainer and plug.

**OPTIONS** (Check/specify appropriate options)

\_\_\_ -WH White Assembly

REV. A	DATE: 9/27/06	C.N. NO. 95668
DWG. NO. 63178	PRODUCT NO. Z9A-WA-112	

\*REGULARLY FURNISHED UNLESS OTHERWISE SPECIFIED

ZURN INDUSTRIES, INC. ♦ SPECIFICATION DRAINAGE OPERATION ♦ 1801 Pittsburgh Ave. ♦ Erie, PA 16514

Phone: 814/455-0921 ♦ Fax: 814/454-7929 ♦ World Wide Web: www.zurn.com

In Canada: ZURN INDUSTRIES LIMITED ♦ 3544 Nashua Drive ♦ Mississauga, Ontario L4V1L2 ♦ Phone: 905/405-8272 Fax: 905/405-1292