



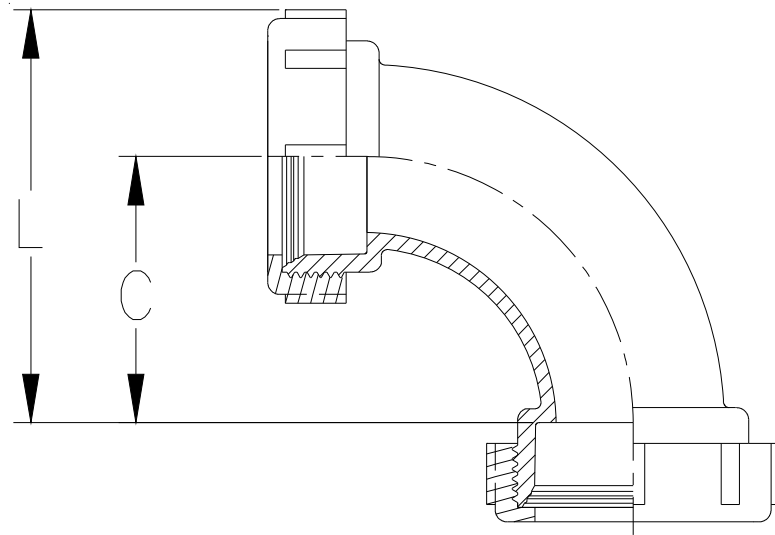
Z9A-LS90

90° LONG SWEEP ELBOW THREADED X THREADED FOR ACID WASTE

SPECIFICATION SHEET

TAG _____

Dimensional Data (inches and [mm]) are Subject to Manufacturing Tolerances and Change Without Notice



Dimensions In Inches		
Nominal Pipe Size	C	L
1-1/2 [38]	2-3/4 [70]	4-9/32 [108]
2 [51]	3-1/4 [83]	5-1/32 [128]

ENGINEERING SPECIFICATION:

ASTM-F1412, F.R.P.P.-210

ZURNZ9-LS90

90° LONG SWEEP ELBOW-THREADED X THREADED FLAME RETARDANT
POLYPROPYLENE ASSEMBLY.

PIPE SIZE

1-1/2, 2 [Sch 40]

(Specify size/type) **CONNECTION**

- ___ -F Fusion lock seal
- ___ -M Mechanical joint seal
- ___ -S Stab-Lock seal

REV. B	DATE: 07/11/08	C.N. NO. 98759
DWG. NO. 63856	PRODUCT NO. Z9-LS90	

*REGULARLY FURNISHED UNLESS OTHERWISE SPECIFIED