

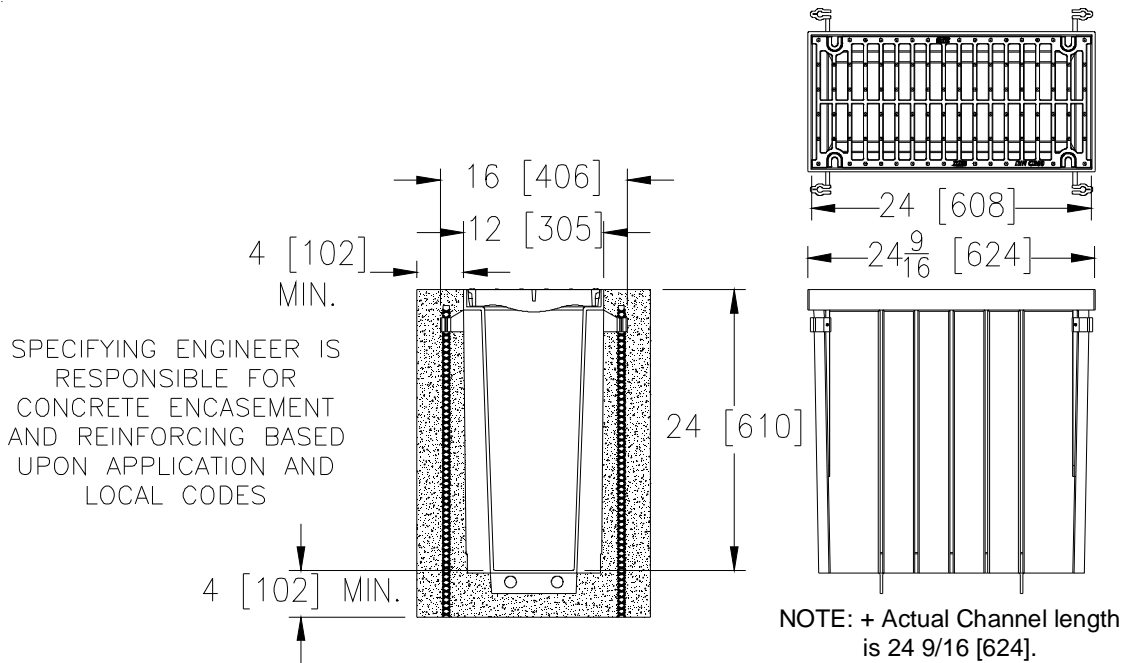


Z887-12

12 [305] WIDE REVEAL x 24-9/16 [624] LONG CATCH BASIN

TAG _____

Dimensional Data (inches and [mm]) are Subject to Manufacturing Tolerances and Change Without Notice



SPECIFYING ENGINEER IS RESPONSIBLE FOR CONCRETE ENCASUREMENT AND REINFORCING BASED UPON APPLICATION AND LOCAL CODES

ENGINEERING SPECIFICATION: Zurn Z887-12

Catch Basin shall be 12 [305] wide reveal x 24-9/16 [624] long, and 24 [610] deep. Catch basin shall be made of 0% water absorbent High Density Polyethylene (HDPE). Shall mechanically lock into the concrete surround every 10 [254]. Basin shall weigh less than 14.6 lbs. [6.6 kg]. Catch basin shall have rebar clips standard to secure basin in its final location. Shall be provided with standard DGC grate. Zurn 12 [305] wide reveal Ductile Iron Slotted Grate conforming to ASTM specification A536-84, Grade 80-55-06. Ductile Iron grate is rated class C per the DIN EN1433 top load classifications. Supplied in 24 [608] nominal lengths with 13/16 [21] wide slots, and 1-1/2 [38] bearing depth. Grate has an open area of 80.8sq. in per ft. [171,027 sq. mm per meter].

PREFIX OPTIONS (Check/specify appropriate options)

___ Z 12-inch by 24-inch High Density Polyethylene (HDPE) Catch Basin*

SUFFIX OPTIONS (Check/specify appropriate options)

Adapters

- ___ -E3/U3 3 [76] No-Hub End/Bottom Outlet Adapter
- ___ -E4/U4 4 [102] No-Hub End/Bottom Outlet Adapter
- ___ -E6/U6 6 [152] No-Hub End/Bottom Outlet Adapter
- ___ -IA Inlet Adapter (Z886)
- ___ -IA Inlet Adapter (Z882)

Grate Options (Load Classifications are per DIN EN1433)

- ___ -DGC Ductile Iron Slotted Grate - Class C *
- ___ -GDC Galvanized Ductile Slotted Grate - Class C
- ___ -GG Fiberglass Grate - Class A
- ___ -GHPDE Galvanized Heel-Proof Ductile Slotted Grate - Class E
- ___ -HPD Heel-Proof Ductile ADA Grate - Class B
- ___ -HPDE Heel-Proof Ductile Slotted Grate - Class E
- ___ -RFGC Reinforced Slotted Galvanized Grate - Class C
- ___ -RPGC Reinforced Perforated Galvanized Grate - Class C
- ___ -RPGRC Reinforced Perforated Galvanized Reverse Punch Grate - Class C
- ___ -RFSC Reinforced Slotted Stainless Steel Grate - Class C
- ___ -RPSC Reinforced Perforated Stainless Steel Grate - Class C
- ___ -RPSRC Reinforced Perforated Stainless Steel Reverse Punch Grate - Class C
- ___ -SBG-L Stainless Steel Bar Grate - Class C

Miscellaneous Options

- ___ -CBF Black Acid Resistant Coated Frame
- ___ -GFA Galvanized Extra-Heavy Duty Frame Assy. w/ Studs
- ___ -HD Extra-Heavy-Duty Frame Assembly w/ Anchor Studs
- ___ -SF Type 304 Stainless Steel Top Frame
- ___ -Y Sediment Bucket

MADE in the U.S.A. (Load Classifications are per DIN EN1433)

- ___ -ADA-USA Meets Americans with Disabilities Act Requirements - Class C
- ___ -DGC-USA Ductile Iron Slotted Grate - Class C
- ___ -FG Fabricated Galvanized Steel Slotted Grate - Class A
- ___ -FS Fabricated Stainless Steel Slotted Grate - Class A
- ___ -GADA-USA Galvanized Ductile ADA Slotted Grate - Class C
- ___ -GDC-USA Galvanized Ductile Slotted Grate - Class C
- ___ -GHPDE-USA Galvanized Ductile Slotted Grate - Class E
- ___ -HPDE-USA Heel-Proof Ductile Slotted Grate - Class E
- ___ -PG Perforated Galvanized Steel ADA Grate - Class A
- ___ -PS Perforated Stainless Steel ADA Grate - Class A
- ___ -RFG-USA Reinforced Galvanized Steel Slotted Grate - Class B
- ___ -RFS-USA Reinforced Stainless Steel Slotted Grate - Class B
- ___ -RPG-USA Reinforced Galvanized Perforated ADA Grate - Class B
- ___ -RPGR Reinforced Galvanized Perforated Reverse Punch Anti-Slip ADA Grate - Class B
- ___ -RPS-USA Reinforced Stainless Steel Perforated ADA Grate - Class B
- ___ -RPSR Reinforced Stainless Steel Perforated Reverse Punch Anti-Slip ADA Grate - Class B

REV. M DATE: 5/10/12 C.N. NO. 124288

PROD/DWG. NO. Z887-12

*REGULARLY FURNISHED UNLESS OTHERWISE SPECIFIED