



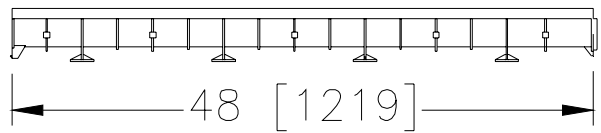
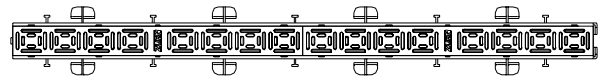
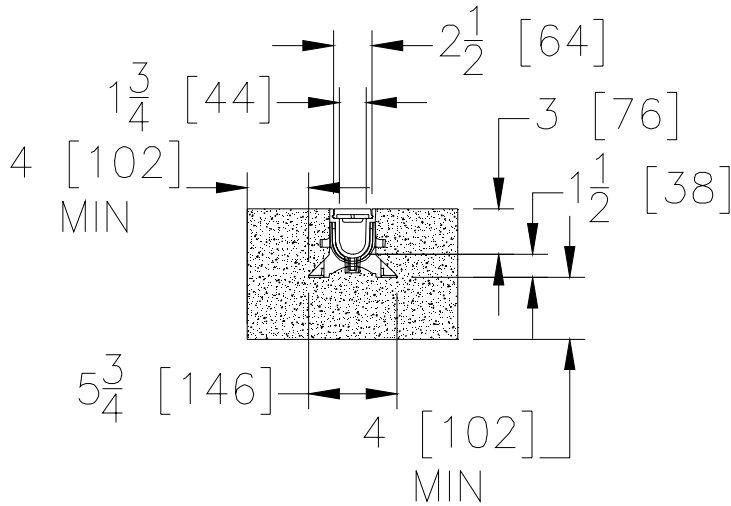
Z880

2 1/2 [64] WIDE REVEAL TRENCH DRAIN SYSTEM

TAG _____

Dimensional Data (inches and [mm]) are Subject to Manufacturing Tolerances and Change Without Notice

SPECIFYING ENGINEER IS RESPONSIBLE FOR CONCRETE ENCASEMENT AND REINFORCING BASED UPON APPLICATION AND LOCAL CODES



ENGINEERING SPECIFICATION: Zurn Z880 2 1/2 [64] Wide Trench Drain System shall be 48 [1220] long and 2 1/2 [63.5] wide. Drain shall be 3 [76] deep. Drain shall be made of (HDPE) High Density Polyethylene, and is UV-10 stabilized. Drain shall have bedding feet to be used for positioning and anchoring purposes. Drain shall have tongue and groove snap fit connection. Drain shall have 24 [610] long high-density polyethylene decorative grate (-POG) provided as standard.

PREFIX OPTIONS (Check/specify appropriate options)

Z Four-foot, Linear High Density Polyethylene (LHPDE) Modular Drain Channel*

SUFFIX OPTIONS (Check/specify appropriate options)

Outlet Adapters Add/Each

-E1 Closed End Cap -U1.5 1-1/2 [38] No-Hub Bottom Outlet
 -E1.5 1-1/2 [38] No-Hub End Outlet

Grate Options (Load Classifications are per DIN EN1433)

- AWG Aluminum Wire Grate - Class A
- BZ Bronze Decorative Grate - Class A
- POG Heel-Proof Polyethylene Grate - Class A *
- SOG Stainless Steel Decorative Grate
- SWG Stainless Steel Wire Grate - Class A

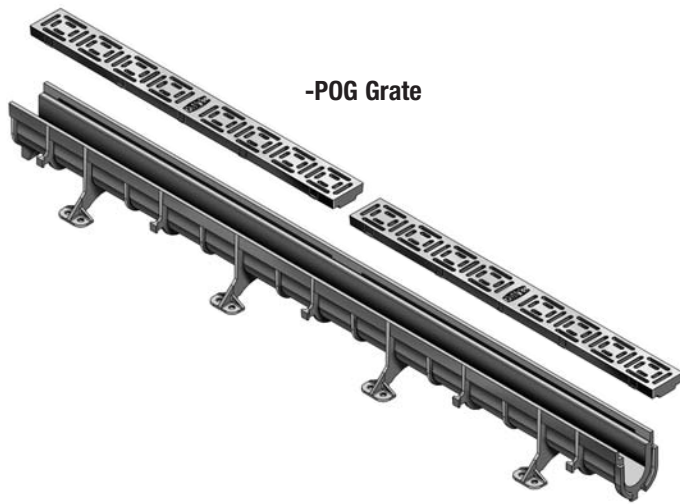
Miscellaneous Options

- C45 45 Degree Channel
- C90 90 Degree Channel
- G45 45 Degree Plastic Channel
- G90 90 Degree Plastic Channel
- S45 45 Degree Channel and Stainless Steel Grate
- S90 90 Degree Channel and Stainless Steel Grate

*REGULARLY FURNISHED UNLESS OTHERWISE SPECIFIED

REV.	DATE: 11/1/10	C.N. NO. 120205
DWG. NO. 303169	PRODUCT NO. Z880	

Z880 2-1/2" Wide Non-sloped Trench Drain



Closed End Cap (E1)

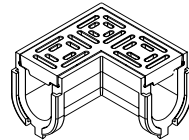


End Outlet (1-1/2" NH)

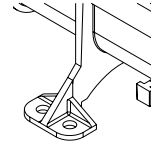


Bottom Outlet (1-1/2" NH)

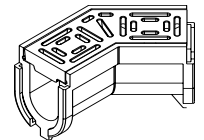
Z880 System Highlights



90° Connector Channel with Grate

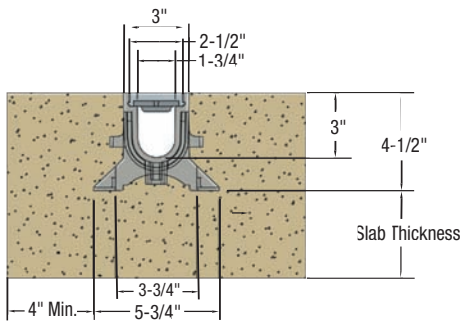


Bedding Feet



45° Connector Channel with Grate

Z880 Installation Specification



Z880 Features and Benefits

- 48" Modular Channel Sections with 24" Grates
- Durable and Lightweight
- 3" Trench Depth
- Prefabricated 45's and 90's
- Five Standard Colors – Gray, Brick Red, Blue, Sand, White
- Variety of Gratings
- Trench drain shall be Flo-Thru model Z880. For a complete engineering specification, visit www.zurn.com.

Z880 Available Colors



Gray



Brick Red



Blue




Sand



White

2-1/2" Wide System Grates

Grate Profile	Suffix	Description	Material	Length	Open Area (Sq. In./Ft.)
	AWG	Aluminum Wire Grate	Aluminum	24"	18.00
	BZ	Bronze Decorative	Bronze	24"	6.69
	POG	Plastic Decorative	HDPE	24"	6.69
	SOG	Stainless Decorative	Stainless Steel	24"	6.69
	SWG	Stainless Wire Grate	Stainless Steel	24"	18.00



Shower Floor



Shower Floor - 90° Corner