

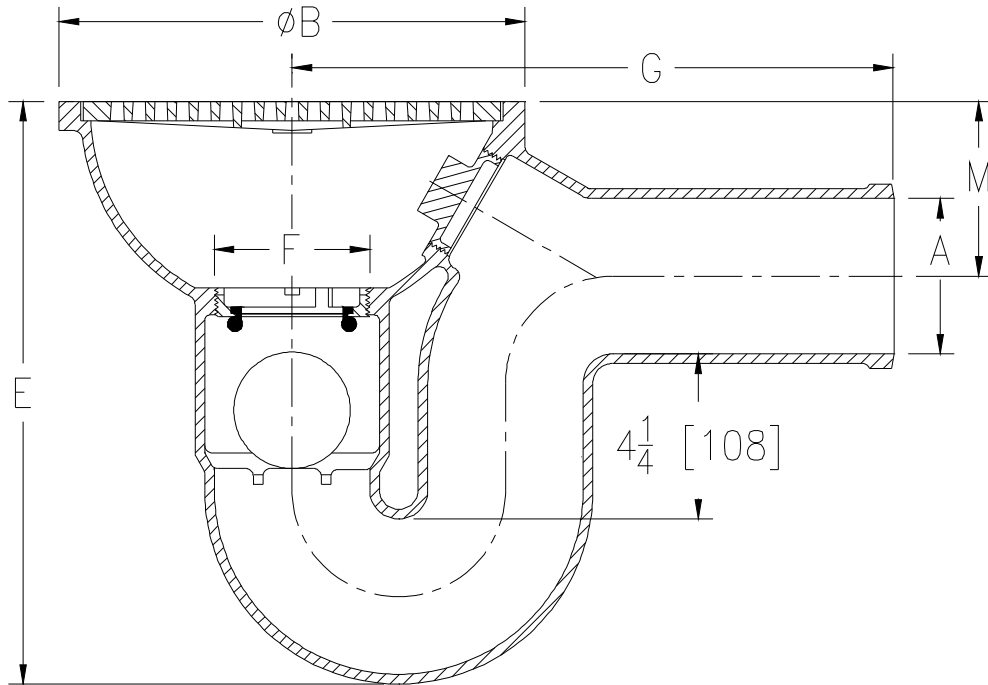


Z742 TRAP DRAIN, LIGHT-DUTY

SPECIFICATION SHEET

TAG _____

Dimensional Data (inches and [mm]) are Subject to Manufacturing Tolerances and Change Without Notice



		Dimensions In Inches			Approx. Wt. Lbs. [kg]	Grate Open Area Sq. In. [cm ²]
		B	G	M		
2 [51]	2 [51]	8-1/4 [210]	10-1/8 [257]	3-1/2 [89]	25 [11]	13 [84]
3 [76]	3-1/2 [89]	10-1/2 [267]	12-1/2 [318]	4 [102]	35 [16]	14 [90]
4 [102]	3-1/2 [89]	12 [305]	15-1/2 [394]	4-1/2 [114]	55 [25]	19 [123]

ENGINEERING SPECIFICATION ZURN
Z742 8, 10 or 12 [203, 254 or 305]
Diameter top drain, Dura-Coated cast iron body with integral double wall trap and side outlet, with ball float type backwater valve, internal bronze cleanout and light-duty loose slotted grate.

OPTIONS (Check/specify appropriate options)

PIPE SIZE

- 2 [51]
- 3 [76]
- 4 [102]

(Specify size/type) **OUTLET**

- _____ SP Spigot
- _____ SP Spigot
- _____ SP Spigot

'E' BODY HT. DIM.

- 10-3/4 [273]
- 12-3/4 [324]
- 15 [381]

PREFIXES

- _____ Z D.C.C.I. Body and Top*
- _____ ZB D.C.C.I. Body with Polished Bronze Top (Add 3/16 [5] to 'E' Dim.)
- _____ ZN D.C.C.I. Body with Polished Nickel Bronze Top (Add 3/16 [5] to 'E' Dim.)

SUFFIXES

- _____ -DG Duresist Grate
- _____ -G Galvanized Cast Iron
- _____ -LV (Less) Backwater Valve
- _____ -TS Top Secured with Slotted Screws
- _____ -VP Vandal-Proof Secured Top

REV. E	DATE: 11/8/10	C.N. NO. 120286
DWG. NO. 58960	PRODUCT NO. Z742	

*REGULARLY FURNISHED UNLESS OTHERWISE SPECIFIED