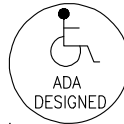


Z6930-XL

AquaSense Battery Powered Faucet



Engineering Specification

ADA compliant, battery powered, chrome plated sensor faucet for retrofit and new construction.

- Flow Rate
1.5 gpm Vandal Resistant Aerator
 - Occupant Detection
Infrared convergence-type proximity sensor
Thirty Second Time out feature
 - Spout module
Chrome Plated Cast Brass
 - Also Includes
In-line filter
4 "AA" batteries
Inlet for a 1/2"[13] ball riser
- * Option not compliant for -XL faucets

Flow Control Options

- F 0.5 gpm/1.9 Lpm Vandal-Resistant Non-Aerated
- J 1.5 gpm/ 5.7 Lpm Vandal-Resistant Laminar Flow
- K 1.0 gpm/ 3.8 Lpm Vandal-Resistant Laminar Flow
- L 1.0 gpm/ 3.8 Lpm Vandal-Resistant Aerator
- M 0.35 gpm/1.3 Lpm Vandal-Resistant Non-Aerated
- N 0.5 gpm/ 1.9 Lpm Vandal-Resistant Laminar Flow

Power Supply Choices (Sold Separately)

- ACA 6 VDC Plug-In Power Converter
- HW6 Hardwired Power Converter

Optional Power Supply Accessories

- CWB Connector Wire for Hardwire Install
- MJ Mini Junction Box

NOTE: For Hardwire applications furnish P6000-HW6 power converter. Order P6000-HW6 power converter seperately. The P6000-HW6 and P6000-MJ will power up to 8 sensor faucets.

Accessories

- 10S 10 sec. Timeout
[0.17 Gallons per cycle with 1.0gpm aerator]
- 60S 60 sec. Timeout
- ADM Above Deck Mixer *
- ADM-1 Above Deck Mixer w/4" Cover Plate *
- ADM-2 Above Deck Mixer w/8" Cover Plate *
- CP4 Cover Plate 4"[102] Centers
- CP8 Cover Plate 8"[203] Centers
- DSA Drug Screening Applications (Hardwired Applications)
- H4 Wrist Blade Handle for ADM *
- LP Line Purge 2 min/24 hr
- MT Mixing Tee *
- MV Temperature Mixing Valve
- SH Supply Hoses for Mixing Valve
- SSH Single Stainless Supply Hose (-XL)
- TMV Thermostatic Mixing Valve for Multiple Faucets
- TMV-1 Thermostatic Mixing Valve for Single Faucets
- XT No Timeout
- _____ Other

The information contained in this document is subject to change without notice.
Please contact Zurn for most up to date information.

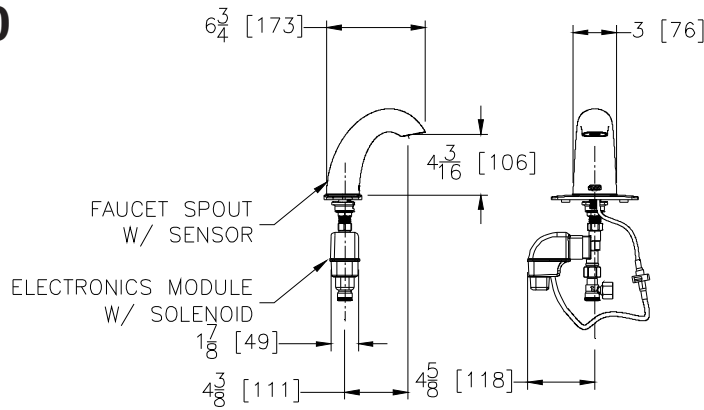
ZURN INDUSTRIES, LLC. ♦ COMMERCIAL BRASS OPERATION
5900 ELWIN BUCHANAN DRIVE ♦ SANFORD NC 27330
Phone: 1-800-997-3876 ♦ Fax: 919-775-3541
www.zurn.com
In Canada: ZURN INDUSTRIES LIMITED
3544 Nashua Drive ♦ Mississauga, Ontario L4V1L2
Phone: 905-405-8272 Fax: 905-405-1292

AquaSense® is a registered trademark of Zurn Industries, LLC.

Architectural/Engineering Approval

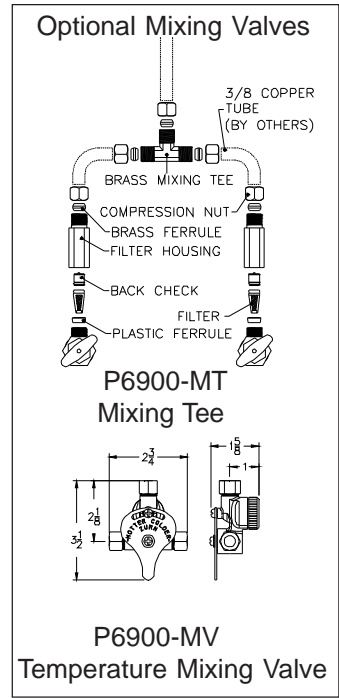
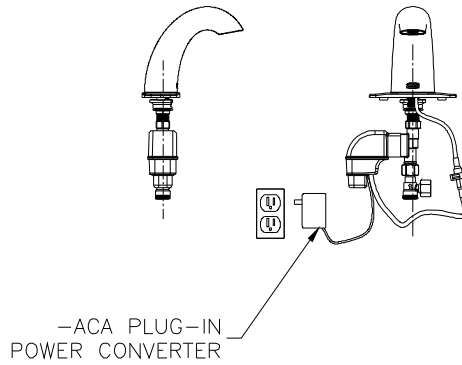
TYPICAL Z6930

**AquaSense Battery
Powered Faucet**



TYPICAL Z6930-ACA

**AquaSense Plug-In
Powered Faucet**



TYPICAL Z6930-CWB

**AquaSense Hardwire
Powered Faucet**

Optional:
* Optional -MJ mini junction box
for connecting up to 8 faucets

NOTE: MUST USE EITHER ZURN P6000-HW6 HARDWIRE POWER CONVERTER OR ZURN P6000-ACA PLUG-IN POWER CONVERTER TO ENSURE PROPER OPERATION. USING A POWER CONVERTER OTHER THAN ZURN MAY RESULT IN OPERATION MALFUNCTION OR UNIT FAILURE.

