

Z6915

AquaSense Battery Powered Faucet



Engineering Specification

ADA compliant, battery powered, chrome plated sensor faucet for retrofit and new construction.

- Flow Rate
 - 1.5 gpm Vandal Resistant Aerator
- Occupant Detection
 - Infrared convergence-type proximity sensor
 - Thirty Second Time out feature
- Spout module
 - Chrome Plated Cast Brass
- Also Includes
 - In-line filter
 - 4 "AA" batteries
 - Inlet for a 1/2"[13] ball riser
 - Single supply hose

* Option not available for -XL faucets

Flow Control Options

- F 0.5 gpm/1.9 Lpm Vandal-Resistant Non-Aerated
- J 1.5 gpm/ 5.7 Lpm Vandal-Resistant Laminar Flow
- K 1.0 gpm/ 3.8 Lpm Vandal-Resistant Laminar Flow
- L 1.0 gpm/ 3.8 Lpm Vandal-Resistant Aerator
- M 0.35 gpm/1.3 Lpm Vandal-Resistant Non-Aerated

Power Supply Choices (Sold Separately)

- ACA 6 VDC Plug-In Power Converter
- HW6 Hardwired Power Converter

Optional Power Supply Accessories

- CWB Connector Wire for Hardwire Install
- MJ Mini Junction Box

NOTE: For Hardwire applications furnish P6000-HW6 power converter. Order P6000-HW6 power converter separately.

The P6000-HW6 and P6000-MJ will power up to 8 sensor faucets.

Accessories

- ADM Above Deck Mixer *
- CG CareGuard Aerator
- DSA Drug Screening Applications
- H4 Wrist Blade Handle for ADM *
- MT Mixing Tee *
- MV Temperature Mixing Valve
- SH Supply Hoses for Mixing Valve
- TMV Thermostatic Mixing Valve for Multiple Faucets
- TMV-1 Thermostatic Mixing Valve for Single Faucets
- _____ Other

Careguard currently only available with -E, 1.5 Vandal Resistant Laminar Aerator.

- XL *Zurn Lead Compliant products (-XL) are manufactured to comply with state laws and local codes that mandate lead content levels less than one quarter of one percent (0.25%) total lead content by weighted average.*

Architectural/Engineering Approval

ZURN INDUSTRIES, LLC. ♦ COMMERCIAL BRASS OPERATION
5900 ELWIN BUCHANAN DRIVE ♦ SANFORD NC 27330
Phone: 1-800-997-3876 ♦ Fax: 919-775-3541
www.zurn.com
In Canada: ZURN INDUSTRIES LIMITED
3544 Nashua Drive ♦ Mississauga, Ontario L4V1L2
Phone: 905-405-8272 Fax: 905-405-1292

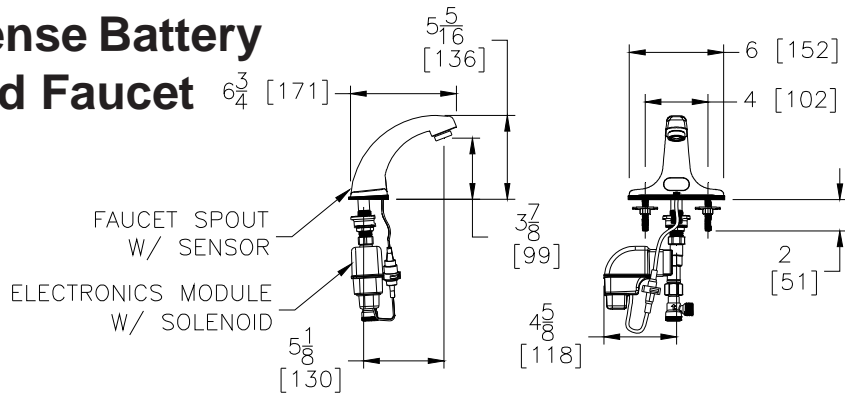
AquaSense® is a registered trademark of Zurn Industries, LLC.

Rev. J
Dwg. No. 80689

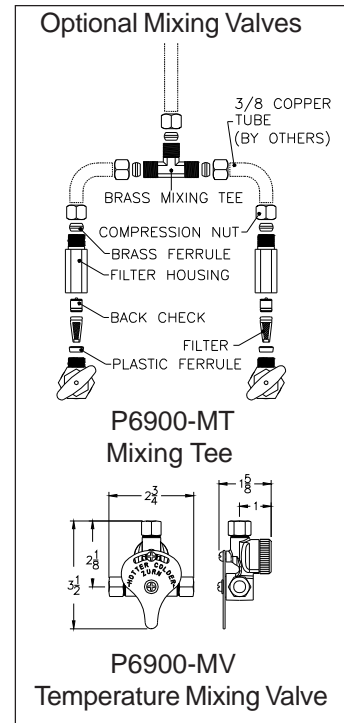
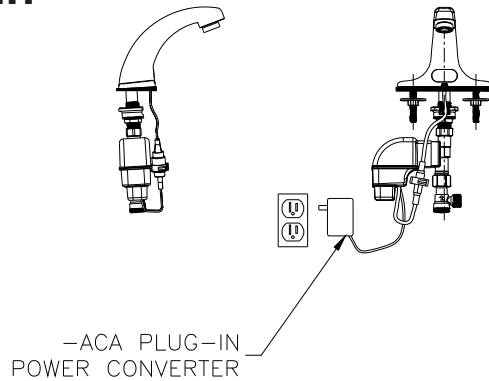
Date: 4/18/11
Product No. Z6915

The information contained in this document is subject to change without notice.
Please contact Zurn for most up to date information.

TYPICAL Z6915 AquaSense Battery Powered Faucet

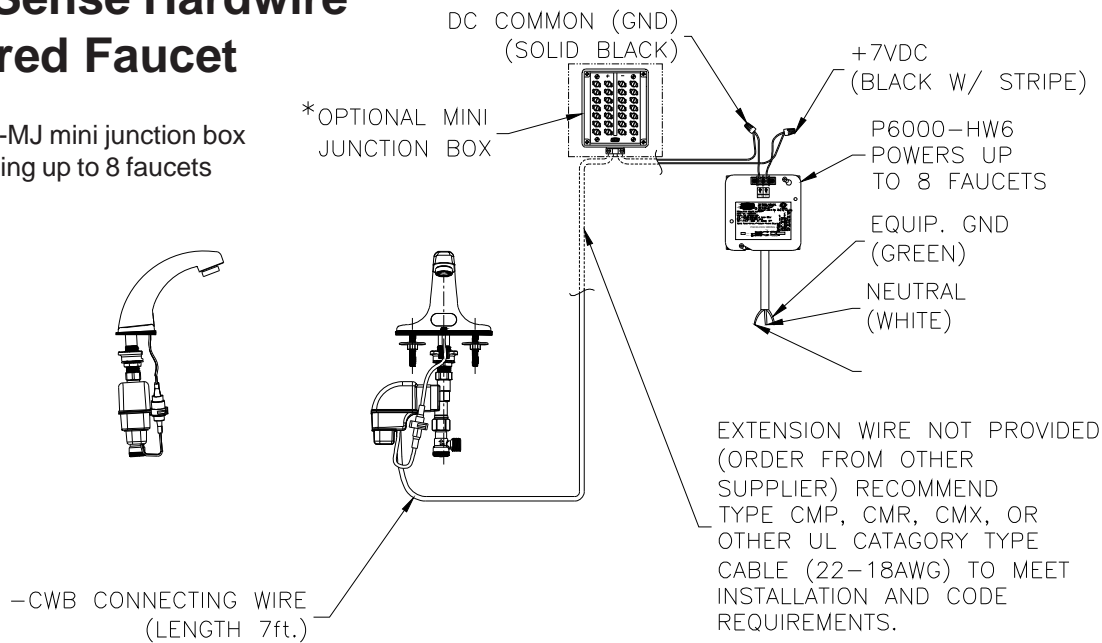


TYPICAL Z6915-ACA AquaSense Plug-In Powered Faucet



TYPICAL Z6915-CWB AquaSense Hardwire Powered Faucet

Optional:
 * Optional -MJ mini junction box for connecting up to 8 faucets



NOTE: MUST USE EITHER ZURN P6000-HW6 HARDWIRE POWER CONVERTER OR ZURN P6000-PC6 PLUG-IN POWER CONVERTER TO ENSURE PROPER OPERATION. USING A POWER CONVERTER OTHER THAN ZURN MAY RESULT IN OPERATION MALFUNCTION OR UNIT FAILURE.