



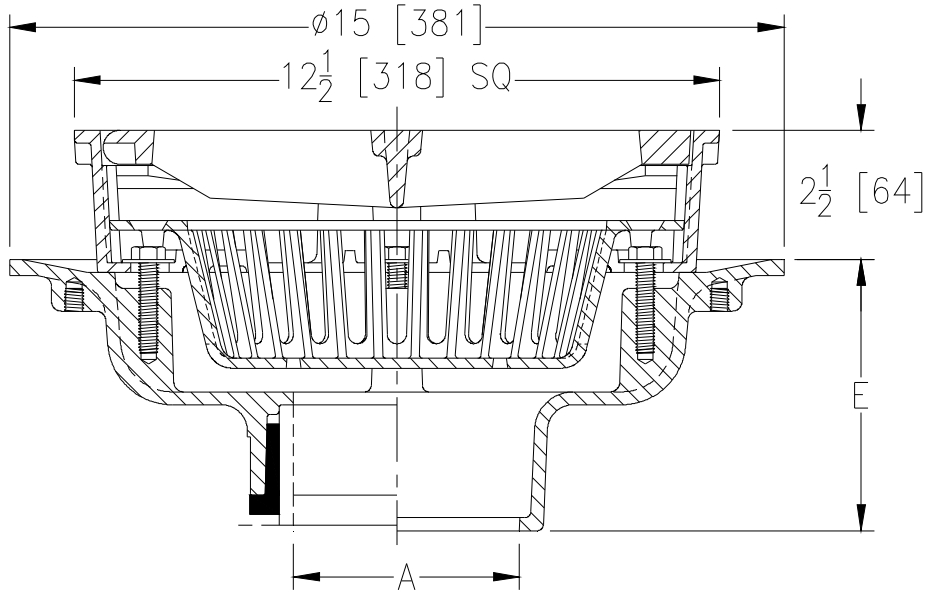
Z610

12 [305] HEAVY-DUTY DRAIN

SPECIFICATION SHEET

TAG _____

Dimensional Data (inches and [mm]) are Subject to Manufacturing Tolerances and Change Without Notice



A Pipe Size	Approx. Wt. Lbs. [kg]	Grate Open Area Sq. In. [cm ²]
2-3-4-5-6 [51-76-102-127-152]	54 [24]	42 [271]
8-10 [203-254]	56 [25]	

ENGINEERING SPECIFICATION: ZURN Z610
 12 [305] Square top drain, Dura-Coated cast iron body with bottom outlet, seepage pan and combination membrane flashing clamp and frame for heavy-duty cast iron loose slotted grate, with suspended polypropylene sediment bucket.

OPTIONS (Check/specify appropriate options)

PIPE SIZE

- 2 thru 6, 8, 10 [51 thru 152, 203, 254]
- 2 thru 4, 6 [51 thru 102, 152]
- 2 thru 6, 8, 10 [51 thru 152, 203, 254]
- 2 thru 6, 8, 10 [51 thru 152, 203, 254]
- 2 thru 4 [51 thru 102]

(Specify size/type) **OUTLET**

- ___ IC Inside Caulk
- ___ IG Inside Gasket
- ___ IP Threaded
- ___ NH No-Hub
- ___ NL Neo-Loc

'E' BODY HT. DIM.

- 5-1/4 [133]
- 5-1/4 [133]
- 3-3/4 [95]
- 5-1/4 [133]
- 4-5/8 [117]

PREFIXES

- ___ Z D.C.C.I. Body and Top*
- ___ ZB D.C.C.I Body w/Polished Bronze Top (Add 3/16 [5] to 2-1/2 [64] Dim. and 3/4 [19] to 12-1/2 [318] Dim.)
- ___ ZN D.C.C.I Body w/Polished Nickel Bronze Top (Add 3/16 [5] to 2-1/2 [64] Dim. and 3/4 [19] to 12-1/2 [318] Dim.)

SUFFIXES

- | | |
|--|---|
| <ul style="list-style-type: none"> ___ -AR Acid Resistant Epoxy Coated Cast Iron ___ -DG Duresist Grate ___ -DS Ductile Iron Solid Cover ___ -DX Dex-o-tex Flange (ZB, ZN Only) ___ -F 2 [51] High Extension ___ -G Galvanized Cast Iron ___ -H Hinged Grate ___ -HC Hinged Solid Cover ___ -HL Hinged Locking Grate ___ -HLC Hinged Locking Cover ___ -LY (Less) Sediment Bucket ___ -P Trap Primer Connection ___ -S Secondary Strainer | <ul style="list-style-type: none"> ___ -SC Solid Cover ___ -SS Stainless Steel Mesh Liner for Bucket ___ -TC Neo-Loc Test Cap Gasket
(2 [51] - 4 [102] NL Bottom Outlet Only) ___ -TS Top Secured with Slotted Screws ___ -V Backwater Valve (See Z1099) ___ -VP Vandal-Proof Secured Top ___ -YA Aluminum Sediment Bucket ___ -YC Cast Iron Sediment Bucket ___ -90 90° Threaded Side Outlet Body |
|--|---|

*REGULARLY FURNISHED UNLESS OTHERWISE SPECIFIED

REV. G	DATE: 11/10/10	C.N. NO. 120320
DWG. NO. 59240		PRODUCT NO. Z610