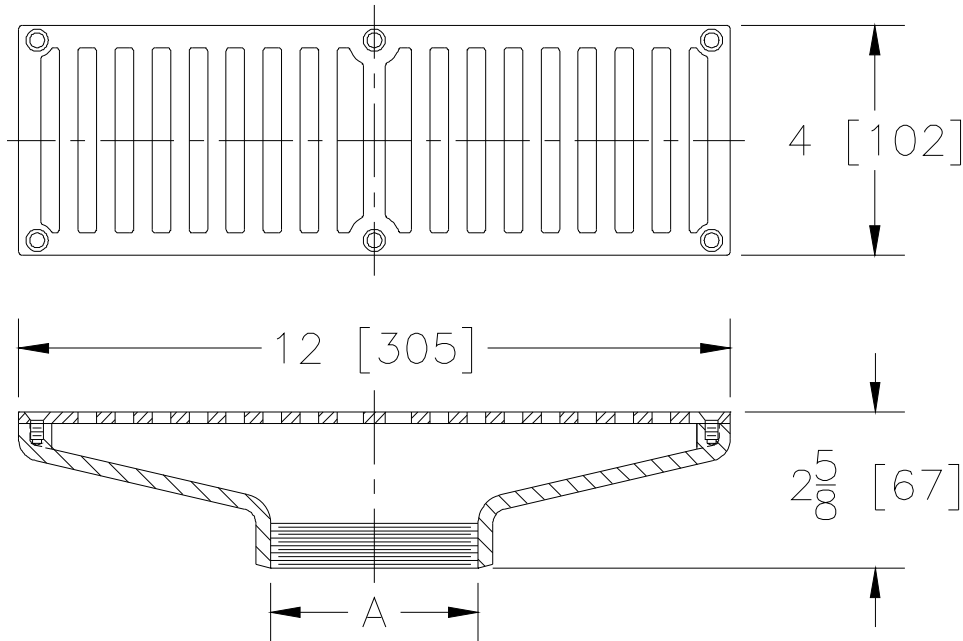




**Z574**  
**4 X 12 [102 X 305]**  
**GUTTER DRAIN**

TAG \_\_\_\_\_

Dimensional Data (inches and [ mm ]) are Subject to Manufacturing Tolerances and Change Without Notice



A Pipe Size In. [mm]	Approx. Wt. Lbs. [kg]	Grate Open Area Sq. In. [cm <sup>2</sup> ]
3 [76]	8 [4]	18 [116]

**ENGINEERING SPECIFICATION:** ZURN ZN574 4 x 12 [102 x 305] Rectangular top gutter drain, Dura-Coated cast iron body with bottom outlet and polished secured nickel bronze grate.

**OPTIONS** (Check/specify appropriate options)

**PIPE SIZE**

(Specify size/type) **OUTLET**

3 [76]

\_\_\_\_ IP Threaded

**PREFIXES**

- \_\_\_\_ ZB D.C.C.I. Body with Polished Bronze Top
- \_\_\_\_ ZN D.C.C.I. Body with Polished Nickel Bronze Top\*

**SUFFIXES**

- \_\_\_\_ -G Galvanized Cast Iron
- \_\_\_\_ -VP Vandal-Proof Secured Top

REV. D	DATE: 11/10/10	C.N. NO. 120354
DWG. NO. 58955	PRODUCT NO. Z574	

\*REGULARLY FURNISHED UNLESS OTHERWISE SPECIFIED