



Z5730

TAG _____

1.0 gpf Top Spud Siphon Jet Urinal



Z5730 Series

Z5730 Series

- 1.0 gpf (gallons per flush)
- Vitreous china
- Siphon Jet Action
- 4 1/8" Back Outlet Rough-in
- 3/4" top spud
- 2" I.P.S. outlet flange and rubber gasket with integral trap
- Shipping Weight: 39 lbs.

Engineering Specification:

Z5730 with Top Spud

Vitreous china, 1.0 gpf [3.8 Lpf] siphon jet urinal with 3/4" top spud and concealed wall hanger bracket.

Recommended Trim:

- Z6003AV-WS1** AquaVantage® AV 1.0 gpf low consumption exposed urinal flush valve.

These dimensions and specifications are subject to change without notice.

Fixture dimensions meet ANSI/ASME standard A112.19.2 and CAN/CSA B45 requirements.

ZURN INDUSTRIES, LLC. ♦ COMMERCIAL BRASS OPERATION
5900 ELWIN BUCHANAN DRIVE ♦ SANFORD NC 27330
Phone: 1-800-997-3876 ♦ Fax: 919-775-3541
www.zurn.com

In Canada: ZURN INDUSTRIES LIMITED
3544 Nashua Drive ♦ Mississauga, Ontario L4V1L2
Phone: 905-405-8272 Fax: 905-405-1292

AquaVantage® is a registered trademark of Zurn Industries, LLC.

Architectural/Engineering Approval

See Zurn One Systems for suggested packages.

The information contained in this document is subject to change without notice.
Please contact Zurn for most up to date information.

Rev. F
Dwg. No. 80611

Date: 2/20/13
Product No. Z5730

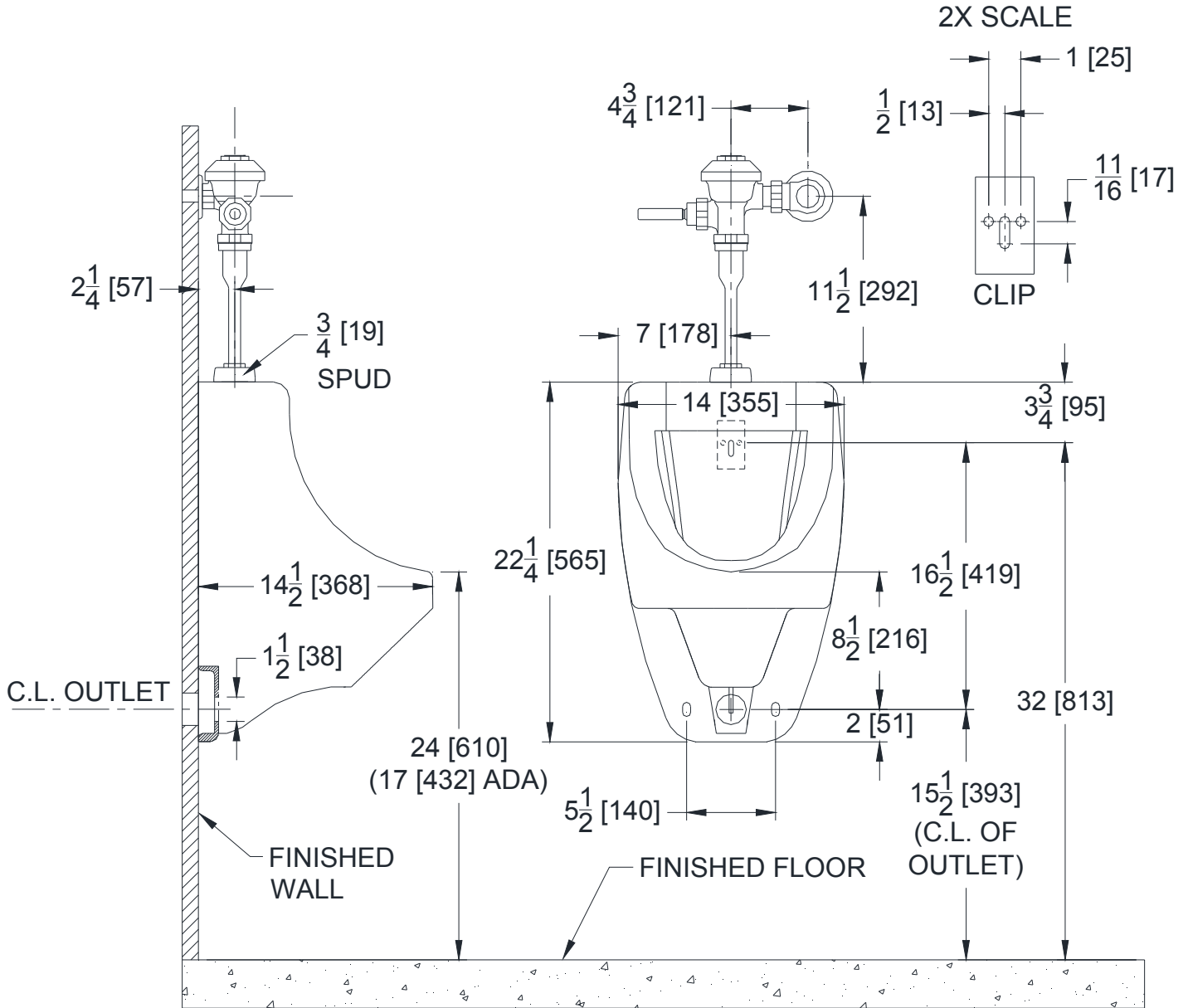


Z5730

TAG _____

1.0 gpf Top Spud Siphon Jet Urinal

Rough-in dimensions for Z5730 Series



NOTE: Rough-in for concealed plate carrier, see Zurn Z1222 Rough-in sheet.

These dimensions and specifications are subject to change without notice.

Fixture dimensions meet ANSI/ASME standard A112.19.2 and CAN/CSA B45 requirements.

Meets the American Disabilities Guidelines and ANSI A117.1 requirements. when urinal is installed 17" (432mm) from finished floor.



ZURN INDUSTRIES, LLC. ♦ COMMERCIAL BRASS OPERATION
 5900 ELWIN BUCHANAN DRIVE ♦ SANFORD NC 27330
 Phone: 1-800-997-3876 ♦ Fax: 919-775-3541
 www.zurn.com
 In Canada: ZURN INDUSTRIES LIMITED
 3544 Nashua Drive ♦ Mississauga, Ontario L4V1L2
 Phone: 905-405-8272 Fax: 905-405-1292

AquaVantage® is a registered trademark of Zurn Industries, LLC.

Rev. F
Dwg. No. 80611

Date: 2/20/13
Product No. Z5730