



Z5665-BWL

HET Elongated Floor Mounted, ADA Height EcoVantage Flush Valve Toilet System TAG _____



Z5665 Series Elongated

Recommended Trim:

Z5955SS-EL Elongated, standard white, open front toilet seat less cover with stainless steel check hinge.

Z5972-COMB Closet bolt/wax ring kit

Note: To ensure system performance:
Minimum Running Water Pressure = 25 psi.

These dimensions and specifications are subject to change without notice.

Fixture dimensions meet ANSI/ASME standard A112.19.2 and CAN/CSA B45 requirements.

Meets the American Disabilities Guidelines and ANSI A117.1 requirements when installed according to these requirements.



EcoVantage® is a registered trademark of Zurn Industries

See Zurn One Systems for suggested packages.

ZURN INDUSTRIES, LLC. ♦ COMMERCIAL BRASS OPERATION ♦ 5900 ELWIN BUCHANAN DRIVE ♦ SANFORD NC 27330

Phone: 1-800-997-3876 ♦ Fax: 919-775-3541 ♦ World Wide Web: www.zurn.com

In Canada: ZURN INDUSTRIES LIMITED ♦ 3544 Nashua Drive ♦ Mississauga, Ontario L4V1L2 ♦ Phone: 905-405-8272 Fax: 905-405-1292

Z5665 HET Series

- Zurn HET Toilet System designed for optimal performance between Zurn fixture and Zurn flush valve at 1.28 gpf (4.8 Lpf), 1.6 gpf (6.0 Lpf) or Dual Flush volumes to save water.
- 1.28 gpf (4.8 lpf) or 1.6 gpf (6.0 lpf) or Dual Flush
- 1.28 gpf offers 20% water savings over 1.6 gpf system
- Vitreous china
- ADA height
- Elongated front rim
- 2 1/8" fully glazed trapway
- High efficiency siphon jet flush action
- Shipping Weight: 57 lbs.

Engineering Specification

Z5665-BWL

EcoVantage High Efficiency Toilet System

- Vitreous China, 1.28 gpf [4.8 lpf] or greater high efficiency, ADA, floor mounted bottom outlet toilet with siphon jet flushing action and elongated front rim with 1-1/2" top spud. This bowl is designed to perform to industry standards with as little as 1.28 gallons per flush, engineered to provide optimal performance and 20% water savings over conventional 1.6 gpf toilets.

***Replaces Zurn Z5660**

Z5666-BWL

EcoVantage High Efficiency Toilet System

- Vitreous China, 1.28 gpf [4.8 lpf] or greater high efficiency, ADA, floor mounted bottom outlet toilet with siphon jet flushing action and elongated front rim with integral bedpan lugs, and 1-1/2" top spud. This bowl is designed to perform to industry standards with as little as 1.28 gallons per flush, engineered to provide optimal performance and 20% water savings over conventional 1.6 gpf toilets.

***Replaces Zurn Z5661**

This space is for Architectural/Engineering Approval



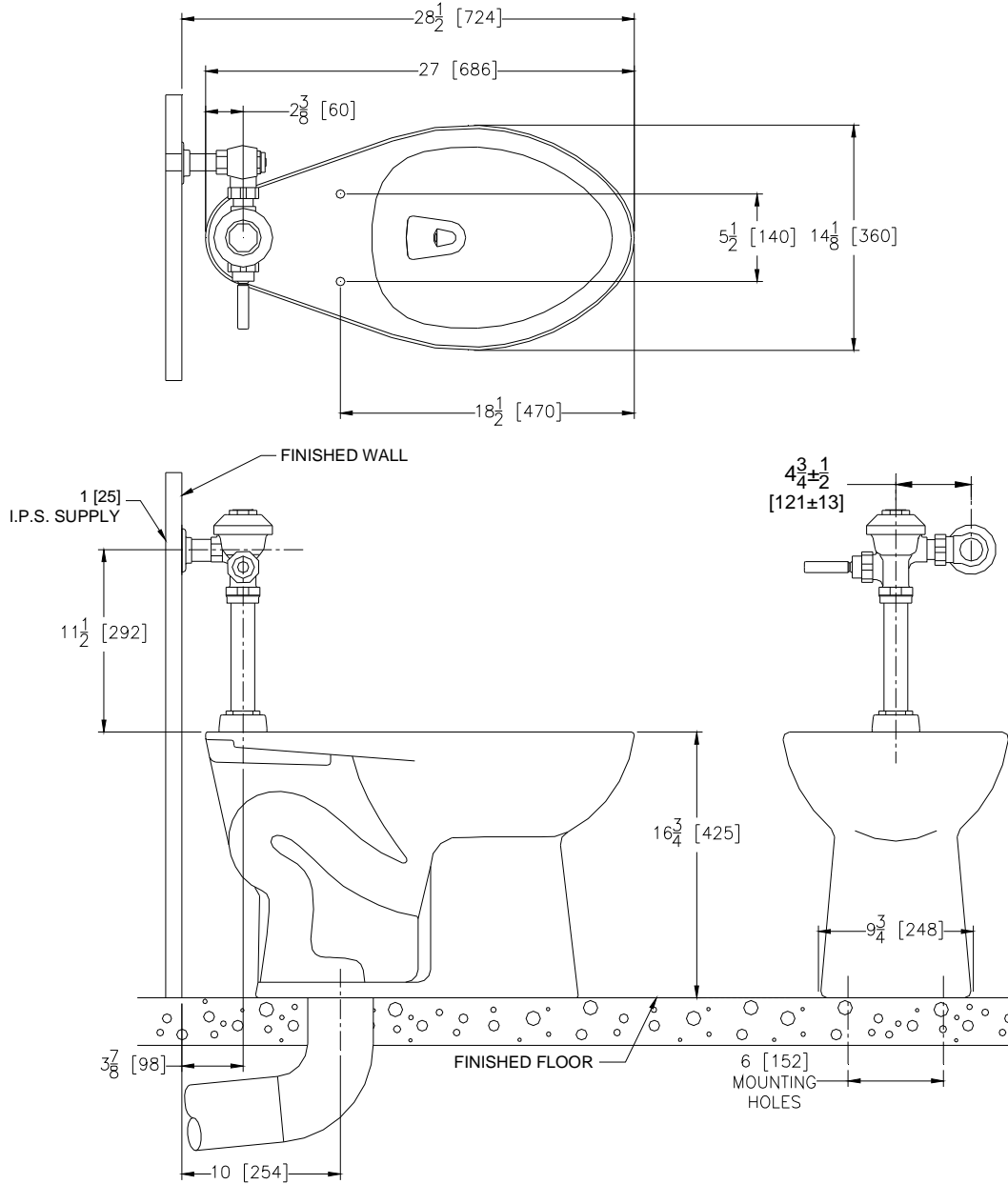
Z5665-BWL

HET Elongated Floor Mounted, ADA
Height EcoVantage Flush Valve Toilet
System Rough-in

TAG _____

Rough-in dimensions for Z5665 Series

• Z5665 with top spud, shown with Z6000AV-HET valve



These dimensions and specifications are subject to change without notice.

Fixture dimensions meet ANSI/ASME standard A112.19.2 and CAN/CSA B45 requirements.

Meets the American Disabilities Guidelines and ANSI A117.1 requirements when installed according to these requirements.



EcoVantage® is a registered trademark of Zurn Industries

ZURN INDUSTRIES, LLC. ♦ COMMERCIAL BRASS OPERATION ♦ 5900 ELWIN BUCHANAN DRIVE ♦ SANFORD NC 27330

Phone: 1-800-997-3876 ♦ Fax: 919-775-3541 ♦ World Wide Web: www.zurn.com

In Canada: ZURN INDUSTRIES LIMITED ♦ 3544 Nashua Drive ♦ Mississauga, Ontario L4V1L2 ♦ Phone: 905-405-8272 Fax: 905-405-1292