

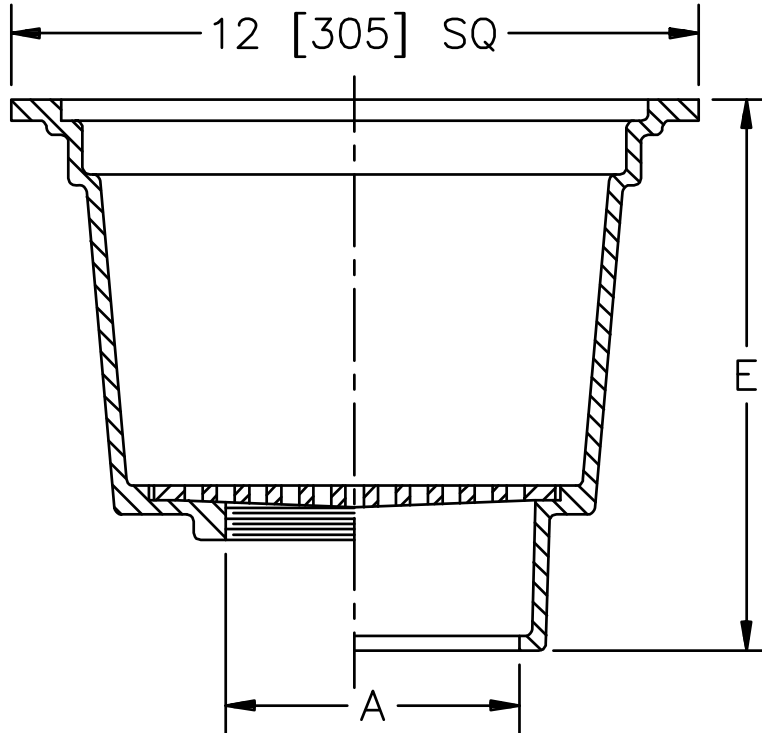


Z566

12 [305] SQUARE OPEN TOP DRAIN

TAG _____

Dimensional Data (inches and [mm]) are Subject to Manufacturing Tolerances and Change Without Notice



A - Pipe Size Inches [mm]	Approx. Wt. Lbs. [kg]
2-3-4 [51-76-102]	42 [19]

ENGINEERING SPECIFICATION: ZURN Z566 12 [305] Square open top drain, Dura-Coated cast iron body with bottom outlet and loose set cast iron secondary strainer.

OPTIONS (Check/specify appropriate options)

PIPE SIZE

2, 3, 4 [51, 76, 102]
 2, 3, 4 [51, 76, 102]
 3, 4 [76, 102]
 2, 3, 4 [51, 76, 102]

(Specify size/type) **OUTLET**

___ IC Inside Caulk
 ___ IG Inside Gasket
 ___ IP Threaded
 ___ NL Neo-Loc

'E' BODY HT. DIM.

9-5/8 [244]
 9-5/8 [244]
 7-5/8 [194]
 9 [229]

PREFIXES

___ Z D.C.C.I. Body and Top*
 ___ ZB D.C.C.I. Body with Polished Bronze Top (Add 3/16 [5] to 'E' Dim.)
 ___ ZN D.C.C.I. Body with Polished Nickel Bronze Top (Add 3/16 [5] to 'E' Dim.)

SUFFIXES

___ -AR Acid Resisting Epoxy Coated Cast Iron
 ___ -BT Bell Trap Bucket
 ___ -G Galvanized Cast Iron
 ___ -GT Top Grate
 ___ -TC Neo-Loc Test Cap Gasket
 (2 [51] - 4 [102] NL Bottom Outlet Only)
 ___ -Y Sediment Bucket

REV. E DATE: 11/09/10 C.N. NO. 120350

DWG. NO. 58951 PRODUCT NO. Z566

*REGULARLY FURNISHED UNLESS OTHERWISE SPECIFIED

ZURN INDUSTRIES, LLC. ♦ SPECIFICATION DRAINAGE OPERATION ♦ 1801 Pittsburgh Ave. ♦ Erie, PA 16514

Phone: 814/455-0921 ♦ Fax: 814/454-7929 ♦ World Wide Web: www.zurn.com

In Canada: ZURN INDUSTRIES LIMITED ♦ 3544 Nashua Drive ♦ Mississauga, Ontario L4V1L2 ♦ Phone: 905/405-8272 Fax: 905/405-1292