

Z5640 1.6 gpf ADA, Elongated, Floor Mounted, Back Outlet Flush Valve Toilet

Z5640 Series

- 1.6 gpf [6 Lpf]
- Vitreous china
- Elongated front rim, 17" high, ADA compliant
- Back outlet rough-in
- Siphon jet flush action
- 1-1/2" top spud
- Includes bolt caps
- Shipping Weight: 60 lbs.

Engineering Specification

- Z5640 with Top Spud**
Vitreous china, elongated front rim, 1.6 gpf [6 Lpf] low consumption, siphon jet flush action, ADA height floor mounted, back outlet flush valve toilet with 1-1/2" top spud.
- Z5641 with Top Spud and Bedpan Lugs**
Vitreous china, 1.6 gpf [6 Lpf] low consumption, siphon jet action, ADA height floor mounted, back outlet flush valve toilet with 1-1/2" top spud and elongated front rim with bedpan lugs.

Recommended Trim

- Z6000AV-WS1** AquaVantage® AV low consumption 1.6 gpf exposed closet flush valve.
- Z5955SS-EL** Elongated, standard white, open front toilet seat less cover with stainless steel check hinge.



Z5640 1.6 gpf ADA height, elongated, floor mounted, back outlet flush valve water closet shown with Z5955SS-EL toilet seat and Z6000AV-WS1 flush valve (sold separately).

Optional Water-Savings Trim

- Z6000AV-DF-WS1** AquaVantage® AV dual flush water-conserving exposed closet flush valve (estimated 30% potential water savings).



Fixtures meet ASME A112.19.2 and CSA B45 standard requirements.

 Meets the American Disabilities Guidelines and ANSI A117.1 requirements.

See Zurn One Systems for suggested packages.

This Space is for Architectural/Engineering Approval



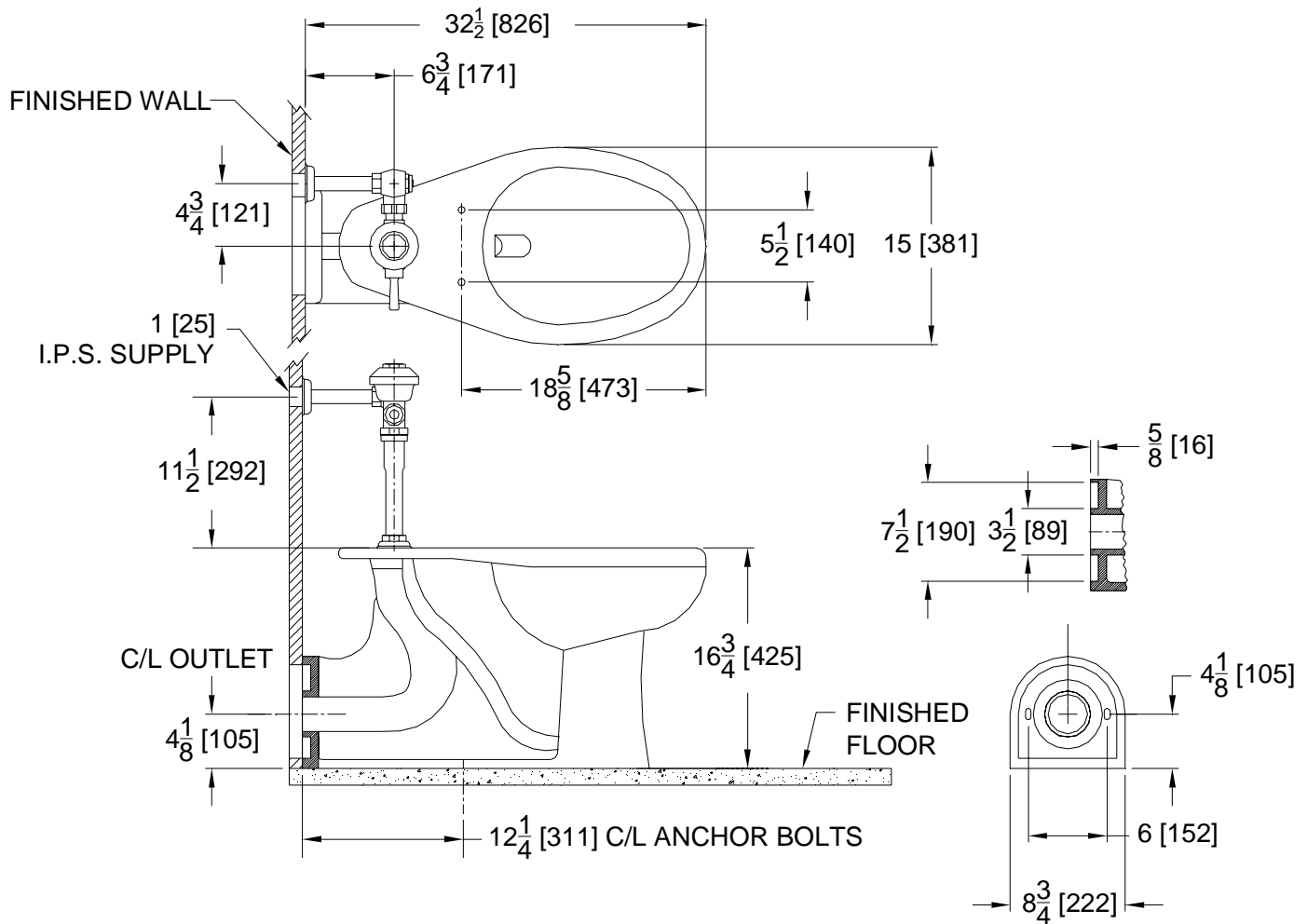
Z5640

1.6 GPF ADA, Elongated, Floor Mounted, Back Outlet Flush Valve Toilet Rough-In

TAG _____

Rough-in dimensions for Z5640 Series

- Z5640 with top spud
- Z5641 with top spud and bedpan lugs



These dimensions and specifications are subject to change without notice.

Fixture dimensions meet ANSI/ASME standard A112.19.2-2003 and CAN/CSA B45 requirements.

Meets the American Disabilities Guidelines and ANSI A117.1 requirements.



Zurn Plumbing Products Group Commercial Brass and Fixtures Operation

2640 South Work Street · Falconer, NY 14733 · Phone: 716-665-1132 · Fax: 716-665-1135 · www.zurn.com