



# Z5615-BWL

## HET Elongated Wall Hung EcoVantage® Flush Valve Toilet System TAG \_\_\_\_\_



Z5615 Series Elongated

### Suffix Options:

- RF Retro-Fit Nut Kit for extending carrier studs from existing wall.

### Recommended Trim:

- Z5955SS-EL** Elongated, standard white, open front toilet seat less cover with stainless steel check hinge.

**Note:** To ensure system performance:  
Minimum Running Water Pressure = 25 psi.

*These dimensions and specifications are subject to change without notice.*

*Fixture dimensions meet ANSI/ASME standard A112.19.2 and CAN/CSA B45 requirements.*

*Meets the American Disabilities Guidelines and ANSI A117.1 requirements when installed according to these requirements.*



EcoVantage® is a registered trademark of Zurn Industries

ZURN INDUSTRIES, LLC. ♦ COMMERCIAL BRASS OPERATION  
5900 ELWIN BUCHANAN DRIVE ♦ SANFORD NC 27330  
PHONE: 1-800-997-3876 ♦ FAX: 919-775-3541  
WWW.ZURN.COM

IN CANADA: ZURN INDUSTRIES LIMITED  
3544 NASHUA DRIVE ♦ MISSISSAUGA, ONTARIO L4V1L2  
PHONE: 905-405-8272 FAX: 905-405-1292

### Z5615 HET Series

- Zurn High Efficiency Toilets and paired performance flush valve systems are designed to exceed industry standards, while using as little as 1.1 gallons of water per flush.
- Universal high efficiency toilet can be specified with 1.28 gpf [4.8Lpf], 1.6 gpf [6.0 Lpf] or dual flush valves.
- Vitreous china
- Elongated front rim
- 2-1/8" fully glazed trapway
- High efficiency siphon jet flush action
- Shipping Weight: 40 lbs.

### Engineering Specification

#### Z5615-BWL

#### EcoVantage High Efficiency Toilet System

- Vitreous China, 1.1 gpf [4.2 Lpf] or greater high efficiency wall hung toilet with siphon jet flushing action and elongated front rim with 1-1/2" top spud. Universal high efficiency toilet is designed to exceed industry standards with flush volumes of 1.1 gallons per flush or higher.

**\*Replaces Zurn Z5610**

#### Z5616-BWL

#### EcoVantage High Efficiency Toilet System

- Vitreous China, 1.1 gpf [4.2 Lpf] or greater high efficiency wall hung toilet with siphon jet flushing action and elongated front rim with integral bedpan lugs and 1-1/2" top spud. Universal high efficiency toilet is designed to exceed industry standards with flush volumes of 1.1 gallons per flush or higher.

**\*Replaces Zurn Z5611**

Architectural/Engineering Approval
------------------------------------

See Zurn One Systems for suggested packages.

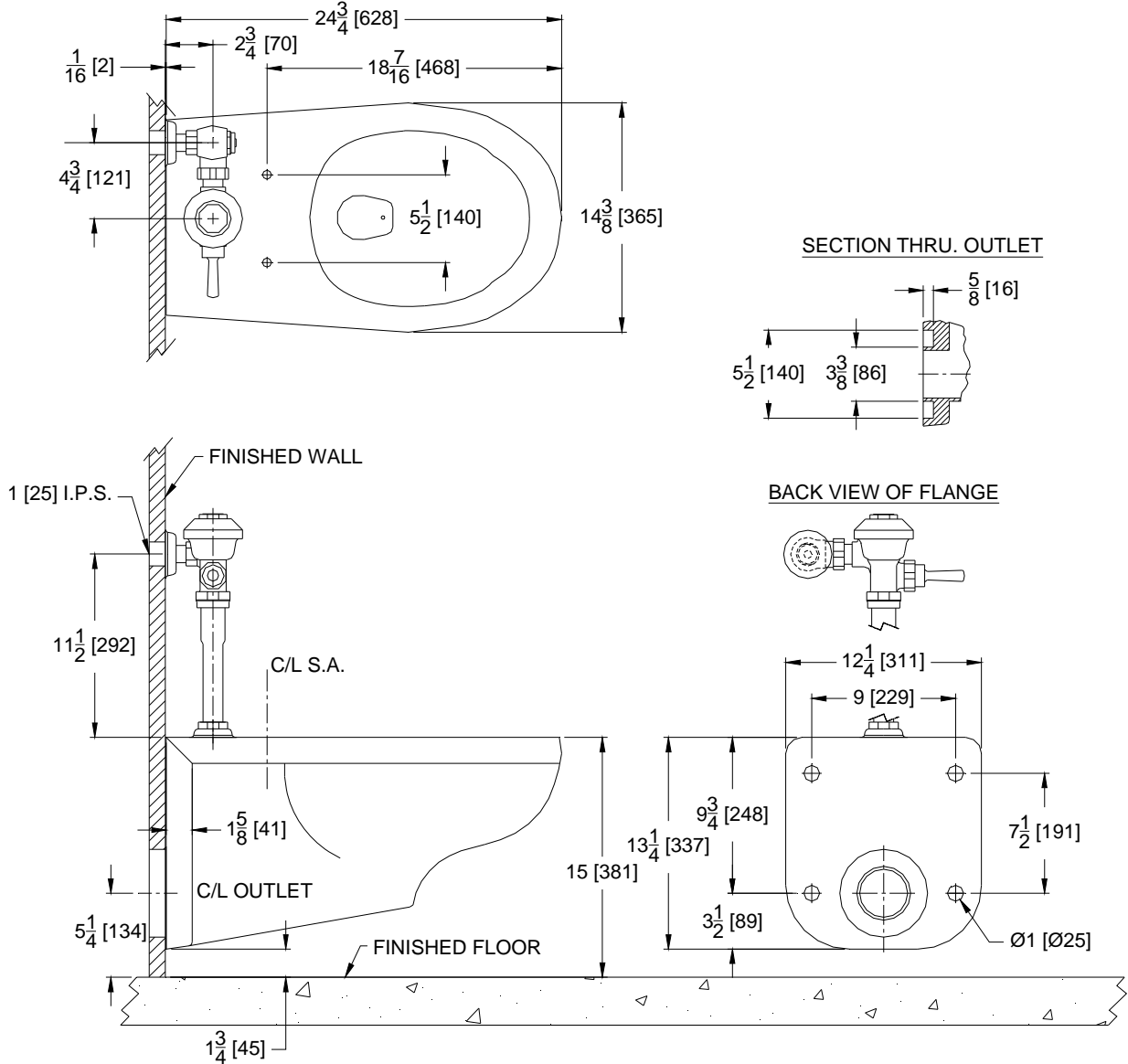


# Z5615-BWL

## HET Elongated Wall Hung EcoVantage® Flush Valve Toilet System TAG \_\_\_\_\_

Rough-in dimensions for Z5615 Series

- Z5615-BWL with top spud, shown with Z6000AV manual valve



These dimensions and specifications are subject to change without notice.

Fixture dimensions meet ANSI/ASME standard A112.19.2 and CAN/CSA B45 requirements.

**Note:** For ADA compliance, rim height should be installed 17" from finished floor.

Meets the American Disabilities Guidelines and ANSI A117.1 requirements when installed according to these requirements.

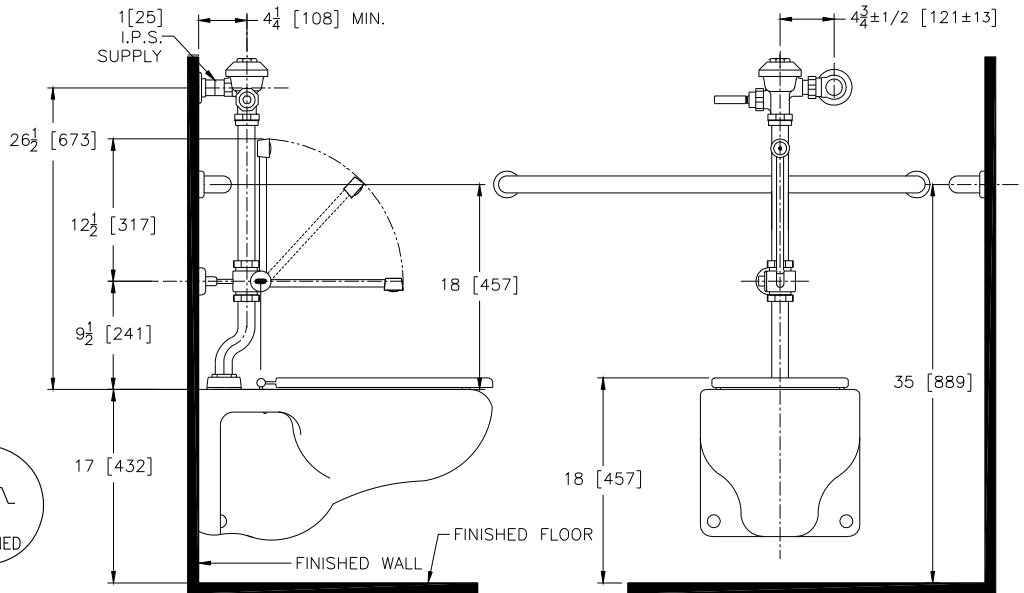


ZURN INDUSTRIES, LLC. ♦ COMMERCIAL BRASS OPERATION  
 5900 ELWIN BUCHANAN DRIVE ♦ SANFORD NC 27330  
 PHONE: 1-800-997-3876 ♦ FAX: 919-775-3541  
 WWW.ZURN.COM  
 IN CANADA: ZURN INDUSTRIES LIMITED  
 3544 NASHUA DRIVE ♦ MISSISSAUGA, ONTARIO L4V1L2  
 PHONE: 905-405-8272 FAX: 905-405-1292

EcoVantage® is a registered trademark of Zurn Industries



## Exposed Z6011AV-BWN Model with Bedpan Washer for Water Closets for Handicap Grab Bar Applications



### Flow Options

- |                          |                       |                          |
|--------------------------|-----------------------|--------------------------|
| <input type="checkbox"/> | <b>-WS1</b>           | 1.6 Gal. Low Consumption |
| <input type="checkbox"/> | <b>-FF</b>            | 4.5 Gal. Full Flush      |
| <input type="checkbox"/> | <b>Standard Flush</b> | 3.5 Gallons Per Flush    |

### Suffix Options (Check/Specify Appropriate Options)

- |       |             |                                  |
|-------|-------------|----------------------------------|
| _____ | <b>-BG</b>  | BioCare ADA Handle               |
| _____ | <b>-BG2</b> | BioCare ADA Handle and Spray Arm |
| _____ | <b>-DF</b>  | Dual Flush Handle                |
| _____ | <b>-H</b>   | Handle on Front of Flush Valve   |
| _____ | <b>-L</b>   | 1" [25] Metal Push Button        |
| _____ | <b>-L3</b>  | 3" [76] Metal Push Button        |
| _____ | <b>-YJ</b>  | Split Ring Pipe Support          |
| _____ | <b>-YK</b>  | Solid Ring Pipe Support          |
| _____ |             | Other                            |

**ENGINEERING SPECIFICATION: ZURN Z6011AV-BWN AquaVantage® 'AV' Exposed Closet Flush Valve with Bedpan Washer for Handicap Grab Bar Applications-** Exposed, quiet diaphragm-type, chrome plated, flushometer valve with a polished exterior. Complete with Zurn's AquaVantage® TPE, chloramine resistant, dual seal diaphragm with a clog resistant, triple filtered by-pass. The valve is ADA compliant with a non-hold open and no leak handle feature, bedpan washer assembly with offset flush tube, wall bracket and support rod, high back pressure vacuum breaker, one piece hex coupling nut, adjustable tailpiece, spud coupling and flange for top spud connection. Control stop has internal siphon-guard protection, vandal resistant stop cap, sweat solder kit, and a cast wall flange with set screw. Internal seals are made of chloramine resistant materials.

This space is for Architectural/engineering Approval

ZURN INDUSTRIES, INC. ♦ COMMERCIAL BRASS OPERATION ♦ 5900 ELWIN BUCHANAN DRIVE ♦ SANFORD NC 27330

Phone: 1-800-997-3876 ♦ Fax: 919-775-3541 ♦ World Wide Web: www.zurn.com

In Canada: ZURN INDUSTRIES LLC. ♦ 3544 Nashua Drive ♦ Mississauga, Ontario L4V1L2 ♦ Phone: 905-405-8272 Fax: 905-405-1292



# Z5950

## Commercial Heavy Duty Toilet Seat

TAG \_\_\_\_\_



### Z5950 Series

#### Z5950 Series

- Injection molded for rugged, heavy duty use.
- Highly resistant to cleansers and strong chemicals
- Stainless steel check hinge
- Integrally molded bumpers for lasting durability

#### Options:

- BK** Black toilet seat
- STS** Self-sustaining stainless steel check hinge

This space is for Architectural/engineering Approval

*These dimensions and specifications are subject to change without notice.*

*Fixture dimensions meet ANSI/ASME standard A112.19.2 and CAN/CSA B45 requirements.*

See Zurn One Systems for suggested packages.

#### Engineering Specification:

- Z5955SS-EL** Elongated, standard white, open front toilet seat, less cover, with stainless steel check hinge.
- Z5955SS-AM** Elongated, standard white, open front toilet seat, less cover, with stainless steel check hinge and anti-microbial protection.
- Z5956SS-EL** Elongated, premium white, open front toilet seat, less cover, with stainless steel check hinge.
- Z5956SS-AM** Elongated, premium white, open front toilet seat, less cover, with stainless steel check hinge and anti-microbial protection.
- Z5957SS-EL** Elongated, white, open front toilet seat, with cover and stainless steel check hinge.
- Z5957SS-RD** Round, white, open front toilet seat, with cover and stainless steel check hinge.
- Z5958SS-EL** Elongated, white, closed front toilet seat, with cover and stainless steel check hinge.
- Z5958SS-RD** Round, white, closed front toilet seat, with cover and stainless steel check hinge.
- Z5959SS-JUV** White, open front child's toilet seat, less cover, with stainless steel check hinge.

**Zurn Plumbing Products Group** Commercial Brass and Fixtures Operation  
2640 South Work Street · Falconer, NY 14733 · Phone: 716-665-1132 · Fax: 716-665-1135 · www.zurn.com